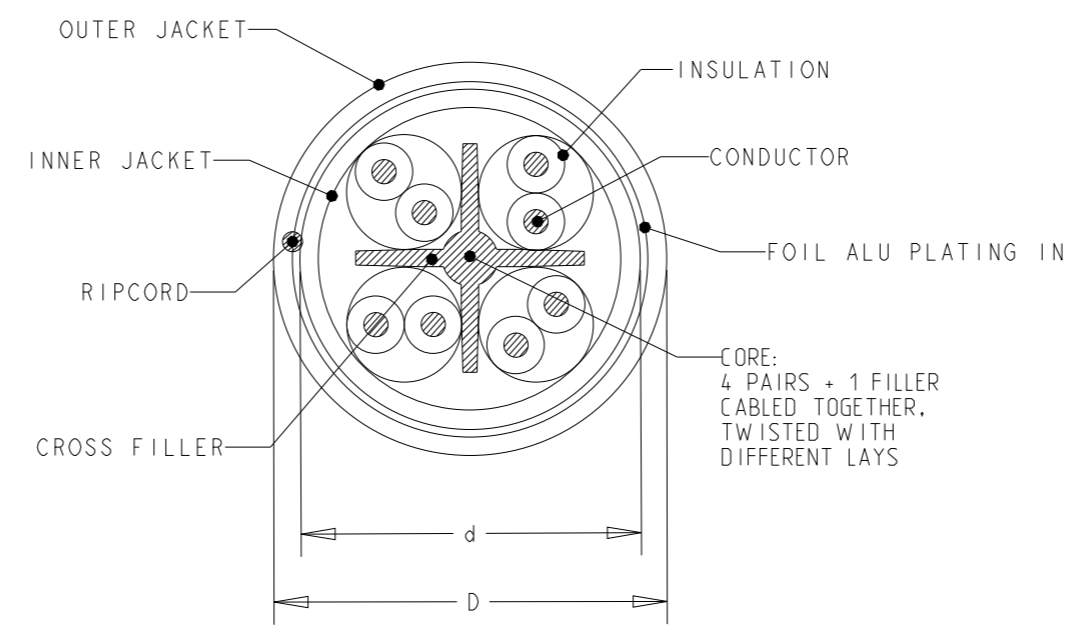


REVISIONS					
P	LTR	DESCRIPTION	DATE	DWN	APVD
	F	ECR-14-011029	31JUL2014	LD	JS

FINISHED CABLE DATA		
CONDUCTORS	WIRE AWG	24 AWG Solid
	Ø RANGE in mm	0,485<=Ø<0,546
	MATERIAL	COPPER
	PLATING	BARE
INSULATION	ELONGATION	15% PER EN 50288-1
	MATERIAL	POLYETHYLENE
CROSS FILLER	OVERALL DIAMETER NOM	1,03
	MATERIAL	POLYETHYLENE
RIPCORDER	MATERIAL	POLYESTER
BINDER	MATERIAL	POLYESTER TAPE
INNER JACKET	OVERALL DIAMETER (d)	OPTIONAL
	MATERIAL	LSFRZH
FOIL	OVERALL DIAMETER (D)	6,0
	MATERIAL	PLASTIC LAMINATED ALUMINUM FOIL
OUTER JACKET	OVERALL DIAMETER (D)	7,6
	MATERIAL	POLYETHYLENE
PULLING FORCE	MAX.	80 N

- REFER TO PRODUCT SPEC 108-93018 FOR ADDITIONAL REQUIREMENTS.
- BASENR SPECIFIC PRINT LEGEND INFO:
OUTDOOR CAT6 UTP SOLID PR04 AWG24 LSFRZH(d) PE(D)
- FIRE BEHAVIOUR. MEETS FOLLOWING STANDARDS:
 - FIRE RATING: IEC 60332-1-2
 - TOXICITY: IEC 60754-1
 - ACID GAS: IEC 60754-2
 - SMOKE DENSITY: IEC 61034-1
- TO BE USED IN OUTDOOR APPLICATIONS.
- FOIL IS NOT FOR SHIELDED PURPOSES. DO NOT TERMINATE TO CONNECTORS.



BLACK	1000	REEL	1711006-2
BLACK	500	REEL	1711006-1
COLOUR	LENGTH (METRES)	PACKAGE	PART NUMBER

THIS DRAWING IS A CONTROLLED DOCUMENT.		DWN	31Jul2014
		CHK	L. de Dios 31Jul2014
		APVD	A. Martinez 31Jul2014
		APVD	J. Sanabra 31Jul2014
DIMENSIONS: mm		PRODUCT SPEC	-
TOLERANCES UNLESS OTHERWISE SPECIFIED:		APPLICATION SPEC	-
0 PLC ±-		WEIGHT	-
1 PLC ±-			
2 PLC ±-			
3 PLC ±-			
4 PLC ±-			
ANGLES ±-			
MATERIAL	FINISH		
-	-		
-	-		

STE TE Connectivity			
NAME CABLE, OUTDOOR, CAT6, UTP, SOLID, PR04, AWG24, LSFRZH(d) PE(D)			
SIZE	CAGE CODE	DRAWING NO	RESTRICTED TO
A3	-	©-1711006	-
Customer Drawing		SCALE	SHEET 1 OF 1 REV F
		NTS	