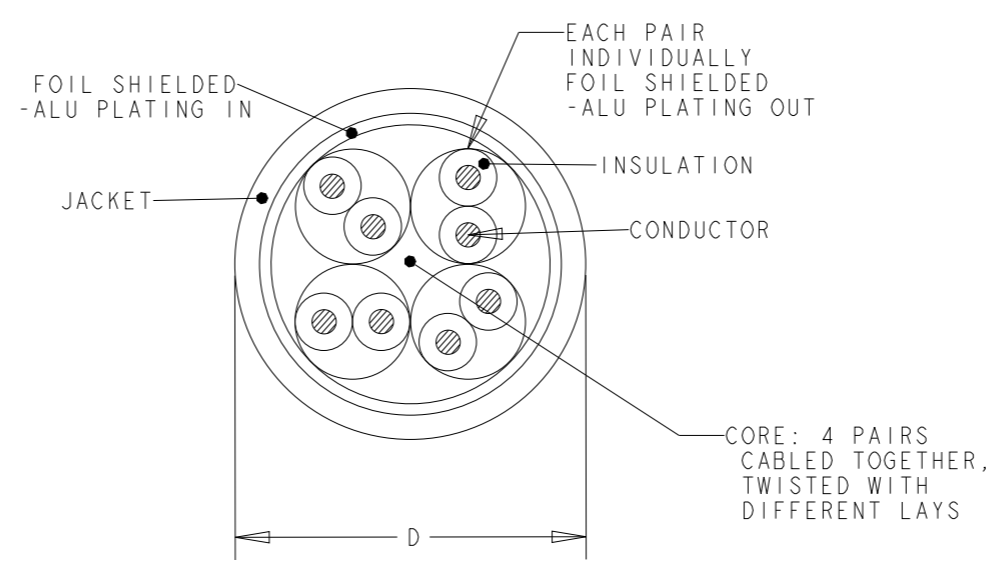


| LOC | DIST | REVISIONS | | | |
|-----|------|---------------|---------|-----|------|
| P | LTR | DESCRIPTION | DATE | DWN | APVD |
| | F | ECR-13-001941 | 13Feb13 | LD | JS |

| FINISHED CABLE DATA | | |
|------------------------|----------------------|---------------------------------|
| CONDUCTORS | WIRE AWG | 23 AWG Solid |
| | Ø RANGE in mm | 0,546 <= Ø < 0,610 |
| | MATERIAL | COPPER |
| | PLATING | BARE |
| ELONGATION | 15% PER EN 50288-1 | |
| | | |
| INSULATION | MATERIAL | POLYETHYLENE |
| | OVERALL DIAMETER | 1,35 |
| DRAIN WIRE | Ø RANGE | 0,4 - 0,55 |
| | MATERIAL | COPPER |
| | PLATING | TINNED |
| | ELONGATION | 15% PER EN 50288-1 |
| BINDER | POLYESTER TAPE | OPTIONAL |
| INDIVIDUAL PAIR SCREEN | MATERIAL | PLASTIC LAMINATED ALUMINUM FOIL |
| OVERALL SHIELD | FOIL MATERIAL | PLASTIC LAMINATED ALUMINUM FOIL |
| OVERALL SHIELD | BRAID MATERIAL | - |
| | PLATING | - |
| | COVERAGE | - |
| | ELONGATION | - |
| JACKET | MATERIAL | LSZH |
| | OVERALL DIAMETER (D) | 7,3 |
| PULLING FORCE | MAX. | 100 N |

- REFER TO PRODUCT SPEC 108-93018 FOR ADDITIONAL REQUIREMENTS.
- BASENR SPECIFIC PRINT LEGEND INFO:
CAT6 F/FTP SOLID PR04 AWG23 LSZH
- CABLE COLORED TYPES UPON REQUEST.



| GREEN | 1000 | REEL | 1711007-3 |
|--------|-----------------|---------|-------------|
| WHITE | 1000 | REEL | 1711007-2 |
| WHITE | 500 | REEL | 1711007-1 |
| COLOUR | LENGTH (METRES) | PACKAGE | PART NUMBER |

| | | | | |
|--|----|------------------|------------|---------|
| THIS DRAWING IS A CONTROLLED DOCUMENT. | | DWN | L. de Dios | 13Feb13 |
| DIMENSIONS: mm | | CHK | M. Maqueda | 13Feb13 |
| TOLERANCES UNLESS OTHERWISE SPECIFIED: | | APVD | J. Sanabra | 13Feb13 |
| 0 PLC | ±- | PRODUCT SPEC | | |
| 1 PLC | ±- | APPLICATION SPEC | | |
| 2 PLC | ±- | WEIGHT | | |
| 3 PLC | ±- | CUSTOMER DRAWING | | |
| 4 PLC | ±- | SCALE NTS | | |
| ANGLES | ±- | SHEET 1 OF 1 | | |
| FINISH | - | REV F | | |

| | | | |
|---|-----------|------------|---------------|
| TE TE Connectivity | | | |
| NAME CABLE, CAT6, F/FTP, PIMF250 COMPACT, SOLID, PR04, AWG23, LSZH | | | |
| SIZE | CAGE CODE | DRAWING NO | RESTRICTED TO |
| A3 | - | ©-1711007 | - |