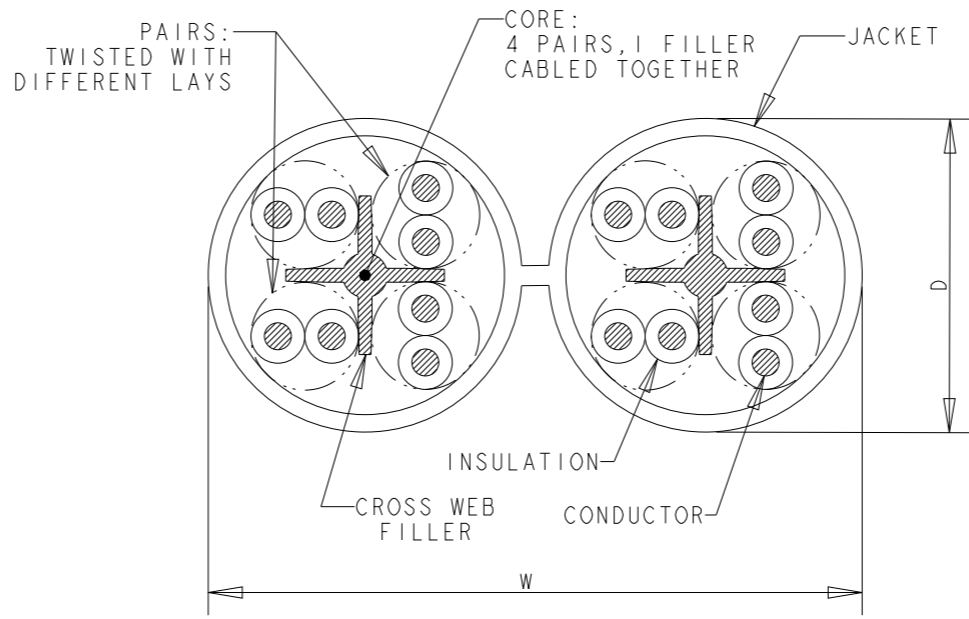


LOC	DIST	REVISIONS			
P	LTR	DESCRIPTION	DATE	DWN	APVD
1K	2	E	ECR-13-006545	18Apr2013	LD JS

FINISHED CABLE DATA		
CONDUCTORS	WIRE AWG	23 AWG Solid
	Ø RANGE in mm	0,546<=Ø<0,610
	MATERIAL	COPPER
	PLATING	BARE
ELONGATION	15% PER EN 50288-1	
INSULATION	MATERIAL	POLYETHYLENE
	OVERALL DIAMETER	0,95
DRAIN WIRE	WIRE AWG	-
	MATERIAL	-
	PLATING	-
	ELONGATION	-
BINDER	POLYESTER TAPE	OPTIONAL
INDIVIDUAL PAIR SCREEN	MATERIAL	-
OVERALL SHIELD	FOIL MATERIAL	-
	BRAID MATERIAL	-
OVERALL SHIELD	PLATING	-
	COVERAGE	-
	ELONGATION	-
JACKET	MATERIAL	LSZH
	OVERALL DIAMETER (D)	6,2 x 13,0 mm
PULLING FORCE	MAX.	90 N

- REFER TO PRODUCT SPEC 108-93018 FOR ADDITIONAL REQUIREMENTS.
- BASENR SPECIFIC PRINT LEGEND INFO:  
CAT6 UTP SOLID PR04X2 AWG23 LSZH



WHITE	500	REEL	1711053-1
COLOUR	LENGTH (METRES)	PACKAGE	PART NUMBER

THIS DRAWING IS A CONTROLLED DOCUMENT.		DWN	L. de Dios	18Apr2013	 TE Connectivity NAME CABLE, CAT6, UTP, SOLID, DUAL PR04X2, AWG23, LSZH	
DIMENSIONS: mm		CHK	M. Maqueda	18Apr2013		
TOLERANCES UNLESS OTHERWISE SPECIFIED:		APVD	J. Sanabra	18Apr2013		
0 PLC ±- 1 PLC ±- 2 PLC ±- 3 PLC ±- 4 PLC ±- ANGLES ±-		PRODUCT SPEC	-	-		
MATERIAL	-	FINISH	-	-	APPLICATION SPEC	-
-		WEIGHT	-	-	SIZE	A3
-		CUSTOMER DRAWING		SCALE	NTS	SHEET 1 OF 1
-		-		RESTRICTED TO	-	REV E