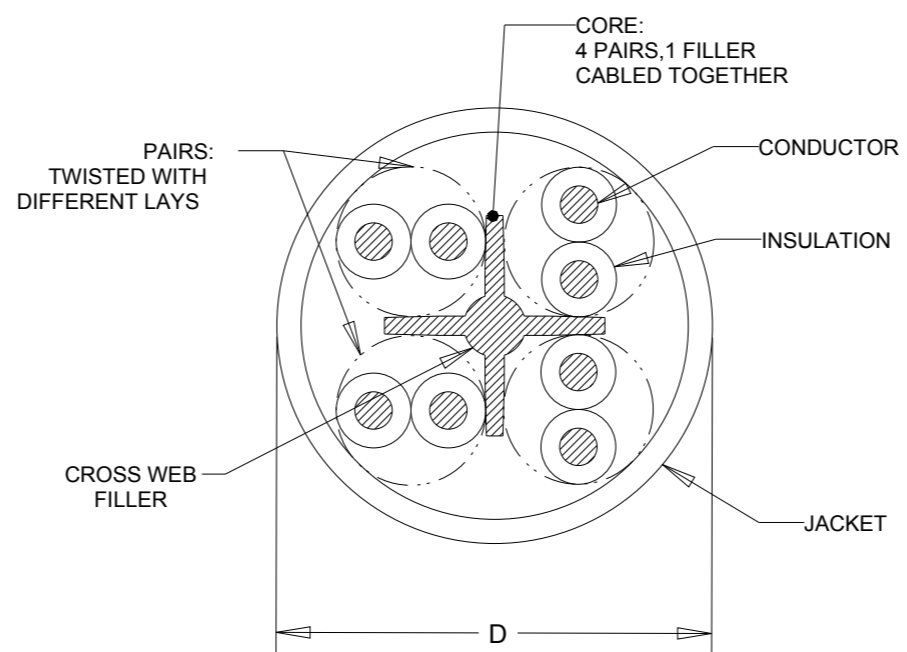


THIS DRAWING IS UNPUBLISHED  
 RELEASED FOR PUBLICATION 2015  
 © COPYRIGHT 2000 TE Connectivity AMP España, S.L.U. ALL RIGHTS RESERVED.

REVISIONS					
P	LTR	DESCRIPTION	DATE	DWN	APVD
	P	REV; MCO-40027857MCO	05FEB2016	HG	PJ

FINISHED CABLE DATA		
CONDUCTORS	WIRE AWG	24 AWG Solid
	Ø RANGE in mm	0,485<del>Ø</del> <0,546
	MATERIAL	COPPER
	PLATING	BARE
ELONGATION	15% PER EN 50288-1	
INSULATION	MATERIAL	POLYETHYLENE
	OVERALL DIAMETER	0,95
DRAIN WIRE	WIRE AWG	-
	MATERIAL	-
	PLATING	-
	ELONGATION	-
BINDER	POLYESTER TAPE	OPTIONAL
INDIVIDUAL PAIR SCREEN	MATERIAL	-
OVERALL SHIELD	FOIL MATERIAL	-
OVERALL SHIELD	BRAID MATERIAL	-
	PLATING	-
	COVERAGE	-
ELONGATION	-	
JACKET	MATERIAL	LSZH
	OVERALL DIAMETER (D)	5,7 mm
PULLING FORCE	MAX.	90 N

- REFER TO PRODUCT SPEC 108-93018 FOR ADDITIONAL REQUIREMENTS.
- CABLE PRINT LEGEND:  
 CAT6 UTP SOLID PR04 LSZH (P/N IN 1-7-1 FORMAT) MADE IN  
 (MANUFACTURING COUNTRY FULLY WRITTEN OUT).



ACTIVE	WHITE	305	REEL BOX	7-219585-2
ACTIVE	WHITE	305	PULL BOX	6-219585-2
ACTIVE	WHITE	500	REEL	4-219585-1
	WHITE	1000	REEL	219585-3
	WHITE	305	REEL BOX	219585-2
ACTIVE	WHITE	305	REEL	219585-1
STATUS	COLOUR	LENGTH (METRES)	PACKAGE	PART NUMBER

THIS DRAWING IS A CONTROLLED DOCUMENT.		DWN L. de Dios 25Jul2014	TE Connectivity													
DIMENSIONS: mm		CHK A. Martinez 25Jul2014														
TOLERANCES UNLESS OTHERWISE SPECIFIED:		APVD J. Sanabra 25Jul2014	NAME CABLE, CAT6, UTP, SOLID, PR04, AWG24, LSZH													
<table border="0"> <tr><td>0 PLC</td><td>±-</td></tr> <tr><td>1 PLC</td><td>±-</td></tr> <tr><td>2 PLC</td><td>±-</td></tr> <tr><td>3 PLC</td><td>±-</td></tr> <tr><td>4 PLC</td><td>±-</td></tr> <tr><td>ANGLES</td><td>±-</td></tr> </table>		0 PLC	±-	1 PLC	±-	2 PLC	±-	3 PLC	±-	4 PLC	±-	ANGLES	±-	PRODUCT SPEC -	SIZE <b>A3</b>	
0 PLC	±-															
1 PLC	±-															
2 PLC	±-															
3 PLC	±-															
4 PLC	±-															
ANGLES	±-															
MATERIAL -		APPLICATION SPEC -	CAGE CODE -	DRAWING NO C-219585												
FINISH -		WEIGHT -	RESTRICTED TO -													
CUSTOMER DRAWING			SCALE NTS	SHEET 1 OF 1												
			REV S													