

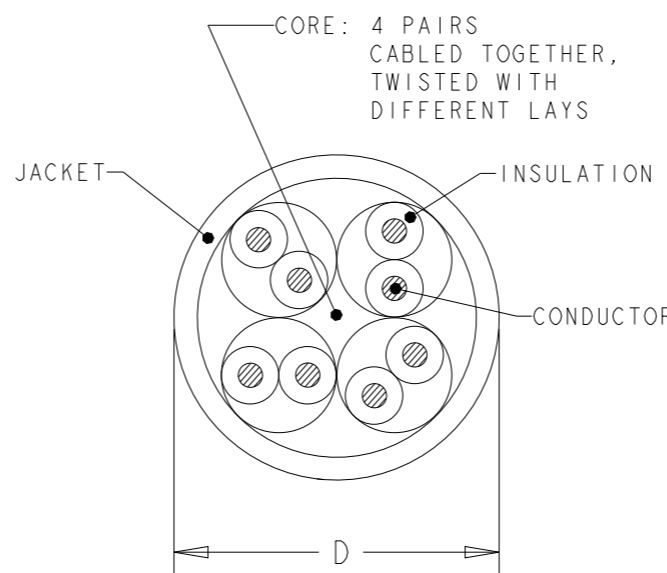
THIS DRAWING IS UNPUBLISHED. RELEASED FOR PUBLICATION 2013
 © COPYRIGHT 1998 TE Connectivity AMP España, S.L.U. ALL RIGHTS RESERVED.

LOC	DIST	REVISIONS			
P	LTR	DESCRIPTION	DATE	DWN	APVD
	H2	Updated	16MAR2009	LD	JS
	J	ECR-12-006788	17APR2012	LD	JS
	J1	Updated	07MAR2013	LD	JS

FINISHED CABLE DATA

CONDUCTORS	WIRE AWG	24 AWG Solid
	Ø RANGE in mm	0,485<=Ø<0,546
	MATERIAL	COPPER
	PLATING	BARE
	ELONGATION	15% PER EN 50288-1
INSULATION	MATERIAL	POLYETHYLENE
	OVERALL DIAMETER	0,95
DRAIN WIRE	WIRE AWG	-
	MATERIAL	-
	PLATING	-
	ELONGATION	-
BINDER	POLYESTER TAPE	OPTIONAL
INDIVIDUAL PAIR SCREEN	MATERIAL	-
OVERALL SHIELD	FOIL MATERIAL	-
OVERALL SHIELD	BRAID MATERIAL	-
	PLATING	-
	COVERAGE	-
	ELONGATION	-
JACKET	MATERIAL	LSZH
	OVERALL DIAMETER (D)	5,0 mm
PULLING FORCE	MAX.	80 N

- REFER TO PRODUCT SPEC 108-93018 FOR ADDITIONAL REQUIREMENTS.
- CABLE PRINT LEGEND:
CAT5E UTP SOLID PR04 AWG24 LSZH
- CABLE COLORED TYPES UPON REQUEST.



WHITE	500	REEL	1-57538-7
WHITE	305	REEL BOX	1-57538-6
WHITE	1000	REEL	57538-3
WHITE	305	PULL BOX	57538-2
WHITE	305	REEL	57538-1
COLOUR	LENGTH (METRES)	PACKAGE	PART NUMBER

THIS DRAWING IS A CONTROLLED DOCUMENT.		DWN L. de Dios 17Apr12	TE Connectivity CABLE, CAT5E, UTP, SOLID, PR04, AWG24, LSZH	
DIMENSIONS: mm		CHK M. Maqueda 17Apr12		
		APVD J. Sanabra 17Apr12		
TOLERANCES UNLESS OTHERWISE SPECIFIED:		PRODUCT SPEC	NAME	
0 PLC ±-	1 PLC ±-	-	-	
2 PLC ±-	3 PLC ±-	APPLICATION SPEC	-	
4 PLC ±-	ANGLES ±-	-	SIZE	CAGE CODE
MATERIAL -	FINISH -	WEIGHT -	A3	-
CUSTOMER DRAWING			DRAWING NO	RESTRICTED TO
			©-57538	-
			SCALE NTS	SHEET 1 OF 1
			REV	J1