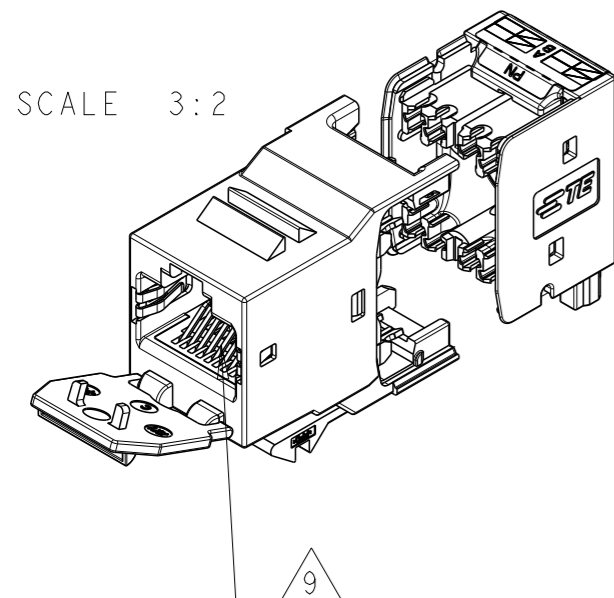
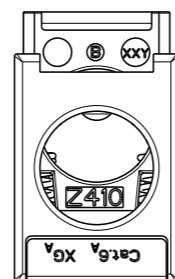


REVISIONS

P	LTR	DESCRIPTION	DATE	DWN	APVD
	B2	Note 9: Clarified/Compatibility	10JUN2014	ACG	JS



SCALE 3:2



COLOR CODING / LABELING

1. MATERIAL:

- FRONT AND REAR HOUSING, CABLE CLAMP: ZAMAK 5. (Z410).
- IDC CONNECT BLOCK, DUST COVER AND LACING FIXTURE: POLYCARBONATE.
- OTHER PLASTIC PARTS: HIGH TEMPERATURE PLASTIC.
- CUTTING BLADE, SPRINGS AND SHIELD CONTACT POINT: STAINLESS STEEL.
- JACK CONTACTS: PHOSPHOROUS BRONZE, PLATED WITH 1.27 μ m MINIMUM THICK GOLD IN LOCALIZED AREA AND 3.81 μ m MINIMUM THICK MATTE TIN IN SOLDER AREA OVER 1.27 μ m MINIMUM THICK NICKEL UNDERPLATE.
- IDC TERMINALS: PHOSPHOROUS BRONZE, PLATED WITH 3.81 μ m MINIMUM THICK MATTE TIN OVER 1.27 MINIMUM THICK NICKEL UNDERPLATE.

2. AMP-TWIST 6AS SL JACK WILL TERMINATE:

- SOLID CONDUCTORS: 22-24 AWG.
- STRANDED CONDUCTORS: 24 AWG.
- MAX. INSULATION DIAMETER: \varnothing 1.60 mm.
- MAX. CABLE JACKET: \varnothing 9.00 mm.

3. JACK INTERFACE DIMENSIONS ACCORDING TO IEC 60603-7-5 last Ed.

4. MOUNTING PANEL THICKNESS 1.47-1.60 mm. (SEE SUGGESTED CUTOUT).

5 SUGGESTED CUTOUT OPENING.

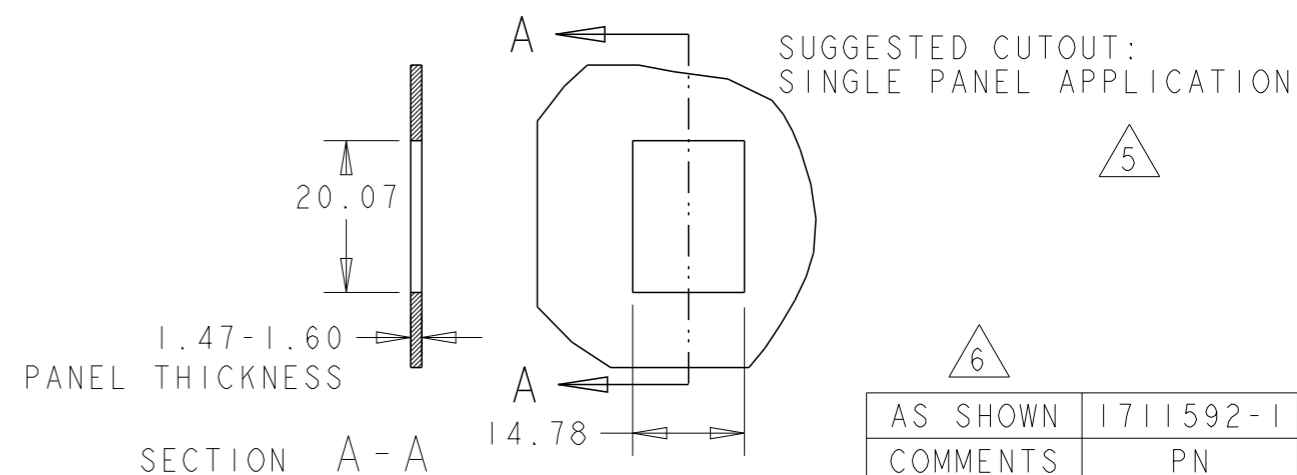
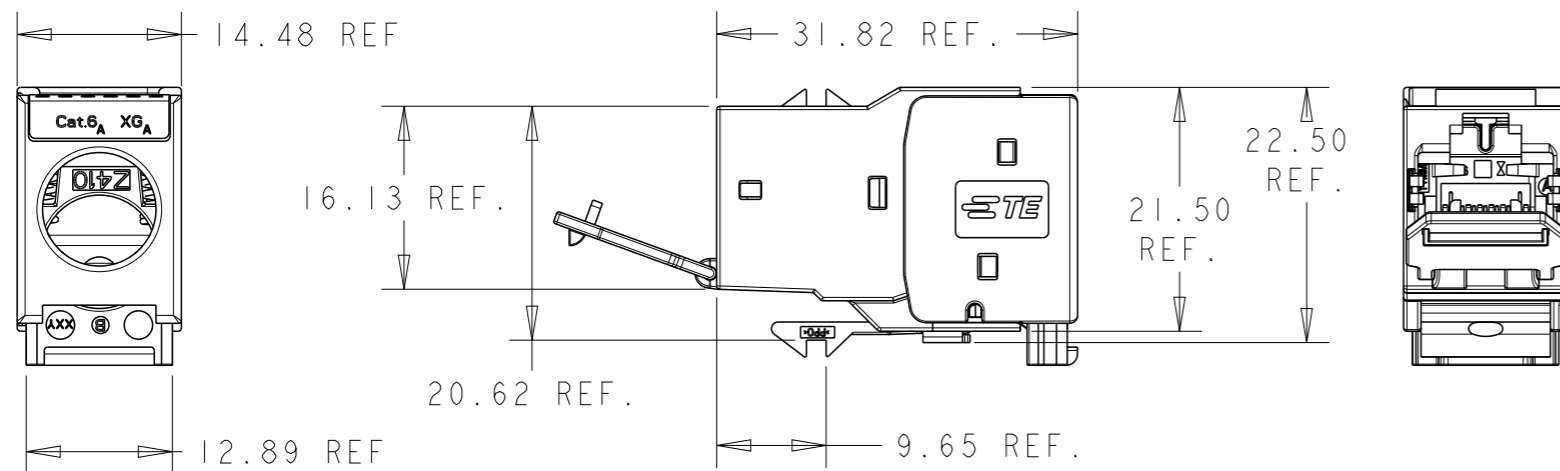
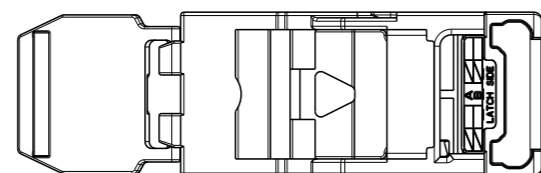
6 PACKAGING: REFER TO ADEQUATE TE PACKAGING SPEC:
• DASH 1: PVC TRAY PACKAGING.
• DASH 6/1: INDIVIDUAL BAG PACKAGING.

7. •FOR TERMINATION PROCESS USE SL SERIES TOOL PN 1725150-3.
• REFER TO APPLICATION SPEC. 114-93016 FOR DUST COVER REPLACEMENT.

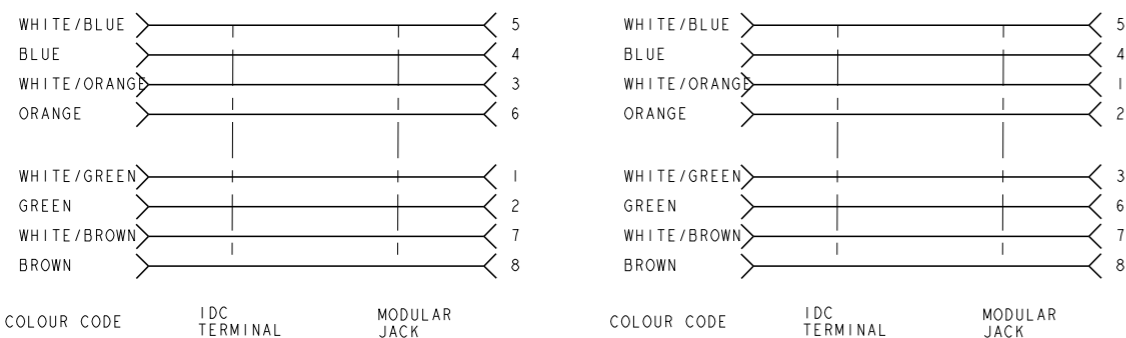
8. DIMENSIONS SHOWN ARE FOR REFERENCE ONLY.

9 THIS INTERCONNECT MEETS THE REQUIREMENTS OF IEC 60603-7:

- > RJ45 COMPATIBLE WITH RJ PLUGS: 6 POSITIONS 6 CONDUCTORS; 6P6C.
- > RJ45 NOT COMPATIBLE WITH ANY VERSION OF PLUG PARTIALLY LOADED (i.e. 6P2C, 8P6C,...)



ELECTRICAL SCHEMATIC: WIRING T568 A/B



THIS DRAWING IS A CONTROLLED DOCUMENT.

DIMENSIONS:	TOLERANCES UNLESS OTHERWISE SPECIFIED:
mm	
0 PLC	\pm -
1 PLC	\pm 0.20
2 PLC	\pm 0.10
3 PLC	\pm -
4 PLC	\pm -
ANGLES	\pm -
MATERIAL	FINISH
-	-
-	-

DWN	07MAY2009
A. CARRERAS	
CHK	07MAY2009
L. DE DIOS	
APVD	28AUG2009
J. SANABRA	
PRODUCT SPEC	108-93028
APPLICATION SPEC	411-93016
WEIGHT	-
Customer Drawing	

		TE Connectivity	
		NAME	
AMP-TWIST 6AS SL JACK WITH DUST COVER		SIZE	CAGE CODE
-		DRAWING NO	RESTRICTED TO
-		A3	-
-		©-1711592	-
SCALE		SHEET	OF
2:1		1	1
REV		B2	