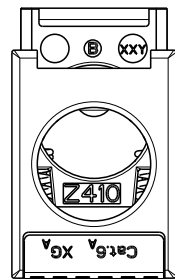
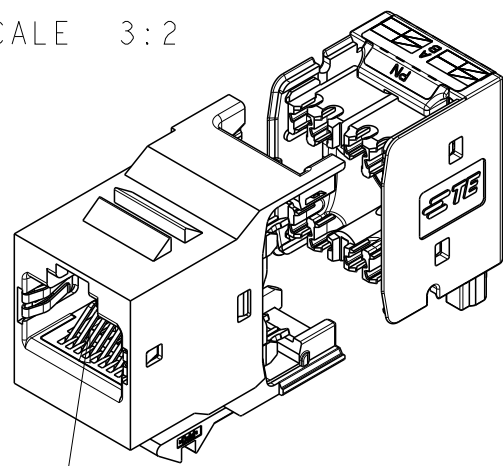


REVISIONS

P	LTR	DESCRIPTION	DATE	DWN	APVD
B1		NOTE 1: UPDATED. NEW NOTE 9.	14JAN2013	ACG	JS
B2		Note 9: Clarified/Compatibility.	10JUN2014	ACG	JS

SCALE 3:2



COLOR CODING/  
LABELING

1. MATERIAL:

- FRONT AND REAR HOUSING, CABLE CLAMP: ZAMAK 5. (Z410).
- IDC CONNECT BLOCK AND LACING FIXTURE: POLYCARBONATE.
- OTHER PLASTIC PARTS: HIGH TEMPERATURE PLASTIC.
- CUTTING BLADE, SPRINGS AND SHIELD CONTACT POINT: STAINLESS STEEL.
- JACK CONTACTS: PHOSPHOROUS BRONZE, PLATED WITH 1.27  $\mu$ m MINIMUM THICK GOLD IN LOCALIZED AREA AND 3.81  $\mu$ m MINIMUM THICK MATTE TIN IN SOLDER AREA OVER 1.27  $\mu$ m MINIMUM THICK NICKEL UNDERPLATE.
- IDC TERMINALS: PHOSPHOROUS BRONZE, PLATED WITH 3.81  $\mu$ m MINIMUM THICK MATTE TIN OVER 1.27 MINIMUM THICK NICKEL UNDERPLATE.

2. AMP-TWIST 6AS SL JACK WILL TERMINATE:

- SOLID CONDUCTORS: 22-24 AWG.
- STRANDED CONDUCTORS: 24 AWG.
- MAX. INSULATION DIAMETER:  $\varnothing$ 1.60 mm.
- MAX. CABLE JACKET:  $\varnothing$ 9.00 mm.

3. JACK INTERFACE DIMENSIONS ACCORDING TO IEC 60603-7-5 last Ed.

4. MOUNTING PANEL THICKNESS 1.47-1.60 mm. (SEE SUGGESTED CUTOUT).

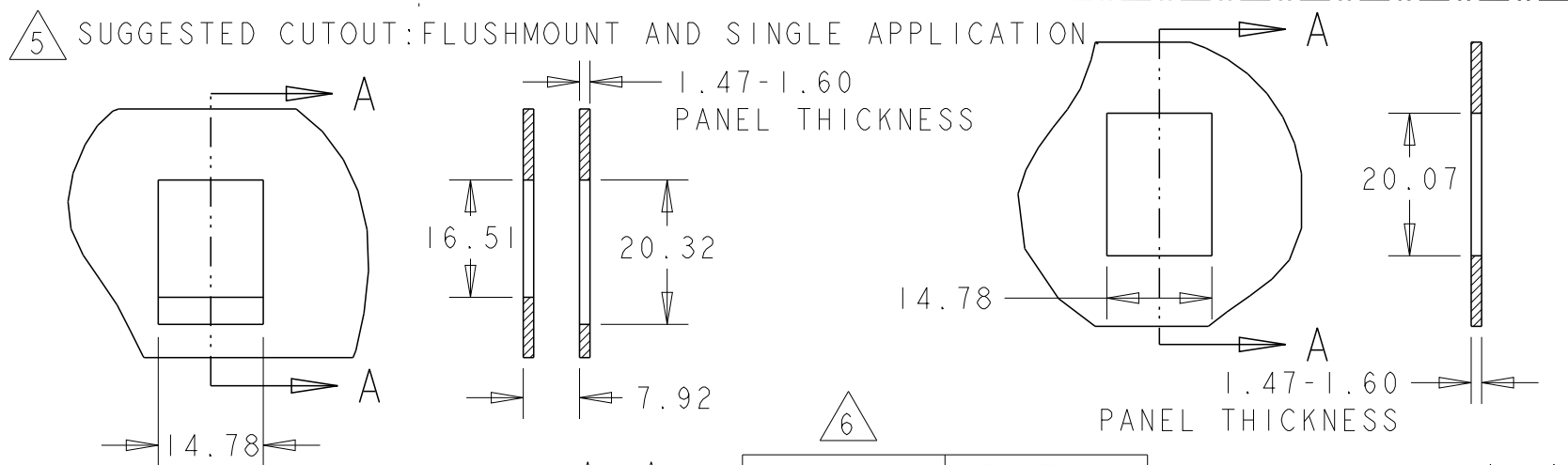
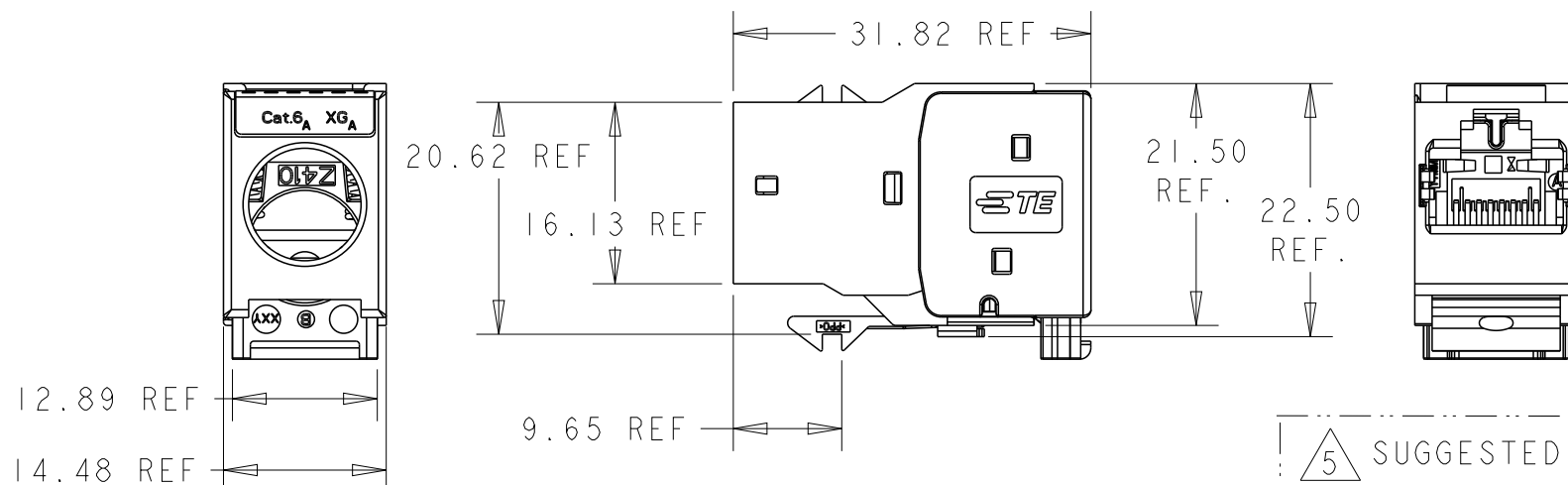
5 SUGGESTED CUTOUT OPENING.

6 PACKAGING: REFER TO ADEQUATE TE PACKAGING SPEC:  
 • DASH 1: PVC TRAY PACKAGING.  
 • DASH 6/1: INDIVIDUAL BAG PACKAGING.

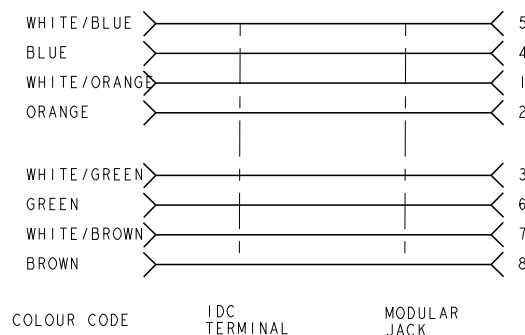
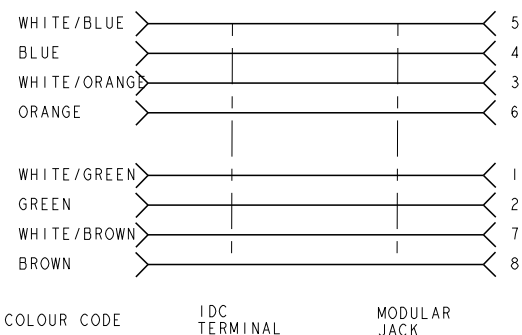
7. \*FOR TERMINATION PROCESS USE SL SERIES TOOL PN 1725150-3.

8. DIMENSIONS SHOWN ARE FOR REFERENCE ONLY.

9 THIS INTERCONNECT MEETS THE REQUIREMENTS OF IEC 60603-7:  
 > RJ45 COMPATIBLE WITH RJ PLUGS: 6 POSITIONS 6 CONDUCTORS; 6P6C.  
 > RJ45 NOT COMPATIBLE WITH ANY VERSION OF PLUG PARTIALLY LOADED (i.e. 6P2C, 8P6C,...)



ELECTRICAL SCHEMATIC: WIRING T568 A/B



THIS DRAWING IS A CONTROLLED DOCUMENT.

DIMENSIONS:	TOLERANCES UNLESS OTHERWISE SPECIFIED:
mm	
0 PLC	±-
1 PLC	±0.20
2 PLC	±0.10
3 PLC	±-
4 PLC	±-
ANGLES	±-
MATERIAL	FINISH
-	-
-	-

DWN	07MAY2009
A. CARRERAS	
CHK	07MAY2009
L. de DIOS	
APVD	12NOV2009
J. SANABRA	
PRODUCT SPEC	108-93028
APPLICATION SPEC	411-93016
WEIGHT	-
Customer Drawing	

AS SHOWN		1711716-1	
COMMENTS		PN	
<b>STE</b> TE Connectivity			
AMP-TWIST 6AS SL JACK W/O DUST COVER			
SIZE	CAGE CODE	DRAWING NO	RESTRICTED TO
A3	--	C-1711716	-
SCALE 1:1		SHEET 1 OF 1	
		REV B2	