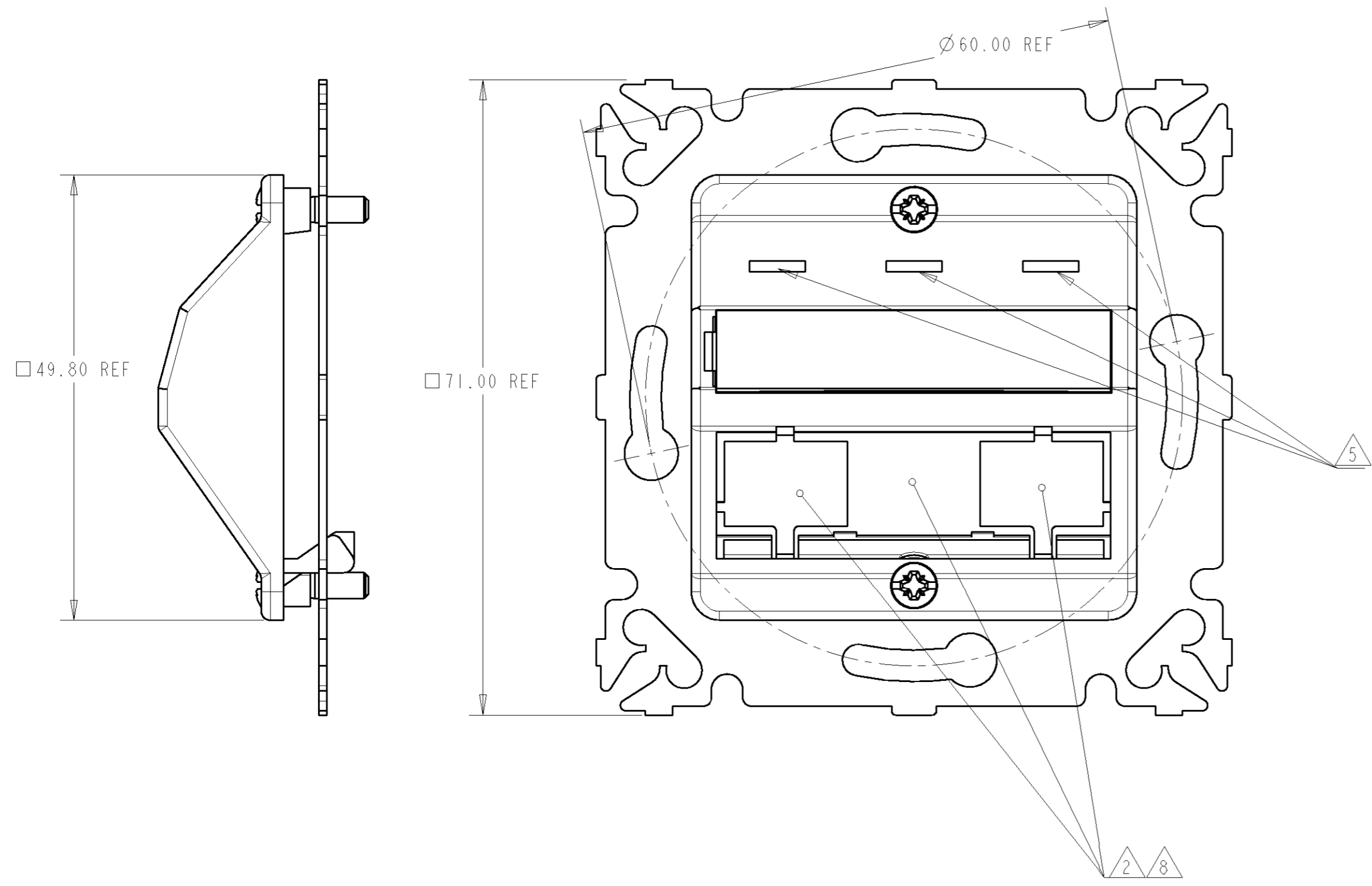


THIS DRAWING IS UNPUBLISHED. RELEASED FOR PUBLICATION 2002  
 © COPYRIGHT 2002 BY TYCO ELECTRONICS CORPORATION. ALL RIGHTS RESERVED.

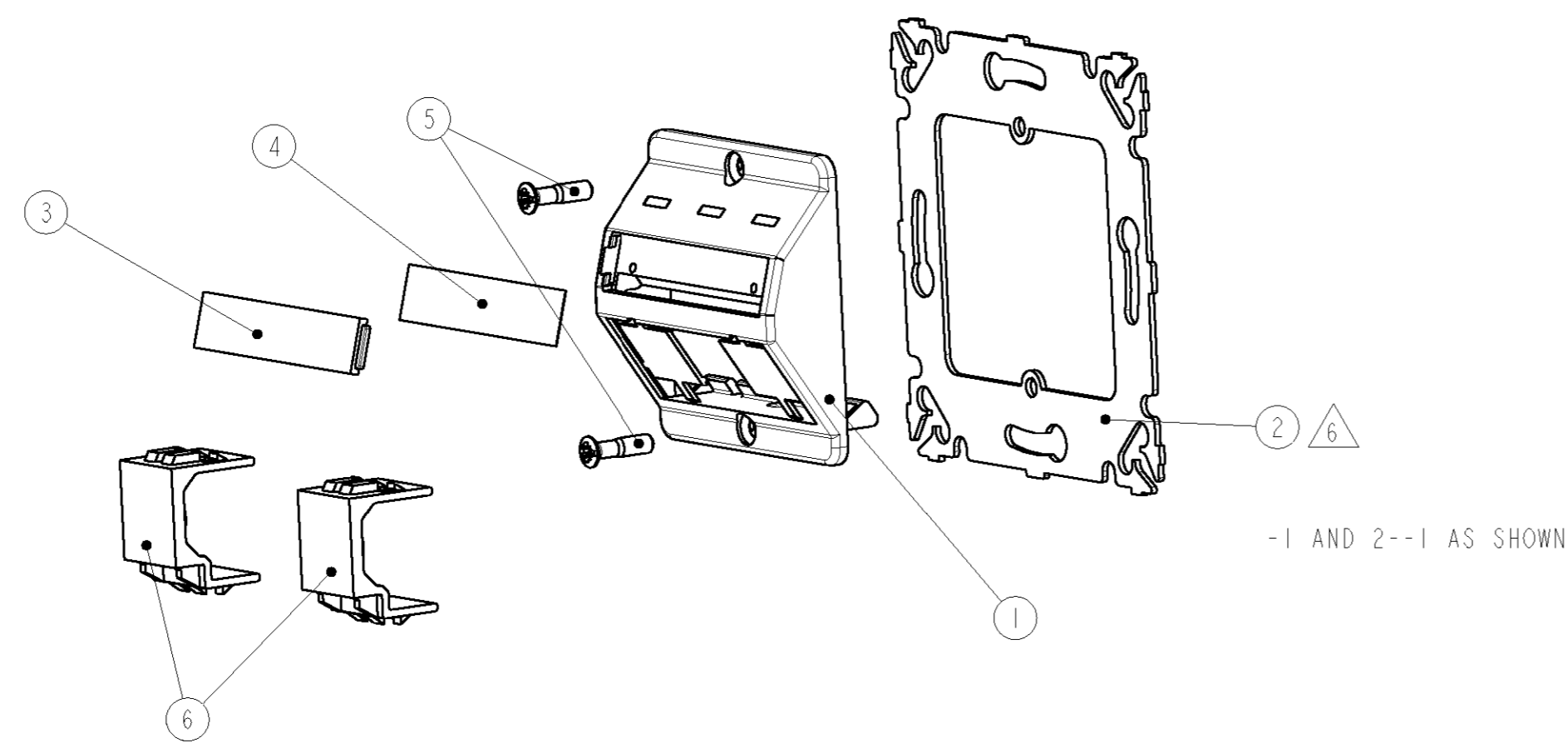
| REVISIONS |     |                     |           |     |      |
|-----------|-----|---------------------|-----------|-----|------|
| P         | LTR | DESCRIPTION         | DATE      | DWN | APVD |
| A         |     | FIRST ISSUE         | 25APR2001 | ACG | -    |
| B         |     | ADDED CHANGES       | 22MAR2002 | ACG | -    |
| C         |     | SEE EC ES00-0157-02 | 25NOV2002 | ACG | -    |
| CI        |     | SEE EC ESE0-0045-03 | 02JUL2003 | ACG | JS   |



- 1 PACKAGING UNIT:  
1 KIT PACKED INTO 1 BAG;  
AND 10 BAGS + 1 APPLICATION SPEC. PACKED INTO 1 CARDBOARD BOX.
- 2 OPENINGS WILL ACCEPT AMP NETCONNECT SL SERIES;  
TOOLLESS AND 110 JACKS (UNSHIELDED AND SHIELDED) AND BLANK INSERTS.
- 3. DIMENSIONS ARE SHOWN FOR REFERENCE ONLY.
- 4. LABEL (ITEM 4) AND LABEL COVER (ITEM 3) NOT ASSEMBLED WITH THE FACEPLATE.
- 5 ICONABLE ZONE.
- 6 ITEM 2 ACCORDING TO STANDARDS.
- 7. SL SERIES CONNECTORS: ORDERED SEPARATELY.  
PLASTIC FRAME: ORDERED SEPARATELY.  
SL BLANK INSERT (ITEM 6): INCLUDED IN KIT.
- 8 BREAKABLE BLANK TAP.

- 1 UNIDAD DE EMBALAJE:  
1 CONJUNTO EMBALADO EN 1 BOLSA;  
Y 10 BOLSAS + 1 ESPECIFICACION DE APLICACION EMBALADAS EN UNA CAJA.
- 2 LAS ABERTURAS ACEPTAN LAS SERIES SL DE AMP NETCONNECT;  
TOOLLESS Y 110 JACKS (UNSHIELDED/SHIELDED) Y INSERTS CIEGOS.
- 3. LAS DIMENSIONES MOSTRADAS SON SOLO DE REFERENCIA.
- 4. LABEL (ITEM 4) AND LABEL COVER (ITEM 3) NO IRAN MONTADOS EN EL FACEPLATE.
- 5 ZONA PARA UBICAR ICONOS.
- 6 ITEM 2 DE ACUERDO A STANDARDS.
- 7. CONECTORES DE LA SERIE SL: NO INCLUIDOS EN EL KIT.  
PLASTIC FRAME: NO INCLUIDO EN EL KIT.  
SL BLANK INSERT (ITEM 6): INCLUIDO EN EL KIT.
- 8 TAPETA ROMPIBLE.

EXPLODED VIEW  
SCALE 1:1



| QTY. REQUIRED PER KIT |      | MATERIAL | DESCRIPTION                       | ITEM N° |
|-----------------------|------|----------|-----------------------------------|---------|
| 1/10                  | 1/10 | PAPER    | APPLICATION SPEC.                 | --      |
| -                     | 2    | ABS      | INSERT, BLANK, SL SERIES, ALMOND  | 6       |
| 2                     | -    | ABS      | INSERT, BLANK, SL SERIES, WHITE   | 6       |
| 2                     | 2    | STEEL    | FACEPLATE SCREW (M3)              | 5       |
| 1                     | 1    | PAPER    | SET OF 5 LABELS (9 mm)            | 4       |
| 1                     | 1    | PC       | LABEL COVER                       | 3       |
| 1                     | 1    | STEEL    | SHEET METAL FRAME, 71x71          | 2       |
| -                     | 1    | PC       | FACEPLATE 50x50, ALMOND; RAL 1013 | 1       |
| 1                     | -    | PC       | FACEPLATE 50x50, WHITE: RAL 9010  | 1       |
| -21                   | -1   |          |                                   |         |

|                       |  |                                                                                                                       |                                                  |                                                                                              |                                                       |
|-----------------------|--|-----------------------------------------------------------------------------------------------------------------------|--------------------------------------------------|----------------------------------------------------------------------------------------------|-------------------------------------------------------|
| DIMENSIONS:<br>mm<br> |  | TOLERANCES UNLESS OTHERWISE SPECIFIED:<br>0 PLC ±<br>1 PLC ±<br>2 PLC ±<br>3 PLC ±<br>4 PLC ±<br>ANGLES ±<br>FINISH - |                                                  | DWN 25APR2001<br>A. CARRERAS<br>CHK 21MAR2002<br>E. FRIAS<br>APVD 02JUL2003<br>J. SANABRA    | tyco electronics AMP España S.A.<br>Barcelona, Spain. |
| MATERIAL SEE TABLE    |  | PRODUCT SPEC<br>-<br>APPLICATION SPEC<br>114-22025<br>WEIGHT -                                                        |                                                  | NAME 3 PORT DIN INSTALLATION KIT,<br>FOR AMP NETCONNECT SL VERSION,<br>WITHOUT PLASTIC FRAME |                                                       |
| CUSTOMER DRAWING      |  | SIZE A2<br>CAGE CODE 00779<br>DRAWING NO. 336613                                                                      | RESTRICTED TO -<br>SCALE 2:1 SHEET 1 OF 1 REV C1 |                                                                                              |                                                       |