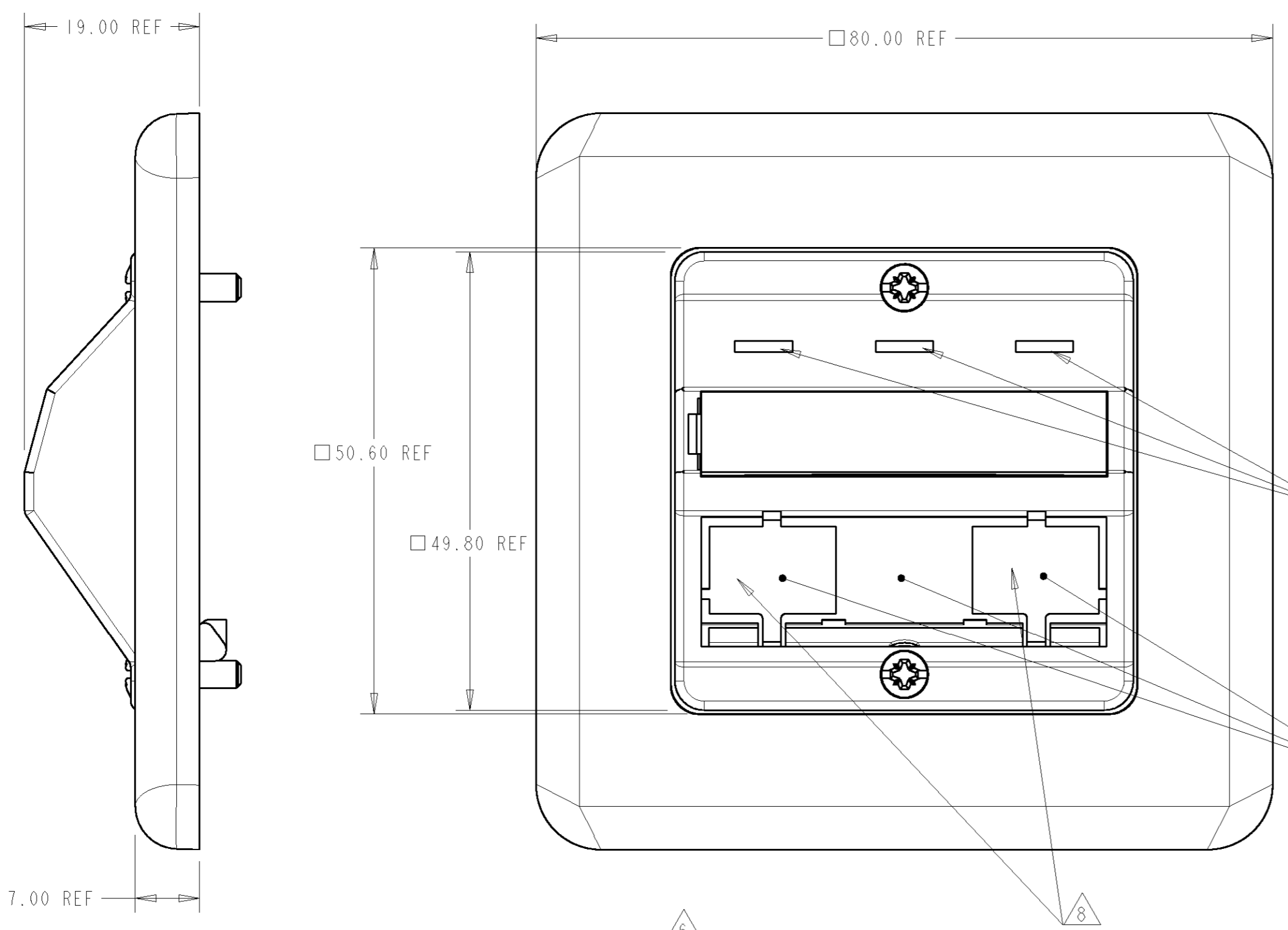


THIS DRAWING IS UNPUBLISHED. RELEASED FOR PUBLICATION 2002
 © COPYRIGHT 2002 BY TYCO ELECTRONICS CORPORATION. ALL RIGHTS RESERVED.

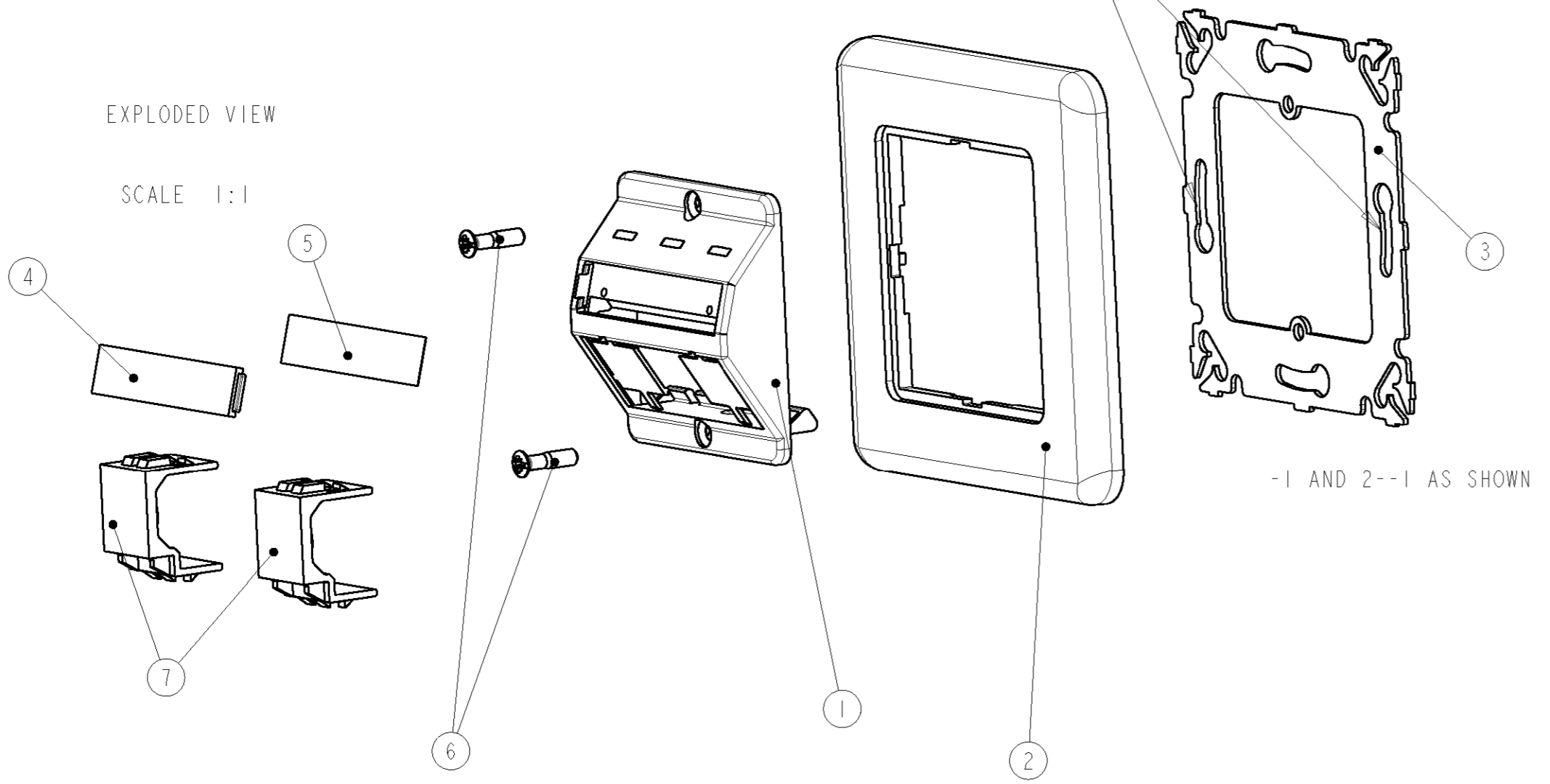
LOC	DIST	REVISIONS					
		P	LTR	DESCRIPTION	DATE	DWN	APVD
1K	2		A	FIRST ISSUE	25APR2001	ACG	-
			B	ADDED CHANGES	22MAR2002	ACG	-
			C	SEE EC ES00-0157-02	25NOV2002	ACG	-
			CI	SEE EC ESE0-0045-03	02JUL2003	ACG	JS



- 1. PACKAGING UNIT:
1 KIT PACKED INTO 1 BAG;
AND 10 BAGS + 1 APPLICATION SPEC. PACKED INTO 1 CARDBOARD BOX.
 - 2. OPENINGS WILL ACCEPT AMP NETCONNECT SL SERIES;
TOOLLESS AND 110 JACKS (UNSHIELDED AND SHIELDED) AND BLANK INSERTS.
 - 3. DIMENSIONS ARE SHOWN FOR REFERENCE ONLY.
 - 4. LABEL (ITEM 5) AND LABEL COVER (ITEM 4) NOT ASSEMBLED WITH THE FACEPLATE.
 - 5. ICONABLE ZONE.
 - 6. ITEM 3 ACCORDING TO STANDARDS.
 - 7. SL SERIES CONNECTORS: ORDERED SEPARATELY
SL BLANK INSERT (ITEM 7): INCLUDED IN KIT
 - 8. BREAKABLE BLANK TAP.
-
- 1. UNIDAD DE EMBALAJE:
1 CONJUNTO EMBALADO EN 1 BOLSA;
Y 10 BOLSAS + 1 ESPECIFICACION DE APLICACION EMBALADAS EN UNA CAJA.
 - 2. LAS ABERTURAS ACEPTAN LAS SERIES SL DE AMP NETCONNECT;
TOOLLESS Y 110 JACKS (UNSHIELDED/SHIELDED) Y INSERTS CIEGOS.
 - 3. LAS DIMENSIONES MOSTRADAS SON SOLO DE REFERENCIA.
 - 4. LABEL (ITEM 5) AND LABEL COVER (ITEM 4) NO IRAN MONTADOS EN EL FACEPLATE.
 - 5. ZONA PARA UBICAR ICONOS.
 - 6. ITEM 3 DE ACUERDO A STANDARDS.
 - 7. CONECTORES DE LA SERIE SL: NO SE SUMINISTRAN EN EL KIT
SL BLANK INSERT (ITEM 7): INCLUIDO EN EL KIT
 - 8. TAPETA ROMPIBLE.

DISTANCE BETWEEN SLOTS: 60 mm

EXPLODED VIEW
SCALE 1:1



QTY. REQUIRED PER KIT	MATERIAL	DESCRIPTION	ITEM N°
1/10	1/10	PAPER	APPLICATION SPEC.
-	2	ABS	INSERT, BLANK, SL SERIES, ALMOND
2	-	ABS	INSERT, BLANK, SL SERIES, WHITE
2	2	STEEL	FACEPLATE SCREW (M3)
1	1	PAPER	SET OF 5 LABELS (9 mm)
1	1	PC	LABEL COVER
1	1	STEEL	SHEET METAL FRAME, 71x71
-	1	PC	PLASTIC FRAME 80x80, ALMOND; RAL 1013
1	-	PC	PLASTIC FRAME 80x80, WHITE; RAL 9010
-	1	PC	FACEPLATE 50x50, ALMOND; RAL 1013
1	-	PC	FACEPLATE 50x50, WHITE; RAL 9010
-21	-1		

<small>THIS DRAWING IS A CONTROLLED DOCUMENT FOR TYCO ELECTRONICS CORPORATION IT IS SUBJECT TO CHANGE AND THE CONTROLLING ENGINEERING ORGANIZATION SHOULD BE CONTACTED FOR THE LATEST REVISION.</small>		DWN 25APR2001 A. CARRERAS CHK 21MAR2002 E. FRIAS APVD 02JUL2003 J. SANABRA	tyco Electronics tyco electronics AMP España S.A. Barcelona, Spain.
DIMENSIONS: mm 		PRODUCT SPEC APPLICATION SPEC 114-22025	NAME 3 PORT DIN INSTALLATION KIT, FOR AMP NETCONNECT SL SERIES, WITH PLASTIC FRAME
TOLERANCES UNLESS OTHERWISE SPECIFIED: 0 PLC ± 1 PLC ± 2 PLC ± 3 PLC ± 4 PLC ± ANGLES ± FINISH -		WEIGHT -	SIZE A2 CAGE CODE 00779 DRAWING NO. 336614 RESTRICTED TO -
MATERIAL SEE TABLE		CUSTOMER DRAWING	SCALE 2:1 SHEET 1 OF 1 REV C1