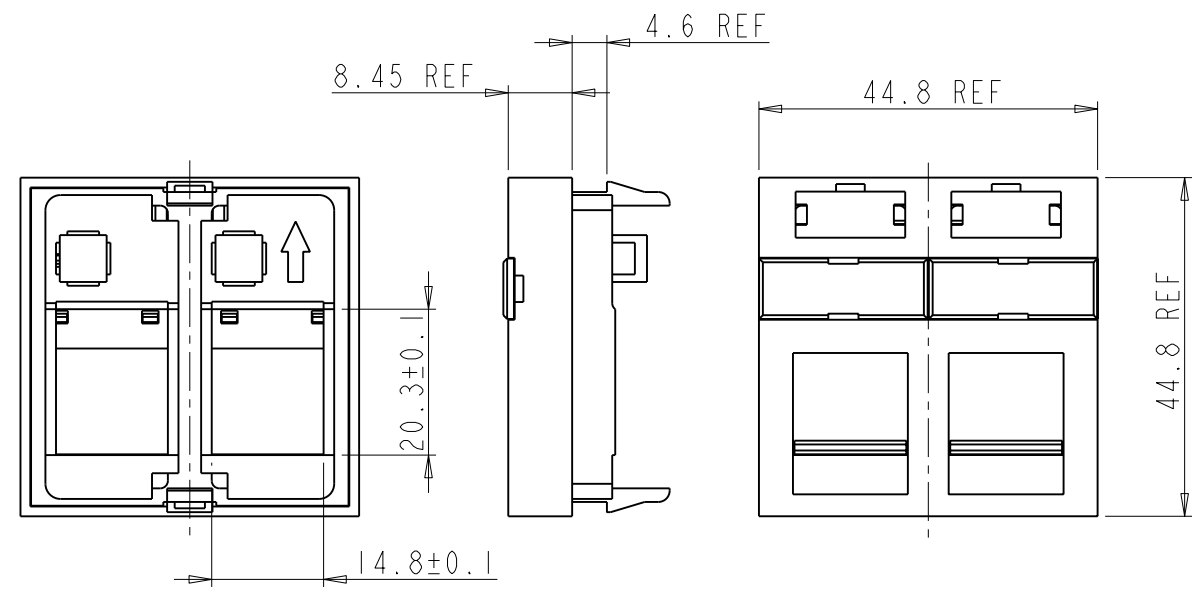
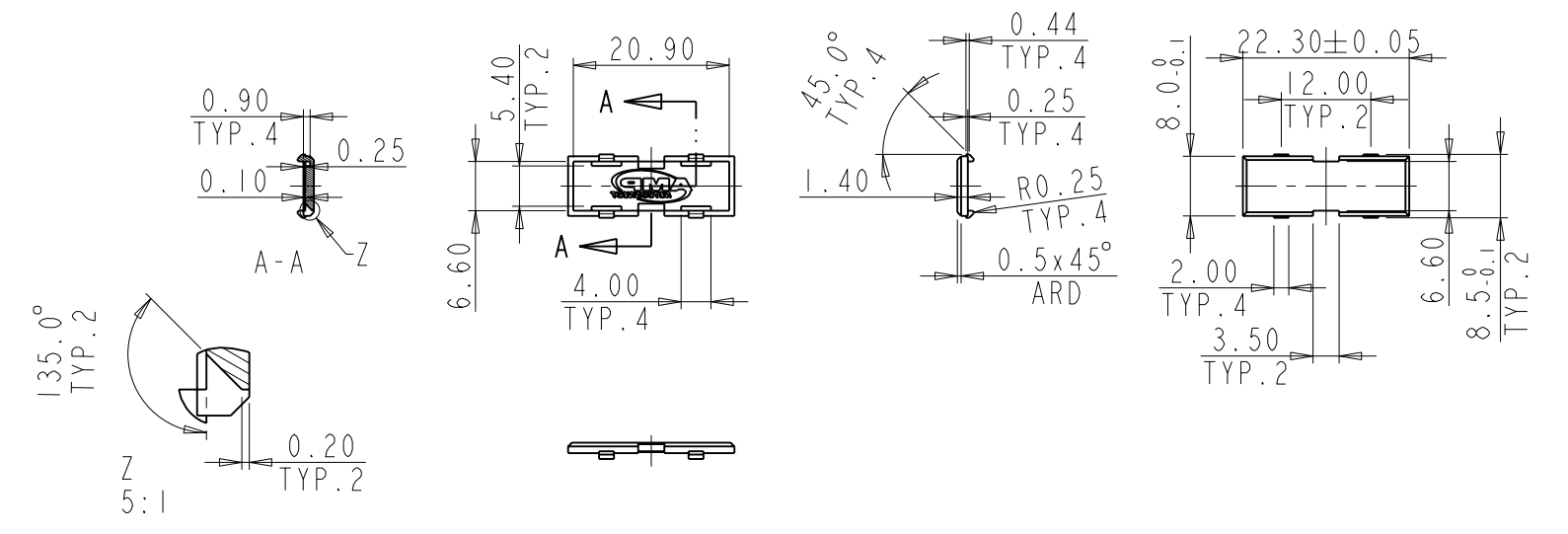


THIS DRAWING IS UNPUBLISHED. RELEASED FOR PUBLICATION 2005
 © COPYRIGHT 2005 BY TYCO ELECTRONICS CORPORATION. ALL RIGHTS RESERVED.

LOC	DIST	REVISIONS			
P	LTR	DESCRIPTION	DATE	DWN	APVD
1K	2	A	FIRST RELEASE	06OCT2005	MP JS
		AI	DATA TABLE REMOVED	25OCT2005	MP JS
		B	SEE ECR-08-007911	10APR2008	L.C. J.S.

- PRODUCT DESCRIPTION:
2 PORT 45x45 SNAP IN MODULE
- PRODUCT INCLUDES TWO STRIPS IN BLUE AND RED COLOURS, EACH ONE WITH FOUR ICONS FOR:
 - CAT5E
 - CAT6
 - PICTOGRAM OF PHONE
 - PICTOGRAM OF COMPUTER

TRANSPARENT LABEL COVER



9010	1711276-1
RAL	DASH

<small>THIS DRAWING IS A CONTROLLED DOCUMENT FOR TYCO ELECTRONICS CORPORATION IT IS SUBJECT TO CHANGE AND THE CONTROLLING ENGINEERING ORGANIZATION SHOULD BE CONTACTED FOR THE LATEST REVISION.</small>		DWN 06OCT2005 M. PANADERO		Tyco Electronics AMP España, S.A. Barcelona, Spain	
DIMENSIONS: mm		TOLERANCES UNLESS OTHERWISE SPECIFIED: 0 PLC ±- 1 PLC ±- 2 PLC ±- 3 PLC ±- 4 PLC ±- ANGLES ±-		CHK 06OCT2005 A. CARRERAS	
		MATERIAL - FINISH -		APVD 06OCT2005 J. SANABRA	
				PRODUCT SPEC - APPLICATION SPEC - WEIGHT -	
				NAME 2 PORT 45 x 45 SNAP IN MODULE	
				SIZE A3 CAGE CODE 00779 DRAWING NO. C-1711276 RESTRICTED TO -	
				CUSTOMER DRAWING SCALE SHEET OF REV B	