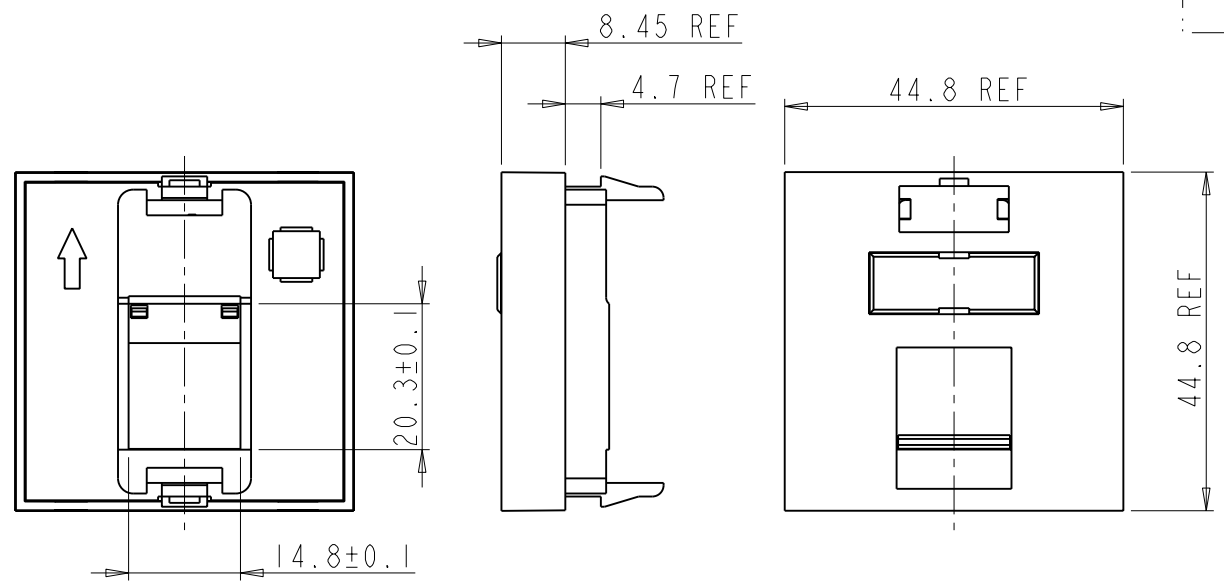
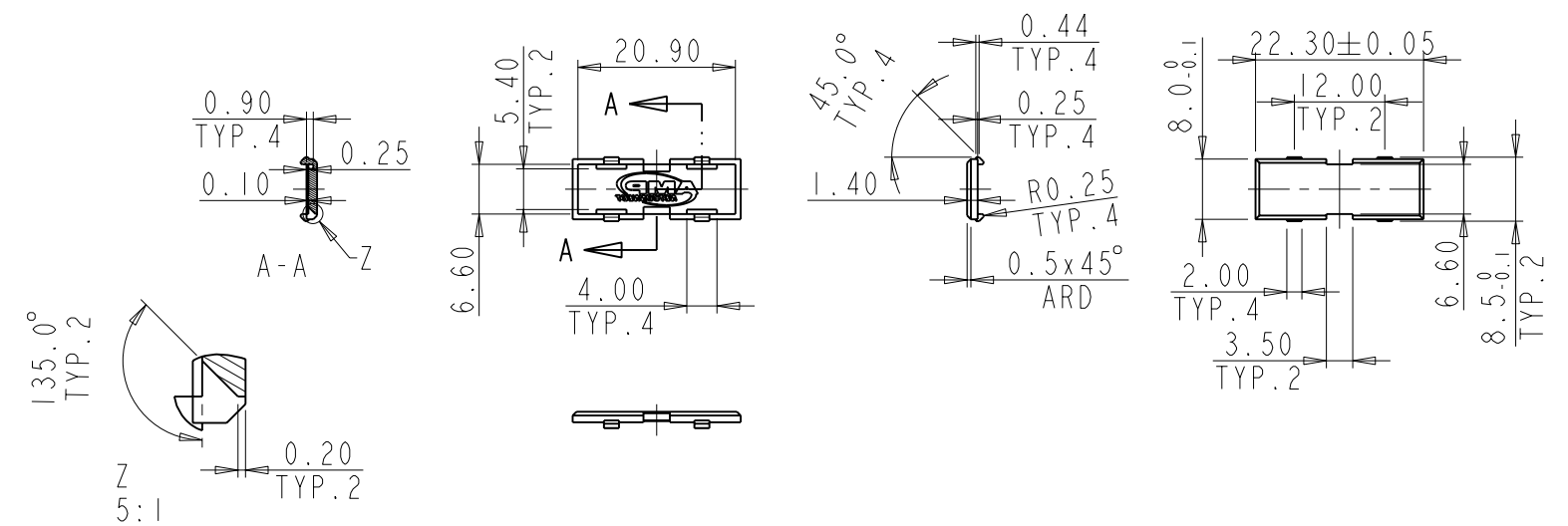


LOC	DIST	REVISIONS			
P	LTR	DESCRIPTION	DATE	DWN	APVD
1K	2	A	FIRST RELEASE	06OCT2005	MP JS
		B	SEE ECR-08-007911	10APR2008	L.C. J.S.

- PRODUCT DESCRIPTION:  
1 PORT 45x45 SNAP IN MODULE
- PRODUCT INCLUDES TWO STRIPS IN BLUE AND RED COLOURS, EACH ONE WITH FOUR ICONS FOR:
  - CAT5E
  - CAT6
  - PICTOGRAM OF PHONE
  - PICTOGRAM OF COMPUTER

TRANSPARENT LABEL COVER



9010	1711277-1
RAL	DASH

THIS DRAWING IS A CONTROLLED DOCUMENT FOR TYCO ELECTRONICS CORPORATION IT IS SUBJECT TO CHANGE AND THE CONTROLLING ENGINEERING ORGANIZATION SHOULD BE CONTACTED FOR THE LATEST REVISION.		DWN M. PANADERO 06OCT2005	Tyco Electronics Tyco Electronics AMP España, S.A. Barcelona, Spain	
DIMENSIONS: mm		CHK A. CARRERAS 06OCT2005	NAME 1 PORT 45 x 45 SNAP IN MODULE	
TOLERANCES UNLESS OTHERWISE SPECIFIED: 0 PLC ±- 1 PLC ±- 2 PLC ±- 3 PLC ±- 4 PLC ±- ANGLES ±-		APVD J. SANABRA 06OCT2005	RESTRICTED TO	
MATERIAL -		PRODUCT SPEC -	SIZE A3	CAGE CODE 00779
FINISH -		APPLICATION SPEC -	DRAWING NO C-1711277	SCALE
CUSTOMER DRAWING		WEIGHT -	SHEET OF REV B	