

THIS DRAWING IS UNPUBLISHED. RELEASED FOR PUBLICATION 2005

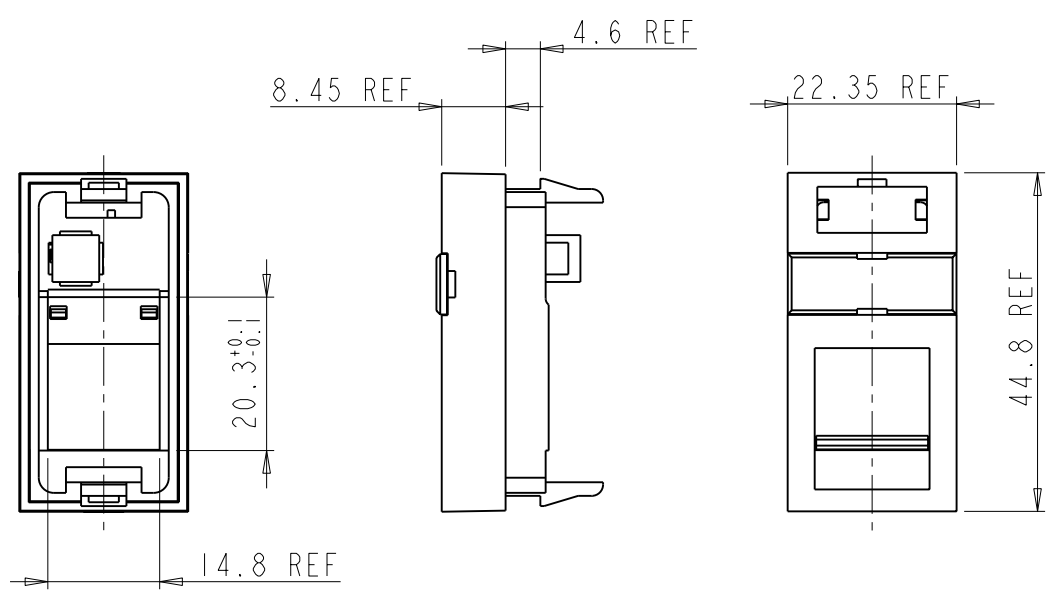
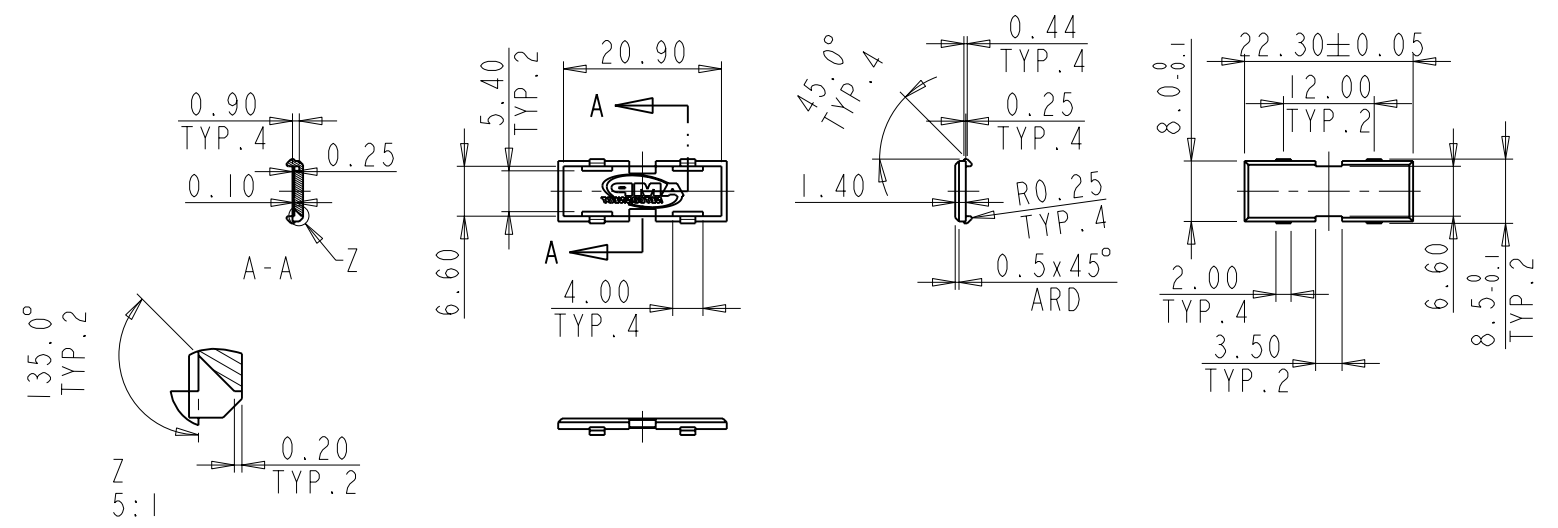
© COPYRIGHT 2005 BY TYCO ELECTRONICS CORPORATION. ALL RIGHTS RESERVED.

LOC 1K DIST 2

REVISIONS					
P	LTR	DESCRIPTION	DATE	DWN	APVD
A		FIRST RELEASE	15JUN2005	MP	JS
AI		NAME UPDATED	03OCT2005	ACG	ACG
B		SEE ECR-08-007911	10APR2008	L.C.	J.S.

- PRODUCT DESCRIPTION:  
UNLOADED 45x22.5 SNAP IN MODULE
- PRODUCT INCLUDES TWO STRIPS  
IN BLUE AND RED COLOURS,  
EACH ONE WITH FOUR ICONS FOR:  
- CAT5E  
- CAT6  
- PICTOGRAM OF PHONE  
- PICTOGRAM OF COMPUTER

TRANSPARENT LABEL COVER



9010	1711349-1
RAL	DASH

THIS DRAWING IS A CONTROLLED DOCUMENT FOR TYCO ELECTRONICS CORPORATION IT IS SUBJECT TO CHANGE AND THE CONTROLLING ENGINEERING ORGANIZATION SHOULD BE CONTACTED FOR THE LATEST REVISION.		DWN M. PANADERO 15JUN2005	Tyco Electronics Tyco Electronics AMP España, S.A. Barcelona, Spain	
DIMENSIONS: mm		CHK A. CARRERAS 15JUN2005	NAME UNLOADED 45 x 22.5 SNAP IN MODULE	
TOLERANCES UNLESS OTHERWISE SPECIFIED: 0 PLC ±- 1 PLC ±- 2 PLC ±- 3 PLC ±- 4 PLC ±- ANGLES ±-		APVD J. SANABRA 15JUN2005	PRODUCT SPEC -	
MATERIAL -		FINISH -	APPLICATION SPEC -	RESTRICTED TO -
		WEIGHT -	SIZE A3	CAGE CODE 00779
		CUSTOMER DRAWING	DRAWING NO C-1711349	SCALE 1:1
			SHEET 1	OF 1
			REV B	