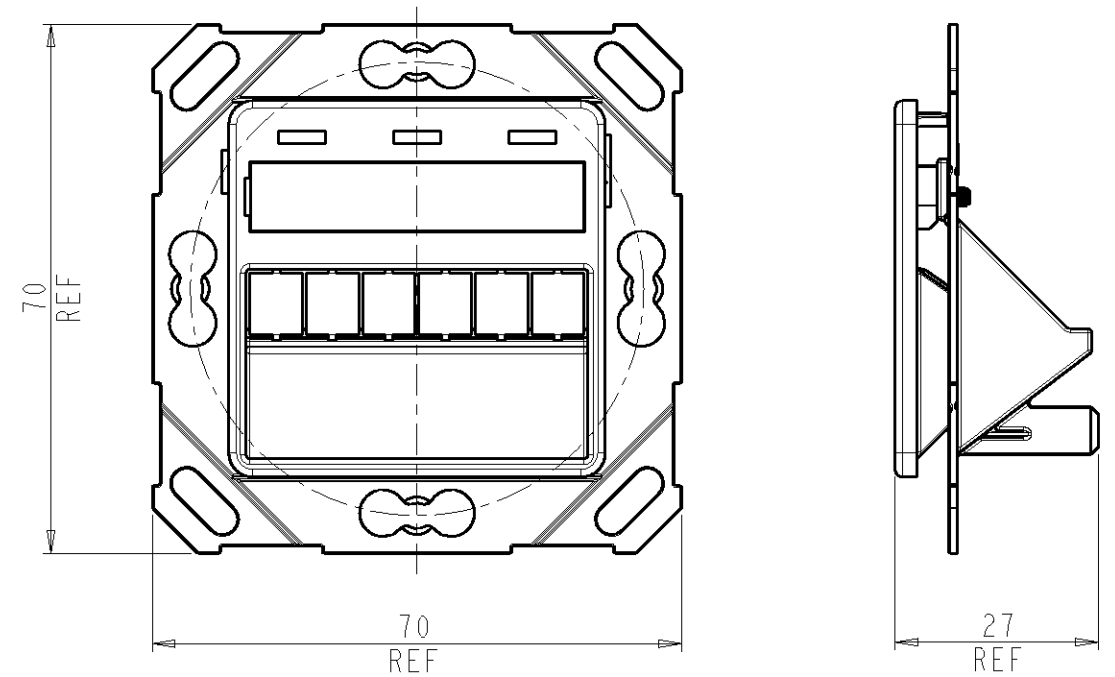
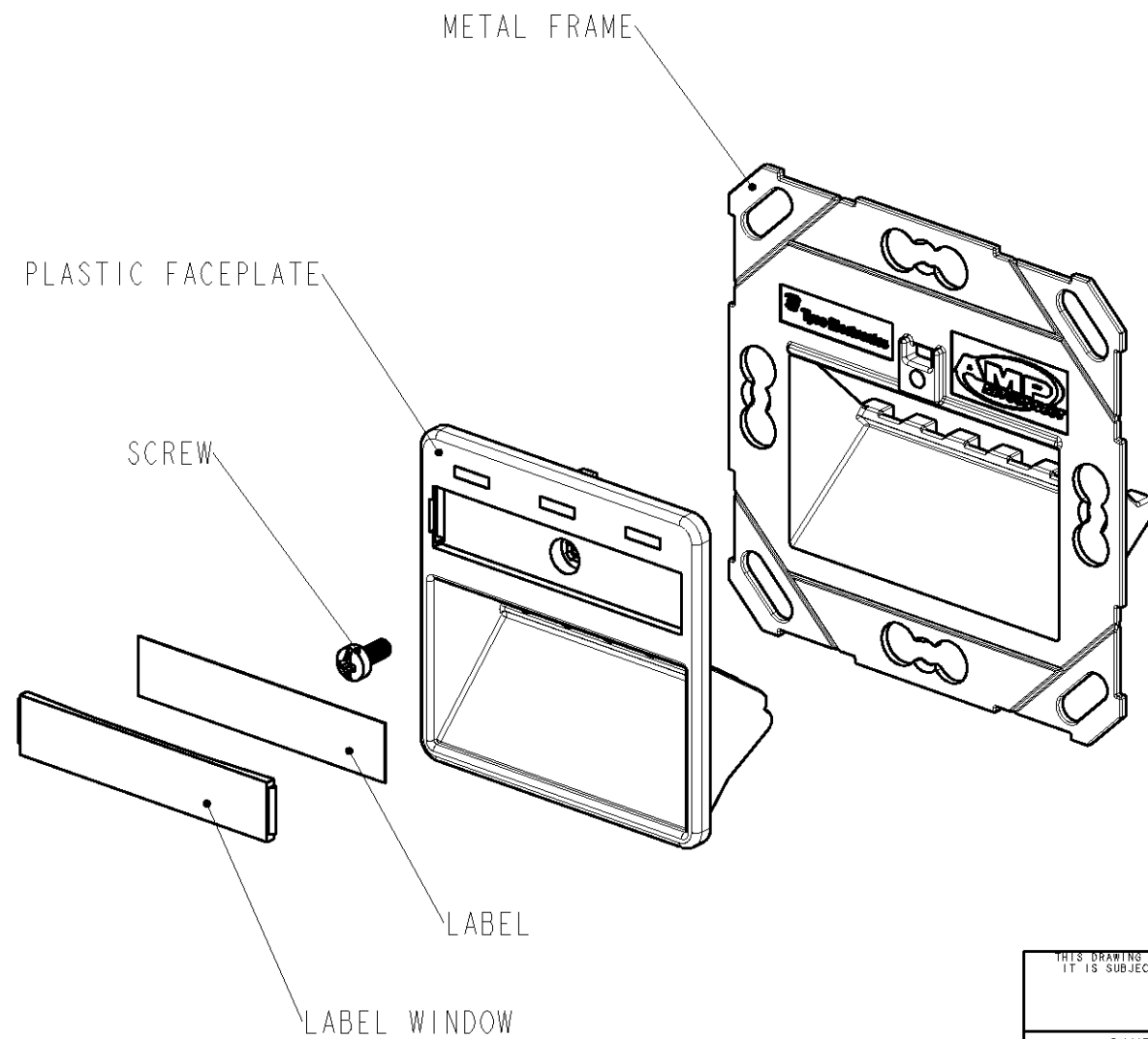


THIS DRAWING IS UNPUBLISHED. RELEASED FOR PUBLICATION 2006
 © COPYRIGHT 2006 BY TYCO ELECTRONICS CORPORATION. ALL RIGHTS RESERVED.

LOC	DIST	REVISIONS			
P	LTR	DESCRIPTION	DATE	DWN	APVD
	A	ISSUED	11OCT2006	FCH	JS
	B	RELEASED	13DEC2006	ACG	JS
	BI	NOTES AND BOM CLARIFICATION	04MAR2008	L.C.	J.S.

PACKAGING:
 - EACH UNIT IN A CARTON BOX WITH CORRESPONDING LABEL
 - 10 UNITS IN A CARTON BOX WITH ONE INSTRUCTION SHEET AND CORRESPONDING LABEL
 - 10 BOXES OF 10 UNITS (100 UNITS) IN A CARTON BOX WITH CORRESPONDING LABEL



QTY		MATERIAL	DESCRIPTION	ITEM
1	1	PC	LABEL WINDOW	5
1	1	PAPER	LABEL	4
1	1	STEEL	POZIDRIV SCREW M2.5x8.5mm	3
1	-	PC	PLASTIC FACEPLATE, WHITE	2
-	1	PC	PLASTIC FACEPLATE, ALMOND	
1	1	Zn ALLOY	METAL FRAME	1
-2	-1	MATERIAL	DESCRIPTION	ITEM

<small>THIS DRAWING IS A CONTROLLED DOCUMENT FOR TYCO ELECTRONICS CORPORATION. IT IS SUBJECT TO CHANGE AND THE CONTROLLING ENGINEERING ORGANIZATION SHOULD BE CONTACTED FOR THE LATEST REVISION.</small>		DWN 20JUN2006 F. CHAMORRO CHK 11OCT2006 A. CARRERAS APVD 18DEC2006 J. SANABRA		Tyco Electronics Tyco Electronics AMP España, S.A. Barcelona, Spain	
DIMENSIONS: mm		TOLERANCES UNLESS OTHERWISE SPECIFIED: 0 PLC ±- 1 PLC ±0.2 2 PLC ±0.5 3 PLC ±- 4 PLC ±- ANGLES ±-		NAME 3-PORT 50x50 DIN OUTLET SL SERIES JACKS	
MATERIAL -		FINISH -		PRODUCT SPEC - APPLICATION SPEC 114-93009 WEIGHT -	
CUSTOMER DRAWING		SIZE A3 CAGE CODE 00779 DRAWING NO C-1711485		RESTRICTED TO -	
		SCALE 1:1		SHEET 1 OF 1 REV BI	