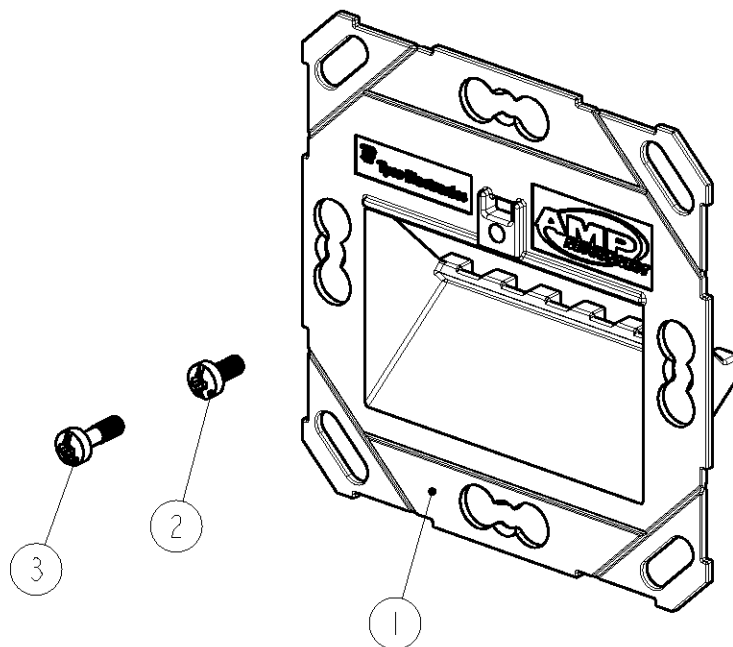


LOC	DIST	REVISIONS					
		P	LTR	DESCRIPTION	DATE	DWN	APVD
1K	2		A	ISSUED	11OCT2006	FCH	JS
			B	RELEASED	18DEC2006	ACG	JS
			C	SEE ECR-07-024061	11OCT2007	LC	JS
			CI	NOTES CLARIFICATION	03MAR2008	LC	JS

PACKAGING:

- ONE POLYBAG CONTAINING ITEM 3 (11mm SCREW) AND PRE-ASSEMBLY (METAL FRAME+8.5mm SCREW)
- EACH UNIT IN A CARTON BOX WITH CORRESPONDING LABEL
- 10 UNITS IN A CARTON BOX WITH CORRESPONDING LABEL
- 10 BOXES OF 10 UNITS (100 UNITS) IN A CARTON BOX WITH CORRESPONDING LABEL




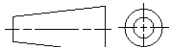
1	STEEL	POZIDRIV SCREW; M2.5 x 11mm. RoHS	3
1	STEEL	POZIDRIV SCREW; M2.5 x 8.5mm. RoHS	2
1	Zn ALLOY	METAL FRAME	1
-1	MATERIAL	DESCRIPTION	ITEM
DASH	PART LIST		

2006

RELEASED FOR PUBLICATION

THIS DRAWING IS UNPUBLISHED.

© COPYRIGHT 2006 BY TYCO ELECTRONICS CORPORATION. ALL RIGHTS RESERVED.

DIMENSIONS: mm	DWN F. CHAMORRO	28JUN2006	MATERIAL	-	FINISH	-
	CHK A. CARRERAS	11OCT2006	 Tyco Electronics AMP España, S.A. Barcelona, Spain			
TOLERANCES UNLESS OTHERWISE SPECIFIED:	APVD J. SANABRA	18DEC2006				
0 PLC ±-	PRODUCT SPEC		NAME 3-PORT DIN METAL FRAME FOR 50x50 FACEPLATES			
1 PLC ±0.5	-					
2 PLC ±0.2	APPLICATION SPEC		SIZE	CAGE CODE	DRAWING NO	RESTRICTED TO
3 PLC ±-	-		A4	00779	C=1711490	-
4 PLC ±-	WEIGHT		CUSTOMER DRAWING			
ANGLES ±-	-		SCALE	1:1	SHEET	1 OF 1
	-		REV C1			