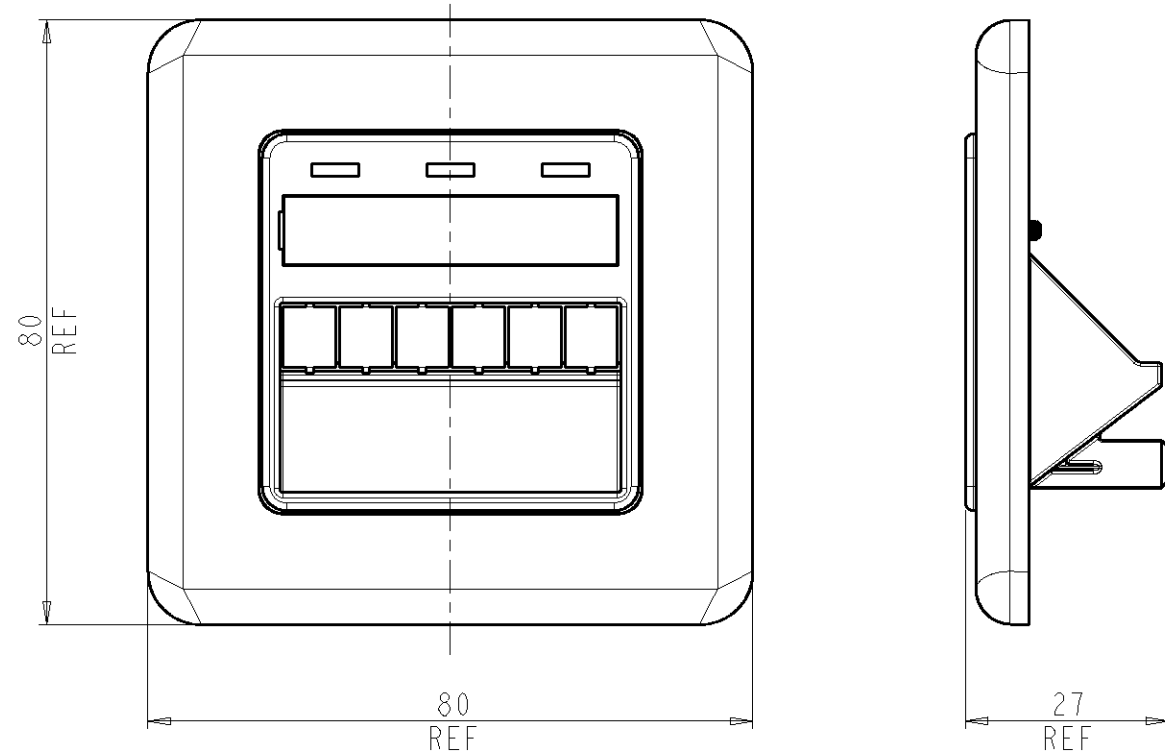
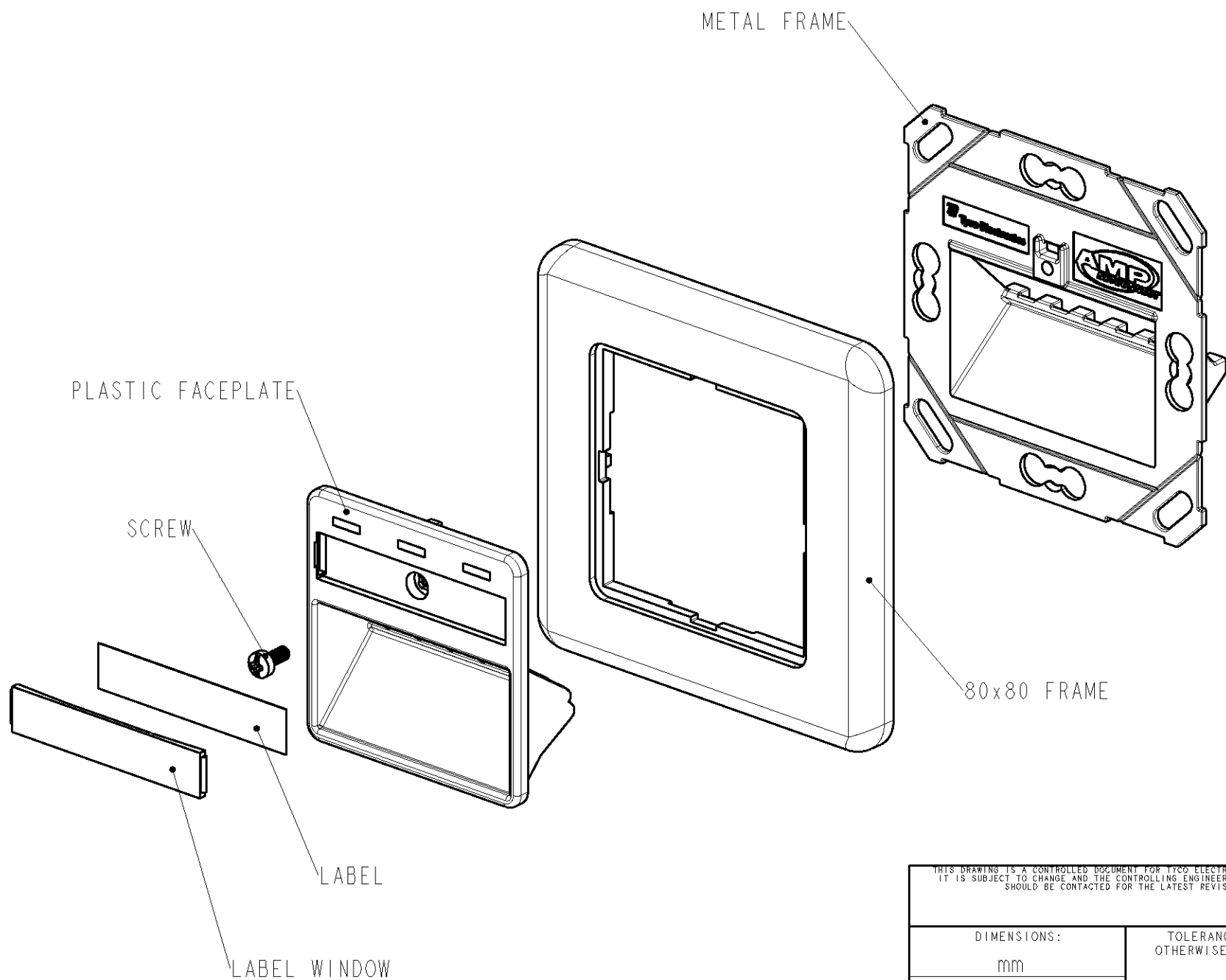


THIS DRAWING IS UNPUBLISHED. RELEASED FOR PUBLICATION 2006  
 © COPYRIGHT 2006 BY TYCO ELECTRONICS CORPORATION. ALL RIGHTS RESERVED.

LOC	DIST	REVISIONS					
		P	LTR	DESCRIPTION	DATE	DWN	APVD
1K	2		A	ISSUED	10OCT2006	FCH	JS
			B	RELEASED	14DEC2006	ACG	JS
			BI	NOTES AND BOM CLARIFICATION	04MAR2008	L.C.	J.S.

PACKAGING:  
 - EACH UNIT IN A CARTON BOX WITH CORRESPONDING LABEL  
 - 10 UNITS IN A CARTON BOX WITH ONE INSTRUCTION SHEET AND CORRESPONDING LABEL  
 - 6 BOXES OF 10 UNITS (60 UNITS) IN A CARTON BOX WITH CORRESPONDING LABEL



QTY		MATERIAL	DESCRIPTION	ITEM
1	1	PC	LABEL WINDOW	6
1	1	PAPER	LABEL	5
1	1	STEEL	POZIDRIV SCREW M2.5x8.5mm	4
1	-	PC	PLASTIC FACEPLATE, WHITE	3
-	1	PC	PLASTIC FACEPLATE, ALMOND	
1	-	PC	80x80 PLASTIC FRAME, WHITE	2
-	1	PC	80x80 PLASTIC FRAME, ALMOND	
1	1	Zn ALLOY	METAL FRAME	1
-2	-1	MATERIAL	DESCRIPTION	ITEM

<small>THIS DRAWING IS A CONTROLLED DOCUMENT FOR TYCO ELECTRONICS CORPORATION          IT IS SUBJECT TO CHANGE AND THE CONTROLLING ENGINEERING ORGANIZATION          SHOULD BE CONTACTED FOR THE LATEST REVISION.</small>		DWN 10OCT2006 F. CHAMORRO CHK 10OCT2006 A. CARRERAS APVD 18DEC2006 J. SANABRA PRODUCT SPEC APPLICATION SPEC 114-93009 WEIGHT -		<b>Tyco Electronics</b> Tyco Electronics AMP España, S.A. Barcelona, Spain NAME <b>3-PORT 80x80 DIN OUTLET          SL SERIES JACKS</b>	
DIMENSIONS: mm 		TOLERANCES UNLESS OTHERWISE SPECIFIED: 0 PLC ±- 1 PLC ±0.5 2 PLC ±0.2 3 PLC ±- 4 PLC ±- ANGLES ±-		SIZE A3 CAGE CODE 00779 DRAWING NO C-1711537 RESTRICTED TO - CUSTOMER DRAWING SCALE SHEET OF REV BI	