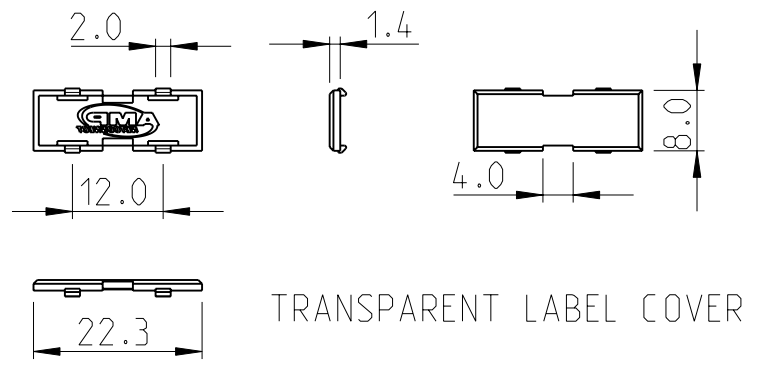
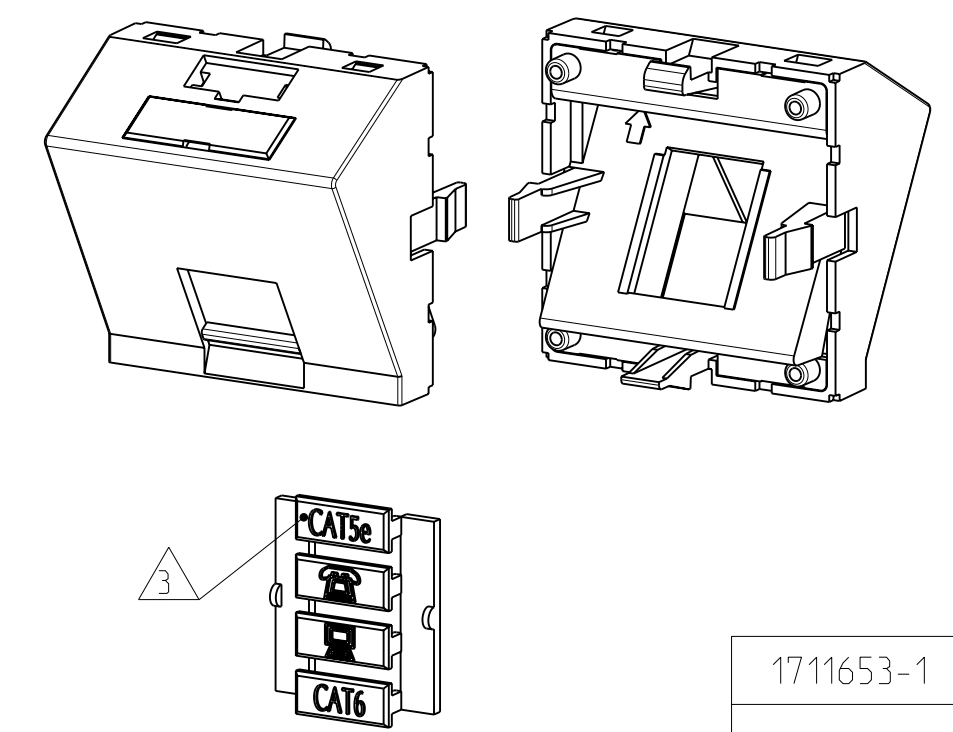
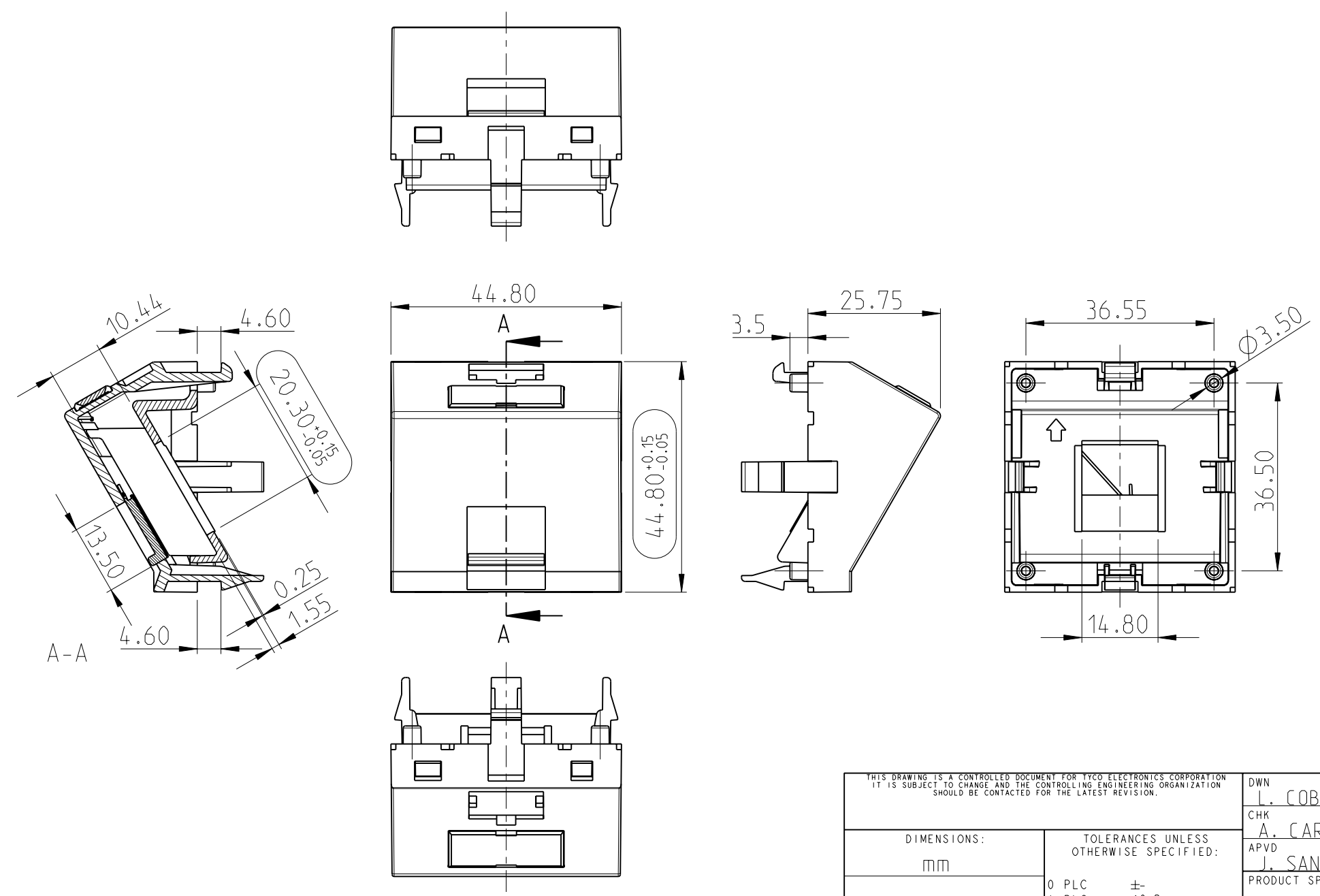


THIS DRAWING IS UNPUBLISHED. RELEASED FOR PUBLICATION 2010  
 © COPYRIGHT 2010 BY TYCO ELECTRONICS CORPORATION. ALL RIGHTS RESERVED.

LOC	DIST	REVISIONS					
		P	LTR	DESCRIPTION	DATE	DWN	APVD
1K	2		A	DRAWING RELEASED	26MAY2010	L.C.	J.S.



1. PRODUCT DESCRIPTION:  
SINGLE SHUTTERED ANGLED MODULE 45x45
2. PLASTIC COLOUR: WHITE RAL 9010
3. PRODUCT INCLUDES TWO ICON STRIPS (IN BLUE AND RED) WITH:
  - CAT5e
  - PICTOGRAM OF PHONE
  - PICTOGRAM OF COMPUTER
  - CAT6



1711653-1  
PART NUMBER

<small>THIS DRAWING IS A CONTROLLED DOCUMENT FOR TYCO ELECTRONICS CORPORATION IT IS SUBJECT TO CHANGE AND THE CONTROLLING ENGINEERING ORGANIZATION SHOULD BE CONTACTED FOR THE LATEST REVISION.</small>		DWN 26MAY2010 L. COBACHO CHK 26MAY2010 A. CARRERAS APVD 26MAY2010 J. SANABRA		Tyco Electronics AMP España, S.A. Barcelona, Spain	
DIMENSIONS: mm		TOLERANCES UNLESS OTHERWISE SPECIFIED: 0 PLC ±- 1 PLC ±0.2 2 PLC ±0.10 3 PLC ±- 4 PLC ±- ANGLES ±-		NAME SINGLE SHUTTERED ANGLED MODULE 45x45 PRODUCT SPEC - APPLICATION SPEC - WEIGHT -	
MATERIAL -		FINISH -		SIZE A3	CAGE CODE - DRAWING NO ©1711653
CUSTOMER DRAWING				SCALE 1:1	SHEET 1 OF 1 REV A