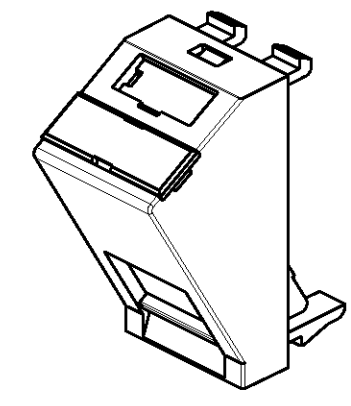
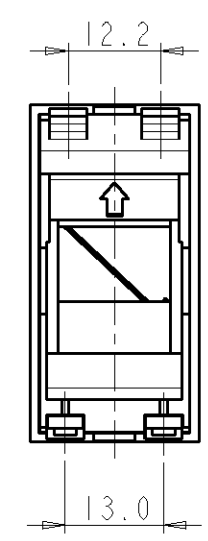
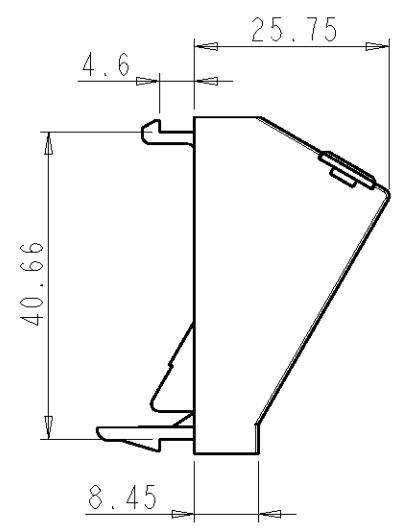
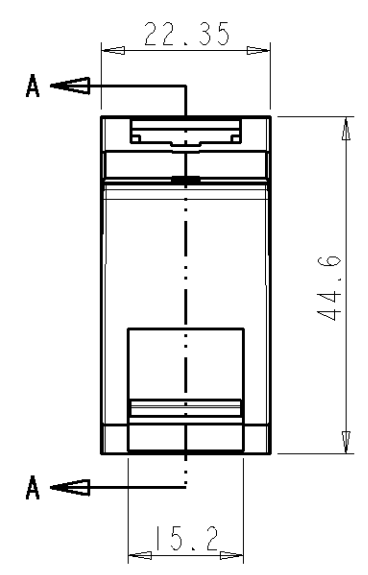
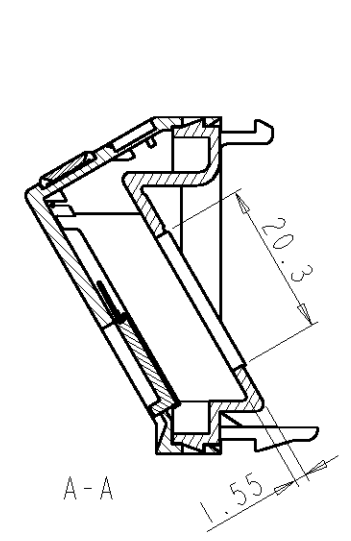
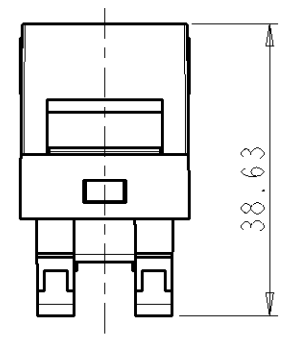
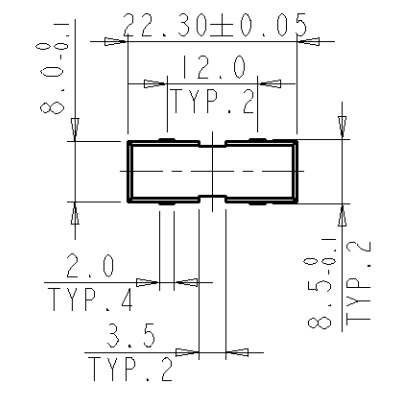
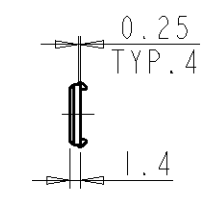
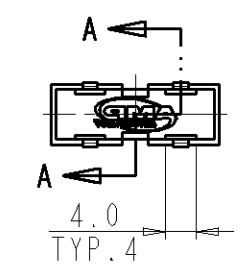
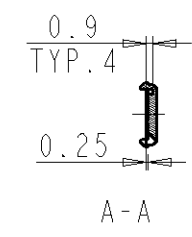


THIS DRAWING IS UNPUBLISHED. RELEASED FOR PUBLICATION 2008
 © COPYRIGHT 2008 BY TYCO ELECTRONICS CORPORATION. ALL RIGHTS RESERVED.

LOC	DIST	REVISIONS			
P	LTR	DESCRIPTION	DATE	DWN	APVD
1K	2	A	PRODUCTION RELEASE	04JUL2008	L.C. J.S.

TRANSPARENT LABEL COVER

- PRODUCT DESCRIPTION:
SINGLE PORT ANGLED 45x22.5 MODULE
- PRODUCT INCLUDES TWO STRIPS
IN BLUE AND RED COLOURS,
EACH ONE WITH FOUR ICONS FOR:
 - CAT5E
 - CAT6
 - PICTOGRAM OF PHONE
 - PICTOGRAM OF COMPUTER



9010	1711664-1
RAL	DASH

<small>THIS DRAWING IS A CONTROLLED DOCUMENT FOR TYCO ELECTRONICS CORPORATION IT IS SUBJECT TO CHANGE AND THE CONTROLLING ENGINEERING ORGANIZATION SHOULD BE CONTACTED FOR THE LATEST REVISION.</small>		DWN L. COBACHO 14DEC2007 CHK A. CARRERAS 14DEC2007 APVD J. SANABRA 04JUL2008	Tyco Electronics AMP España, S.A. Barcelona, Spain
DIMENSIONS: mm	TOLERANCES UNLESS OTHERWISE SPECIFIED: 0 PLC ±- 1 PLC ±0.1 2 PLC ±0.05 3 PLC ±- 4 PLC ±- ANGLES ±-	PRODUCT SPEC - APPLICATION SPEC - WEIGHT -	NAME SINGLE PORT ANGLED 45x22.5 MODULE SIZE A3 CAGE CODE 00779 DRAWING NO C-1711664 RESTRICTED TO -
MATERIAL -	FINISH -	CUSTOMER DRAWING	SCALE SHEET OF REV A