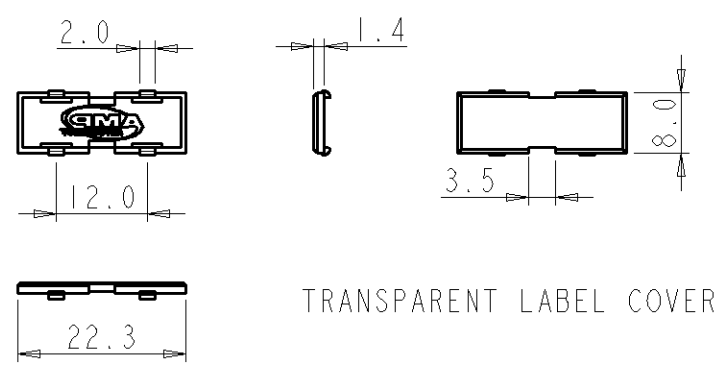
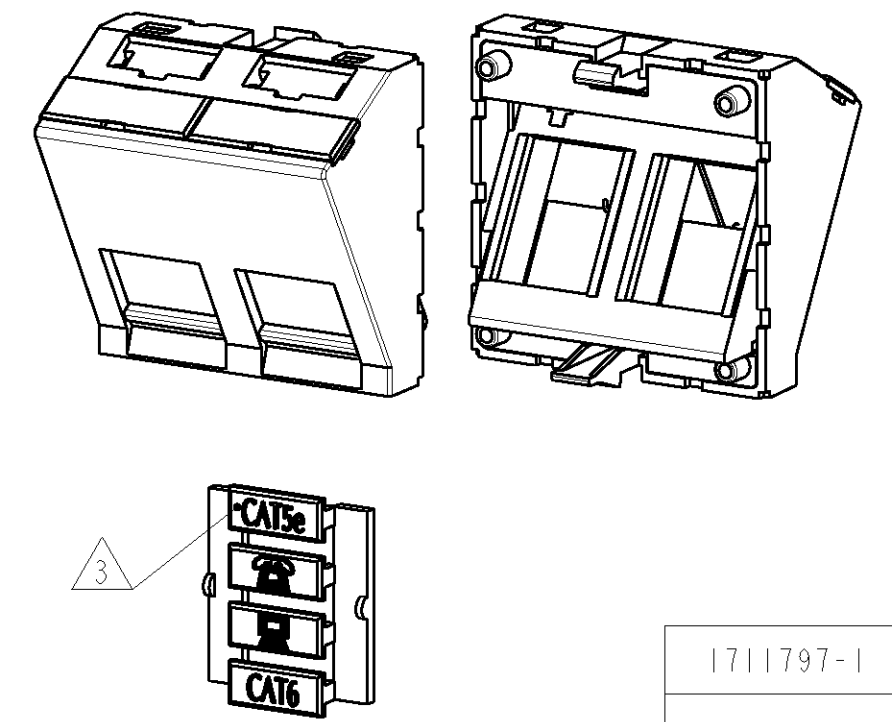
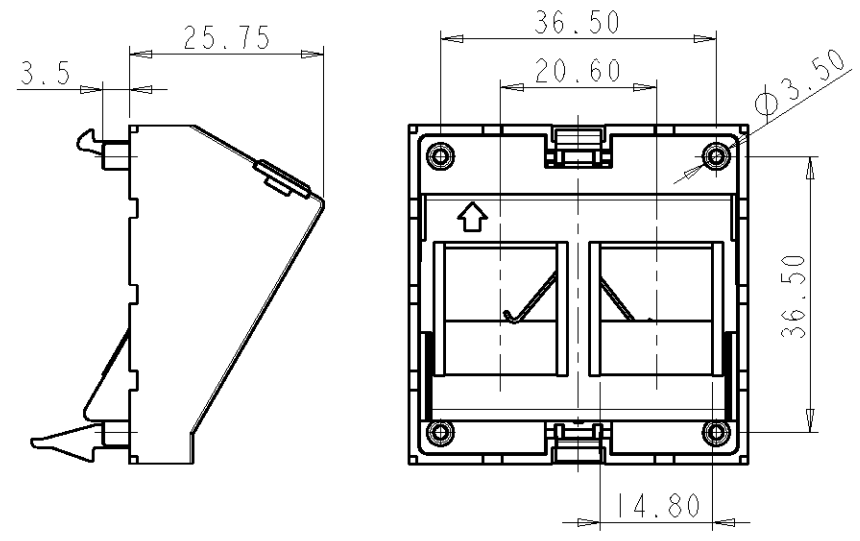
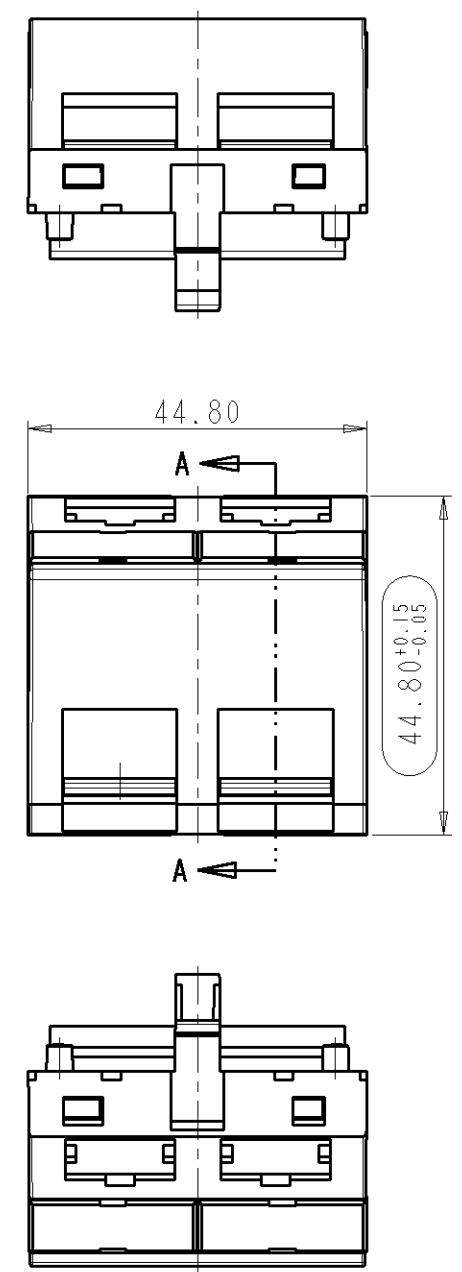
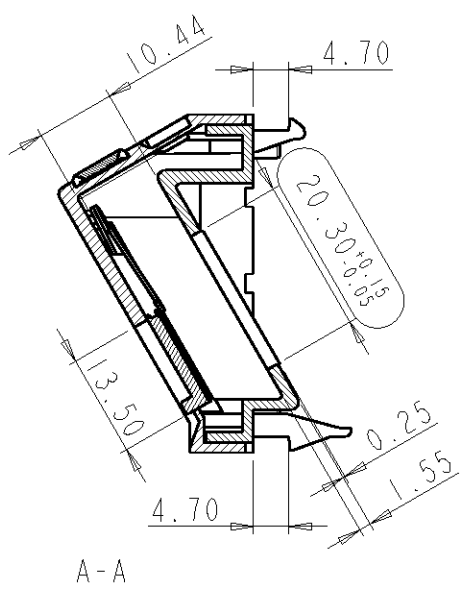


THIS DRAWING IS UNPUBLISHED. RELEASED FOR PUBLICATION 2009
 © COPYRIGHT 2009 BY TYCO ELECTRONICS CORPORATION. ALL RIGHTS RESERVED.

LOC	DIST	REVISIONS			
P	LTR	DESCRIPTION	DATE	DWN	APVD
1K	2	A	DRAWING RELEASED	15OCT2009	L.C. J.S.



1. PRODUCT DESCRIPTION:
DUAL SHUTTERED ANGLED MODULE 45x45
2. PLASTIC COLOUR: WHITE RAL 9010
3. PRODUCT INCLUDES TWO ICON STRIPS (IN BLUE AND RED) WITH:
 - CAT5e
 - PICTOGRAM OF PHONE
 - PICTOGRAM OF COMPUTER
 - CAT6



1711797-1
PART NUMBER

<small>THIS DRAWING IS A CONTROLLED DOCUMENT FOR TYCO ELECTRONICS CORPORATION IT IS SUBJECT TO CHANGE AND THE CONTROLLING ENGINEERING ORGANIZATION SHOULD BE CONTACTED FOR THE LATEST REVISION.</small>		DWN L. COBACHO 15OCT2009 CHK A. CARRERAS 15OCT2009 APVD J. SANABRA 15OCT2009		Tyco Electronics AMP España, S.A. Barcelona, Spain	
DIMENSIONS: mm		TOLERANCES UNLESS OTHERWISE SPECIFIED: 0 PLC ±- 1 PLC ±0.2 2 PLC ±0.10 3 PLC ±- 4 PLC ±- ANGLES ±-		NAME DUAL SHUTTERED ANGLED MODULE 45x45 PRODUCT SPEC - APPLICATION SPEC - WEIGHT -	
MATERIAL -		FINISH -		SIZE A3 CAGE CODE 00779 DRAWING NO C-1711797 RESTRICTED TO -	
CUSTOMER DRAWING				SCALE SHEET OF REV A	