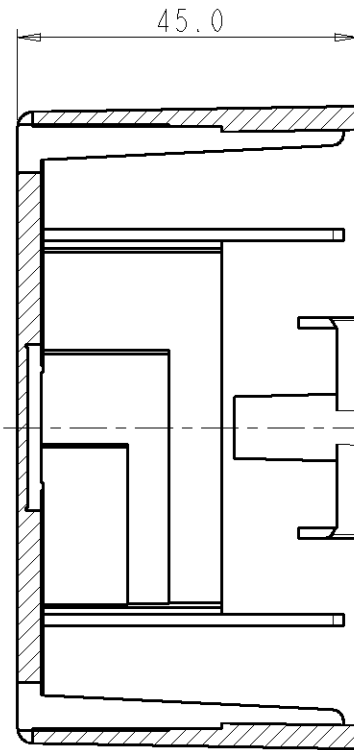
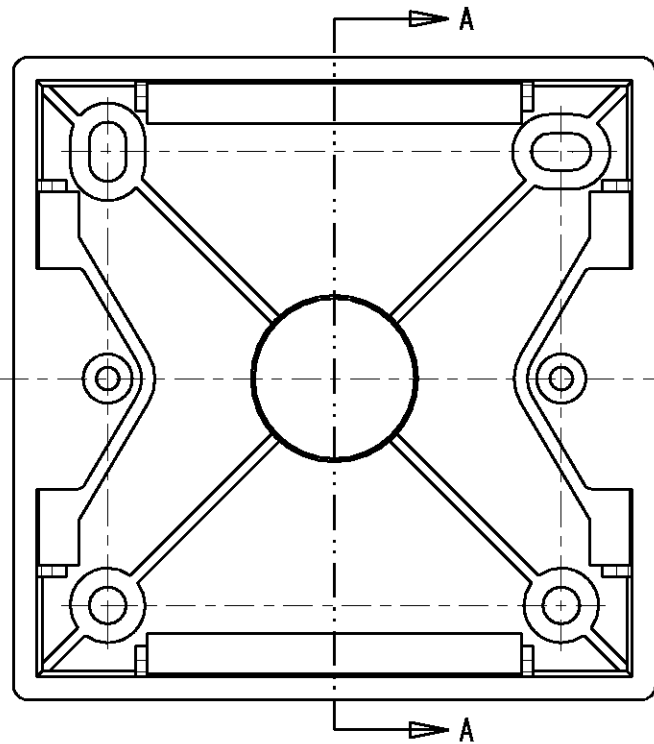
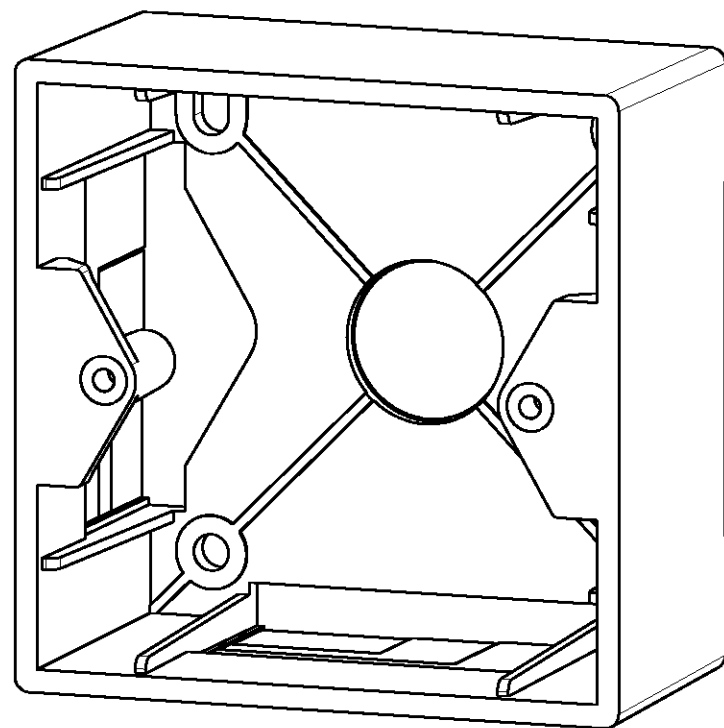
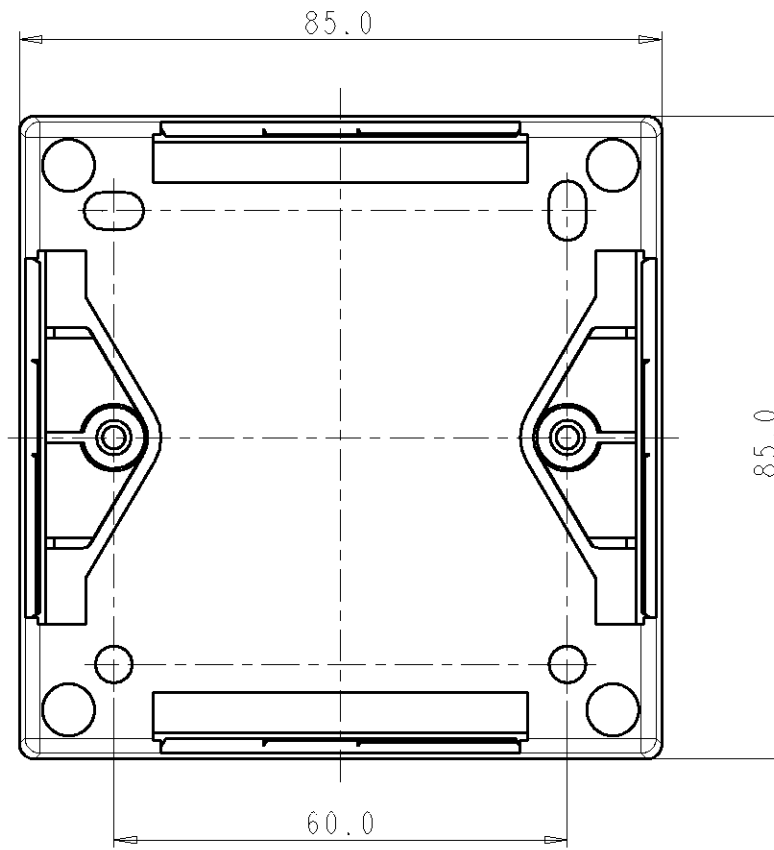


THIS DRAWING IS UNPUBLISHED. RELEASED FOR PUBLICATION 2009
 © COPYRIGHT 2008 BY TYCO ELECTRONICS CORPORATION. ALL RIGHTS RESERVED.

LOC	DIST	REVISIONS			
P	LTR	DESCRIPTION	DATE	DWN	APVD
1K	2	A	RELEASED	25MAR2008	L.C. J.S.
		AI	COLOUR DESCRIPTION CORRECTED	18JUN2009	L.C. J.S.



A-A



- 1. MATERIAL: BOX ABS FLAME RETARDANT
SCREW NUTS MILD STEEL 1018, COATING Zn(+3)
- 2. PLASTIC COLOUR: WHITE RAL 9003
- 3. PRODUCT ACCORDING TO TE ENVIRONMENTAL SPEC. 230-702

PART NUMBER 185705-1 AS SHOWN

<small>THIS DRAWING IS A CONTROLLED DOCUMENT FOR TYCO ELECTRONICS CORPORATION IT IS SUBJECT TO CHANGE AND THE CONTROLLING ENGINEERING ORGANIZATION SHOULD BE CONTACTED FOR THE LATEST REVISION.</small>		DWN 07MAR2008 L. COBACHO CHK 07MAR2008 A. CARRERAS APVD 07MAR2008 J. SANABRA		Tyco Electronics AMP España, S.A. Barcelona, Spain	
DIMENSIONS: mm		TOLERANCES UNLESS OTHERWISE SPECIFIED: 0 PLC ±- 1 PLC ±0.1 2 PLC ±- 3 PLC ±- 4 PLC ±- ANGLES ±-		NAME 1 GANG SQ CORNER 44mm CTR. ENTR.	
MATERIAL		FINISH -		PRODUCT SPEC - APPLICATION SPEC - WEIGHT -	
CUSTOMER DRAWING				SIZE A3	CAGE CODE 00779
SCALE				DRAWING NO C-185705	RESTRICTED TO -
SHEET OF				REV A1	