

4

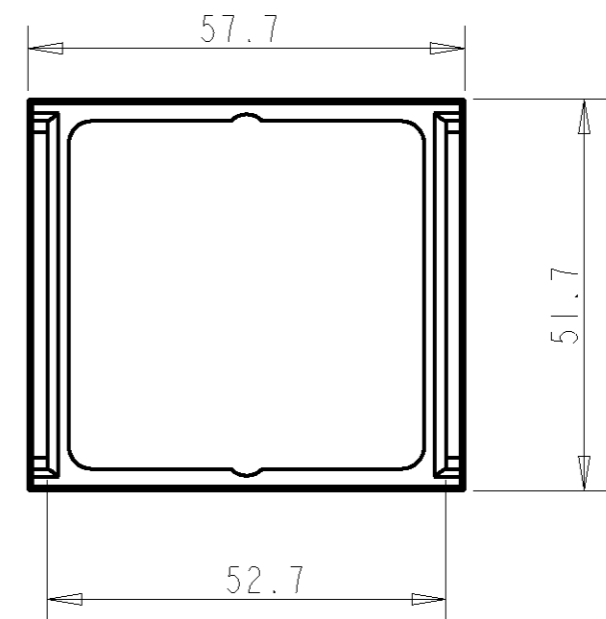
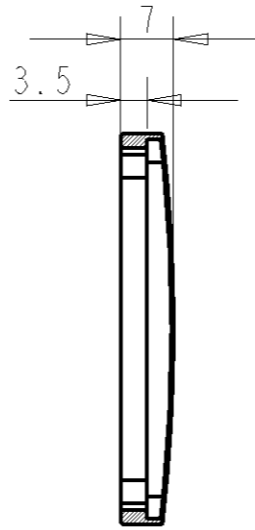
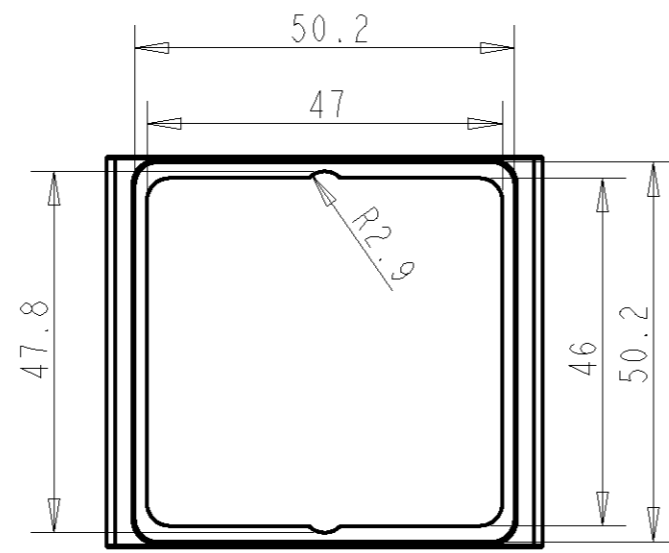
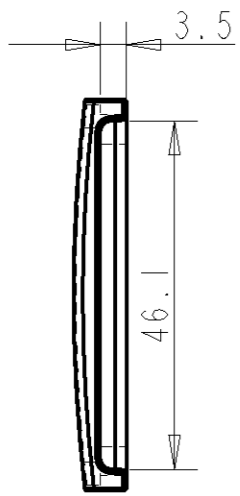
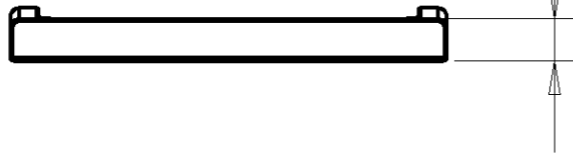
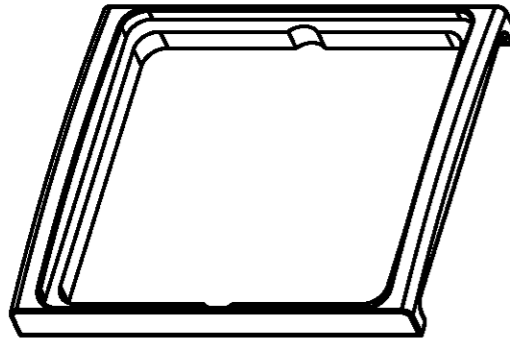
3

2

1

THIS DRAWING IS UNPUBLISHED. RELEASED FOR PUBLICATION 20
 © COPYRIGHT 20 BY TYCO ELECTRONICS CORPORATION. ALL RIGHTS RESERVED.

LOC	DIST	REVISIONS			
P	LTR	DESCRIPTION	DATE	DWN	APVD
ES	-	A	RELEASE	13AUG2009	F.Z E.W
		B	ECR-09-018146	13AUG2009	K.L R.C



SECTION A-A

NOTES:
 1. PACKAGING: ONE PIECE/POLYBAG AND 25 POLYBAG/INNER BOX AND 8 INNER BOX/C3 SHIPPING BOX
 2. LEGRAND AND VALENA ARE TRADEMARKS OF LEGRAND, LIMOGES, FRANCE

WHITE	1859130-1
COLOR	PART NUMBER

<small>THIS DRAWING IS A CONTROLLED DOCUMENT FOR TYCO ELECTRONICS CORPORATION IT IS SUBJECT TO CHANGE AND THE CONTROLLING ENGINEERING ORGANIZATION SHOULD BE CONTACTED FOR THE LATEST REVISION.</small>		DWN K. LEE 13AUG2009 CHK R. CHEN 13AUG2009 APVD R. CHEN 13AUG2009	Tyco Electronics Corporation Shanghai, China
DIMENSIONS: mm 	TOLERANCES UNLESS OTHERWISE SPECIFIED: 0 PLC ± 1 PLC ± 2 PLC ± 3 PLC ± 4 PLC ± ANGLES ±	PRODUCT SPEC - APPLICATION SPEC - WEIGHT -	NAME FACEPLATE ADAPTER FOR LEGRAND VALENA
MATERIAL	FINISH -	SIZE A3 CAGE CODE 00779 DRAWING NO C-1859130	RESTRICTED TO -
CUSTOMER DRAWING		SCALE	SHEET OF REV B