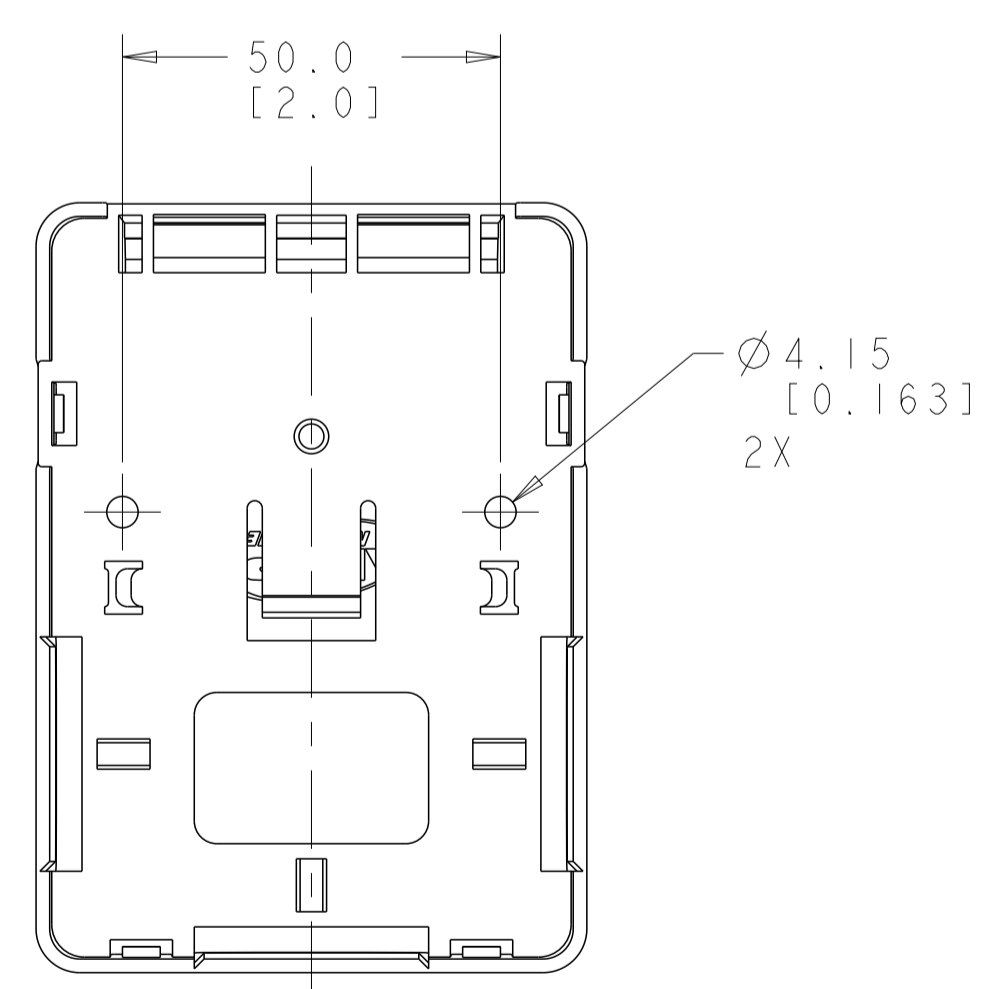
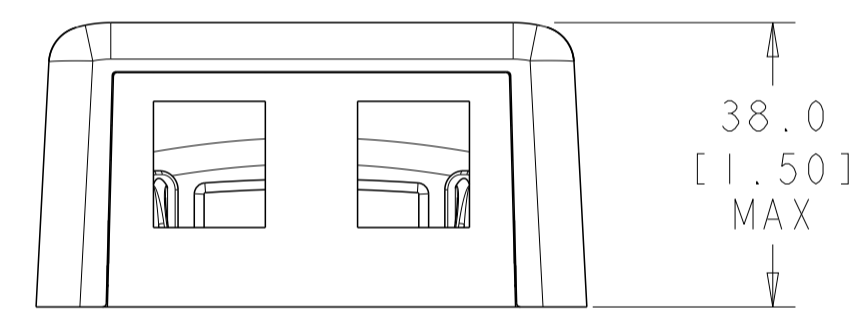
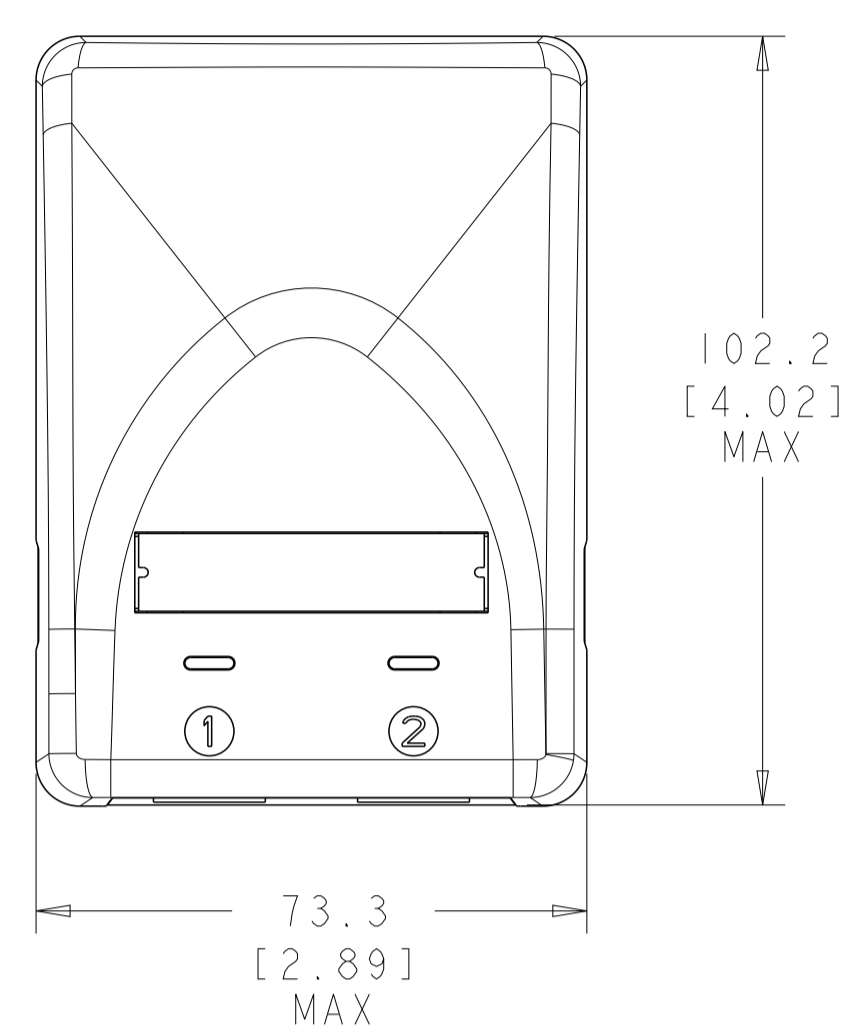
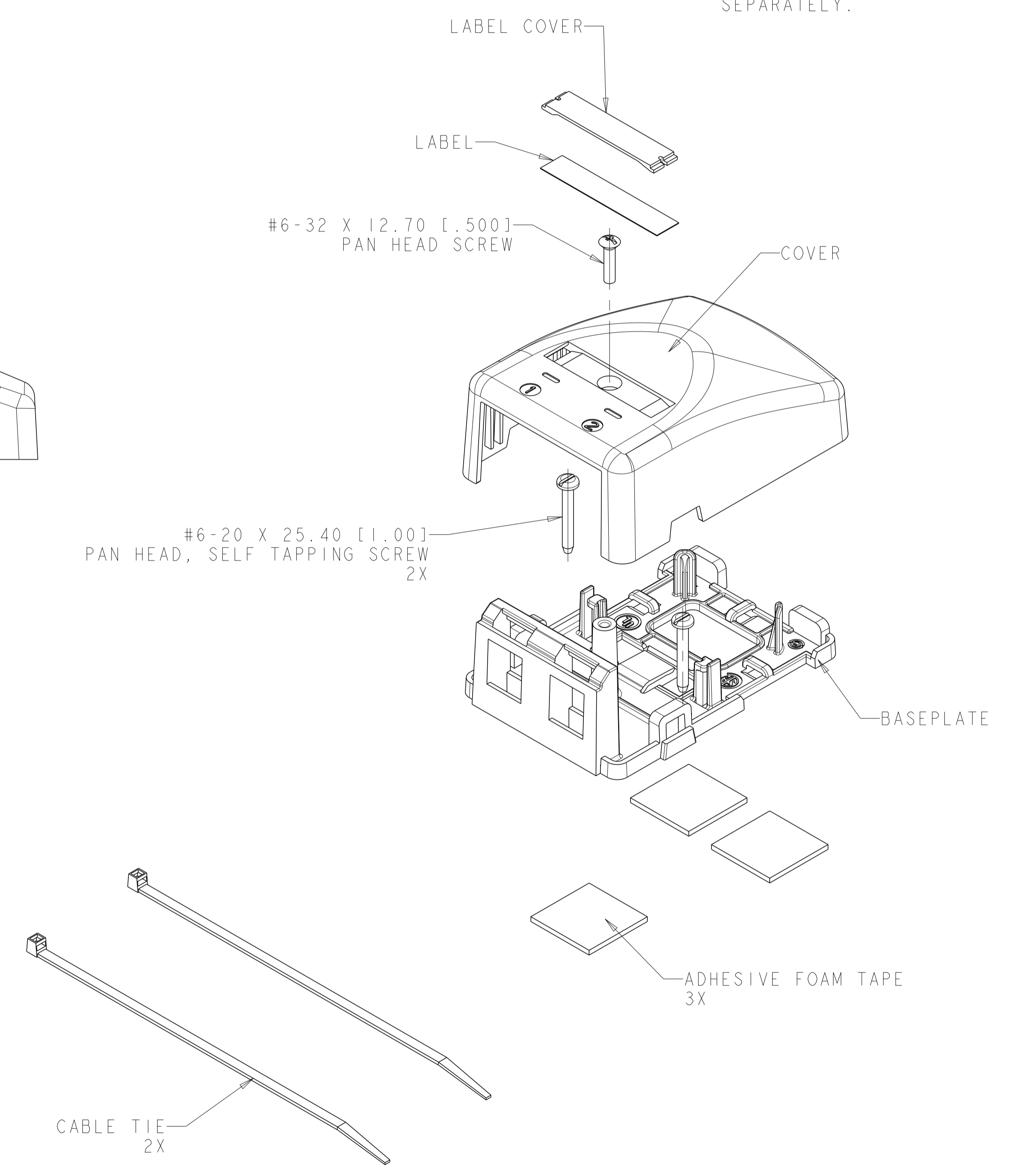


LOC		DIST		REVISIONS			
P	LTN	DESCRIPTION	DATE	DMN	APVD		
A		RLSD; ECO-09-006765	16 MAR2009	GG	RA		
B		REV: ECO-10-012110	10 JUN2010	GG	RA		
C		REV: MCO-40026185MCO	09 NOV2015	HG	LS		



⚠ MATERIAL: BASE AND COVER - POLYCARBONATE MOLDING COMPOUND. SEE TABLE FOR COLOR.
 LABEL COVERS - POLYCARBONATE MOLDING COMPOUND.
 LABELS - WHITE INDEX PAPER.
 SCREWS - ZINC PLATED CARBON STEEL.
 FOAM TAPE - POLYETHYLENE
 CABLE TIE - NYLON 6/6

- THIS KIT SHIPPED NOT ASSEMBLED.
- ACCEPTS ANY COMBINATION OF SL-SERIES, AND AMP-TWIST MODULAR JACKS, MT-RJ OUTLET JACKS AND SL SERIES MULTI MEDIA INSERTS.
- BASE ACCEPTS MAGNET FOR OPTIONAL MOUNTING TO METAL SURFACE. MAGNET (1933677-1) PURCHASED SEPARATELY.



ALPINE WHITE	I-1933668-3
ELECTRIC IVORY	I-1933668-1
NEMA GRAY	1933668-4
BLACK	1933668-2
LIGHT ALMOND	1933668-1
COLOR	PART NUMBER

<small>THIS DRAWING IS UNPUBLISHED. RELEASED FOR PUBLICATION. ALL RIGHTS RESERVED. THIS DRAWING IS UNPUBLISHED. RELEASED FOR PUBLICATION. ALL RIGHTS RESERVED. THIS DRAWING IS UNPUBLISHED. RELEASED FOR PUBLICATION. ALL RIGHTS RESERVED.</small>		DMN: J MCNEAL 08JUL2008 CHK: S TOBEY 08JUL2008 APVD: S TOBEY 08JUL2008	Tyco Electronics Harrisburg, PA 17105-3608
DIMENSIONS: mm [INCHES]	TOLERANCES UNLESS OTHERWISE SPECIFIED: 0 PLC ±. 1 PLC ±.25 2 PLC ±. 3 PLC ±. 4 PLC ±. ANGLES ±2° FINISH:	NAME: KIT, 2 PORT SURFACE MOUNT MODULE PRODUCT SPEC: APPLICATION SPEC: WEIGHT:	SIZE: A100779 CAGE CODE: C=1933668 SCALE: 1:2 SHEET 1 OF 1 REV C
MATERIAL:		Customer Drawing	RESTRICTED TO: