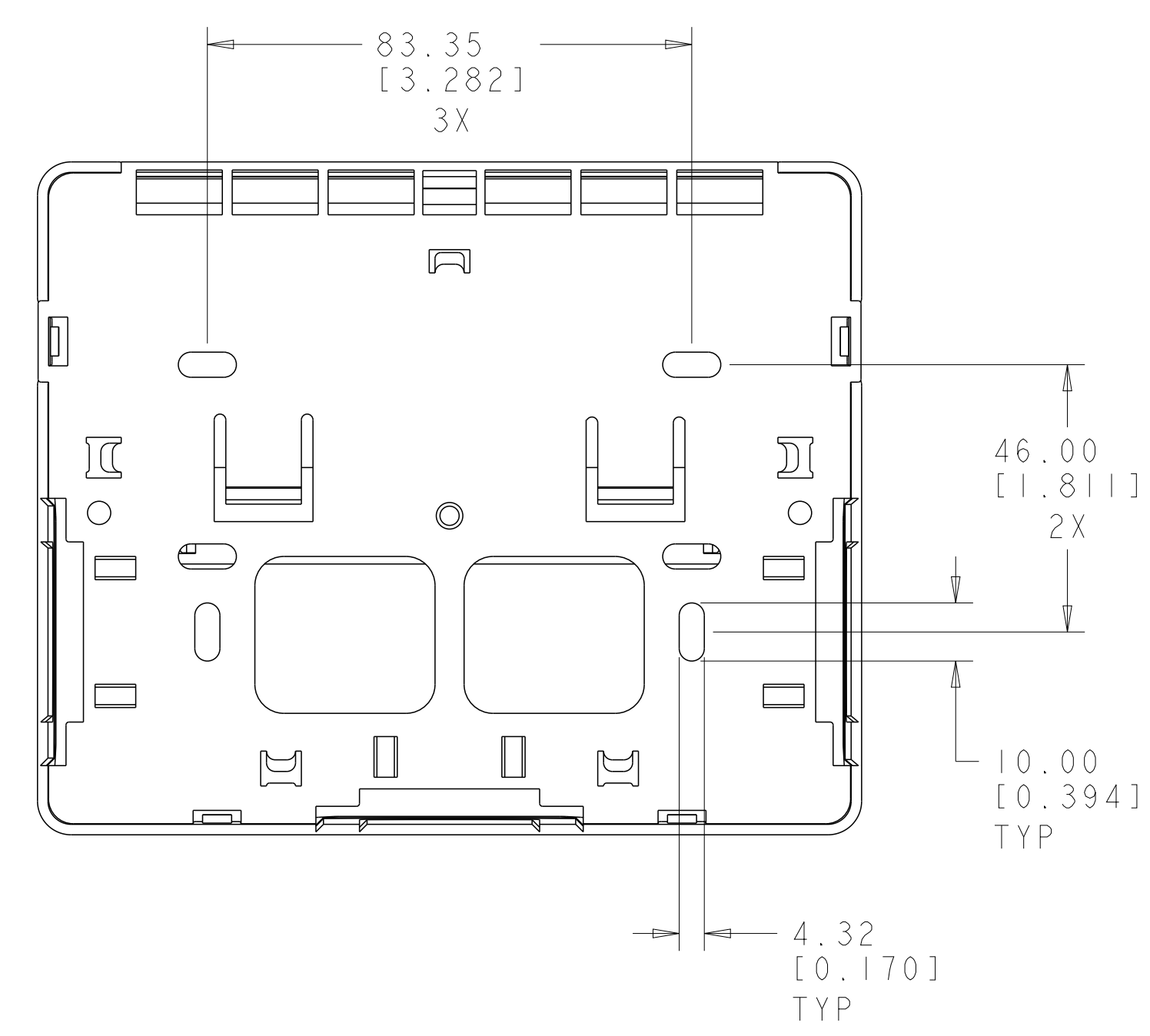
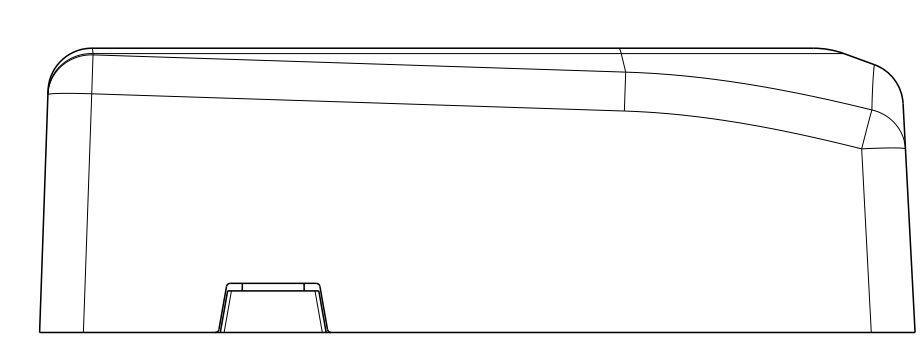
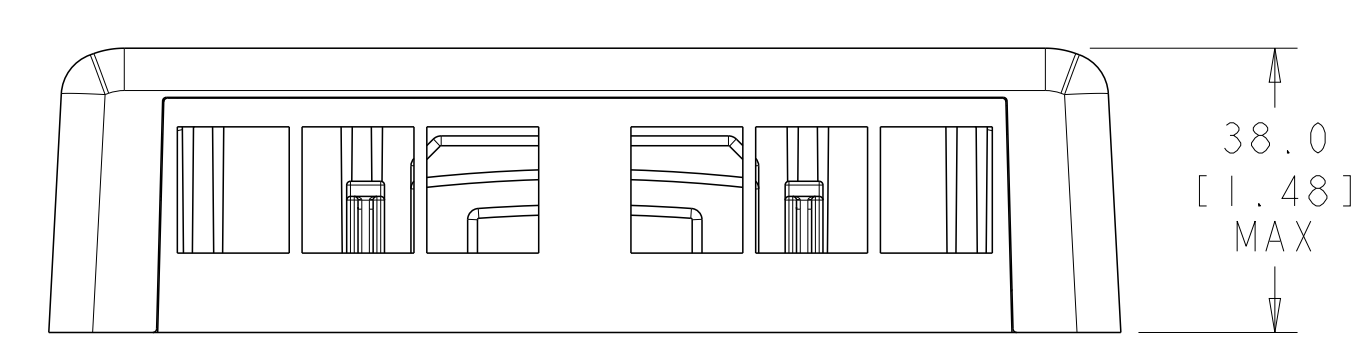
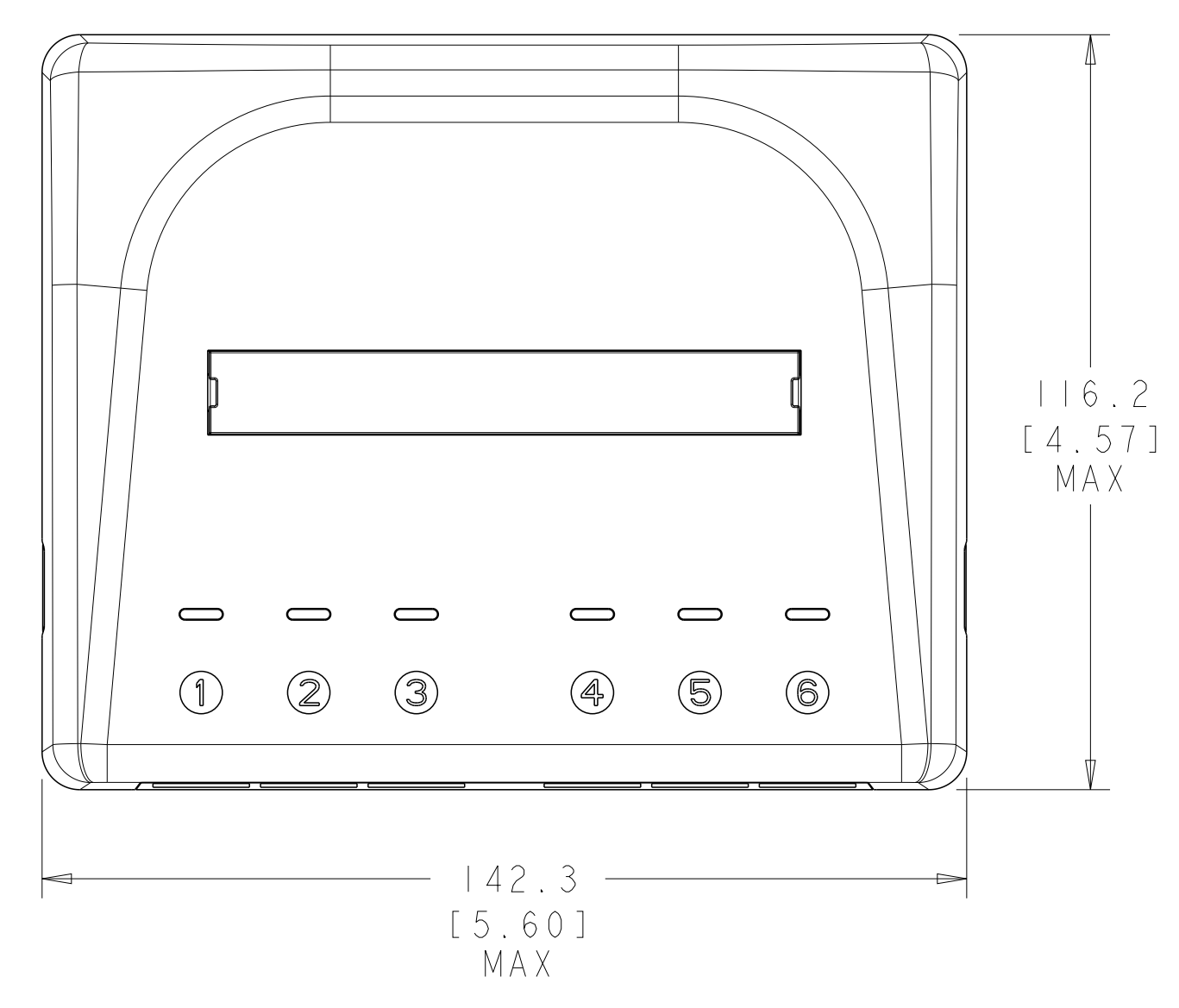
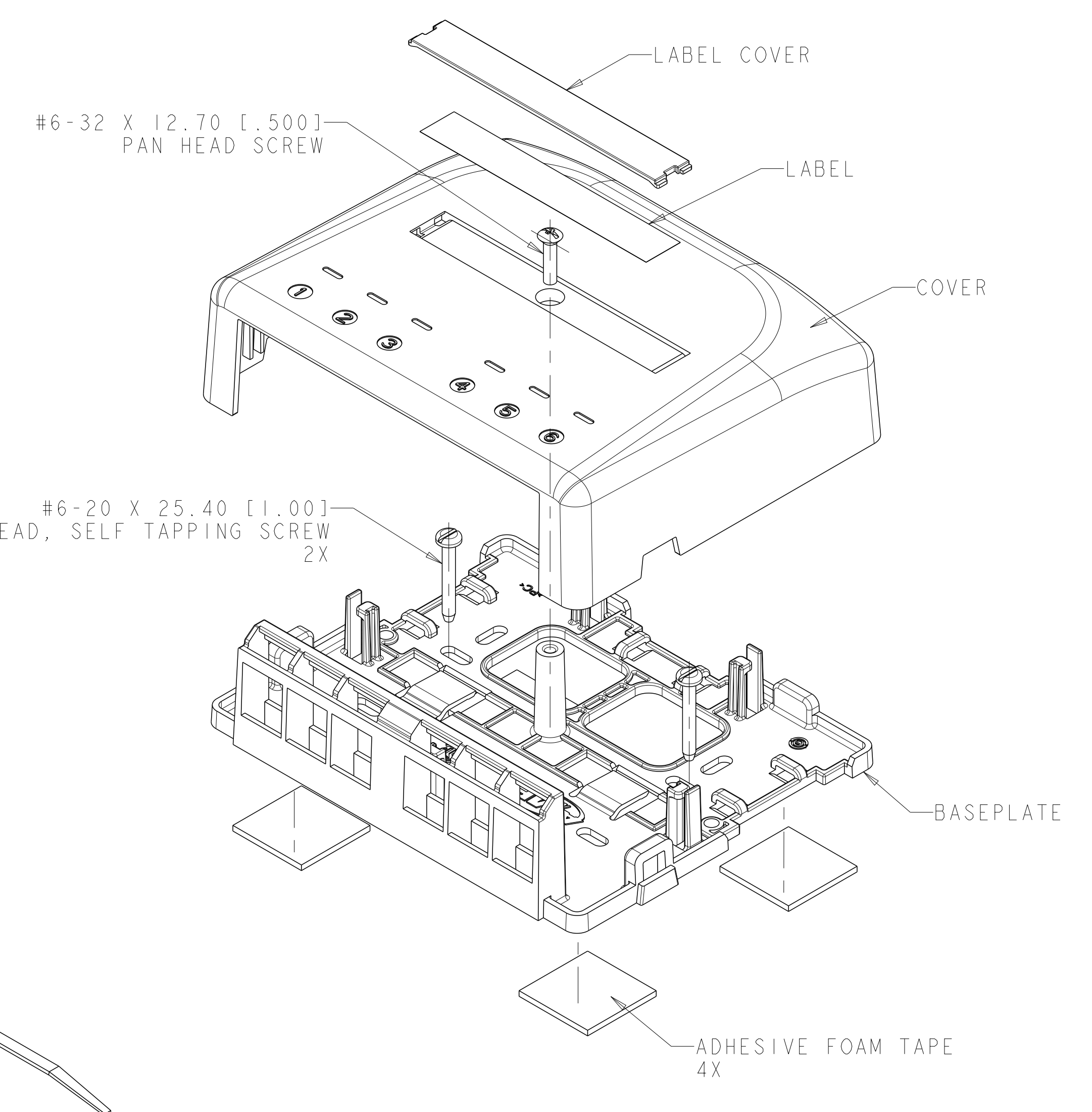


LOC		DIST		REVISIONS			
P	LTN	DESCRIPTION	DATE	DWN	APVD		
B		REV: ECO-10-012110	10 JUN2010	GG	RA		
C		REV ECO-11-015902	04 AUG2011	LH	RA		
D		REV: MCO-40026185MCO	09 NOV2015	HG	LS		



- ⚠ MATERIAL: BASE & COVER - POLYCARBONATE MOLDING COMPOUND. SEE TABLE FOR COLOR.
 LABEL COVERS - POLYCARBONATE MOLDING COMPOUND.
 LABELS - WHITE INDEX PAPER.
 SCREWS - ZINC PLATED CARBON STEEL.
 FOAM TAPE - POLYETHYLENE
 CABLE TIE - NYLON 6/6
- THIS KIT SHIPPED NOT ASSEMBLED.
 - ACCEPTS ANY COMBINATION OF SL-SERIES, AND AMP-TWIST MODULAR JACKS, MT-RJ OUTLET JACKS AND SL SERIES MULTI MEDIA INSERTS.
 - BASE ACCEPTS TWO MAGNETS FOR OPTIONAL MOUNTING TO METAL SURFACE. MAGNET (1933677-1) PURCHASED SEPARATELY.



ALPINE WHITE	1-1933674-3
ELECTRIC IVORY	1-1933674-1
NEMA GRAY	1933674-4
BLACK	1933674-2
LIGHT ALMOND	1933674-1
COLOR	PART NUMBER

THIS DRAWING IS A CONTROLLED DOCUMENT.

DIMENSIONS: mm [INCHES]

TOLERANCES UNLESS OTHERWISE SPECIFIED:

0 PLC	±
1 PLC	±.25
2 PLC	±
3 PLC	±
4 PLC	±
ANGLES	±2°
FINISH	

MATERIAL:

Customer Drawing

DWN: J. MCNEAL 30JUN2008
 CHK: S. TOBEY 30JUN2008
 APVD: S. TOBEY 30JUN2008

NAME: KIT, 6 PORT SURFACE MOUNT MODULE

SIZE: A1 00779 C=1933674

SCALE: 1:2 SHEET 1 OF 1 REV D

TE Connectivity