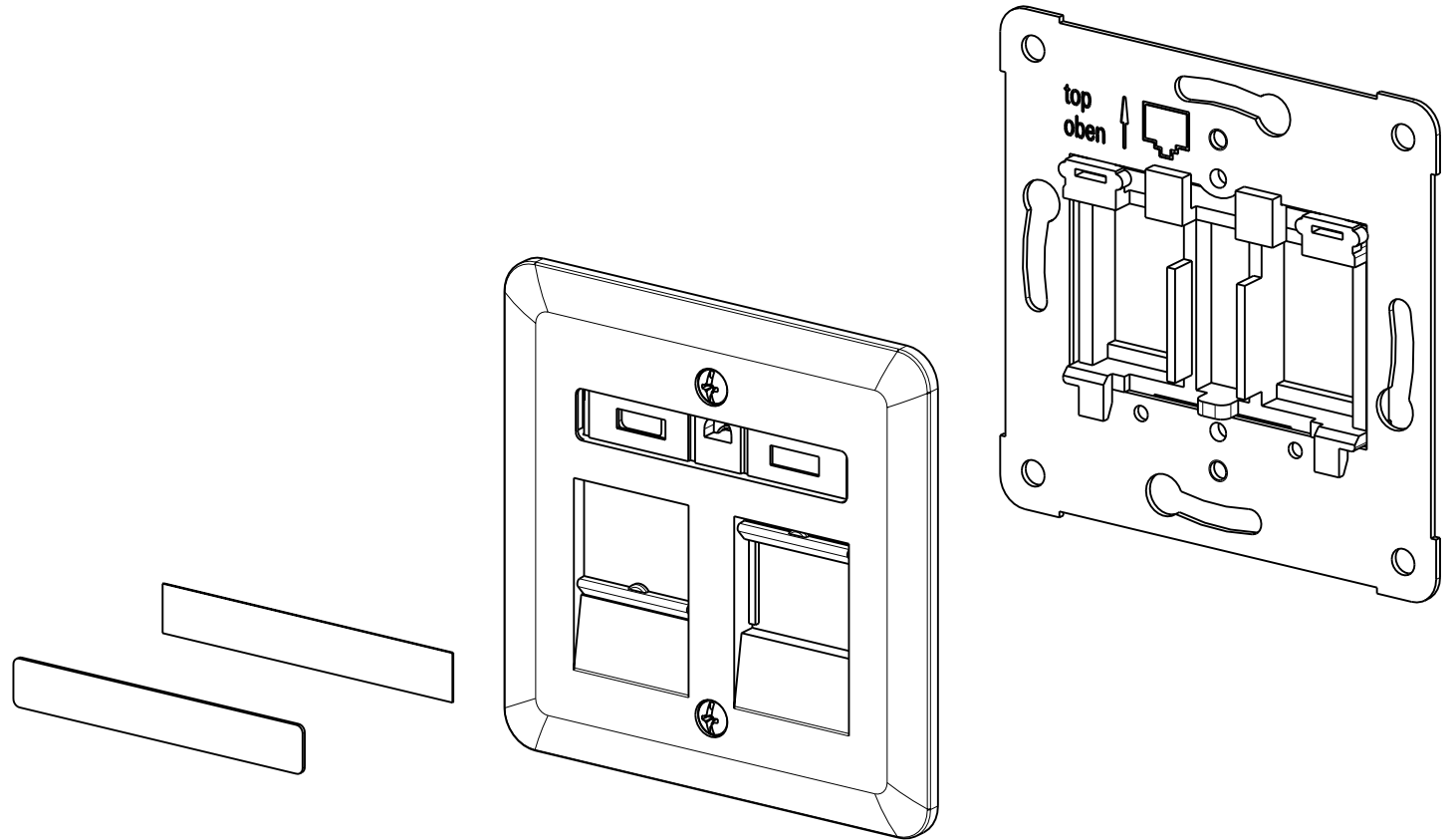


THIS DRAWING IS UNPUBLISHED. RELEASED FOR PUBLICATION 2008
 © COPYRIGHT 2008 BY TYCO ELECTRONICS CORPORATION. ALL RIGHTS RESERVED.

LOC	DIST	REVISIONS					
		P	LTR	DESCRIPTION	DATE	DWN	APVD
1K	2		A	CUSTOMER DRAWING RELEASED	09DEC2008	L.C.	J.S.



1. PRODUCT DESCRIPTION.
 DIN STANDARD OUTLET FOR RECESSED MOUNTING,
 TO ACCEPT UP TO 2 SL OR 110 JACKS

RAL 9010, WHITE	COVER UNPRINTED	2-966224-1
RAL 1013, ALMOND	COVER UNPRINTED	966224-1
COLOUR	DESCRIPTION	PART NUMBER

<small>THIS DRAWING IS A CONTROLLED DOCUMENT FOR TYCO ELECTRONICS CORPORATION IT IS SUBJECT TO CHANGE AND THE CONTROLLING ENGINEERING ORGANIZATION SHOULD BE CONTACTED FOR THE LATEST REVISION.</small>		DWN	09DEC2008	Tyco Electronics AMP España, S.A. Barcelona, Spain			
DIMENSIONS:		CHK	09DEC2008				
mm		APVD	09DEC2008				
		PRODUCT SPEC -		NAME SINGLECOVER+MOUNTING FRAME FOR 110 MOD. JACK			
TOLERANCES UNLESS OTHERWISE SPECIFIED: 0 PLC ±- 1 PLC ±- 2 PLC ±- 3 PLC ±- 4 PLC ±- ANGLES ±-		APPLICATION SPEC -					
MATERIAL -		WEIGHT -		SIZE A3 CAGE CODE 00779 DRAWING NO C-966224			
FINISH -		CUSTOMER DRAWING		RESTRICTED TO -			
				SCALE	SHEET	OF	REV A