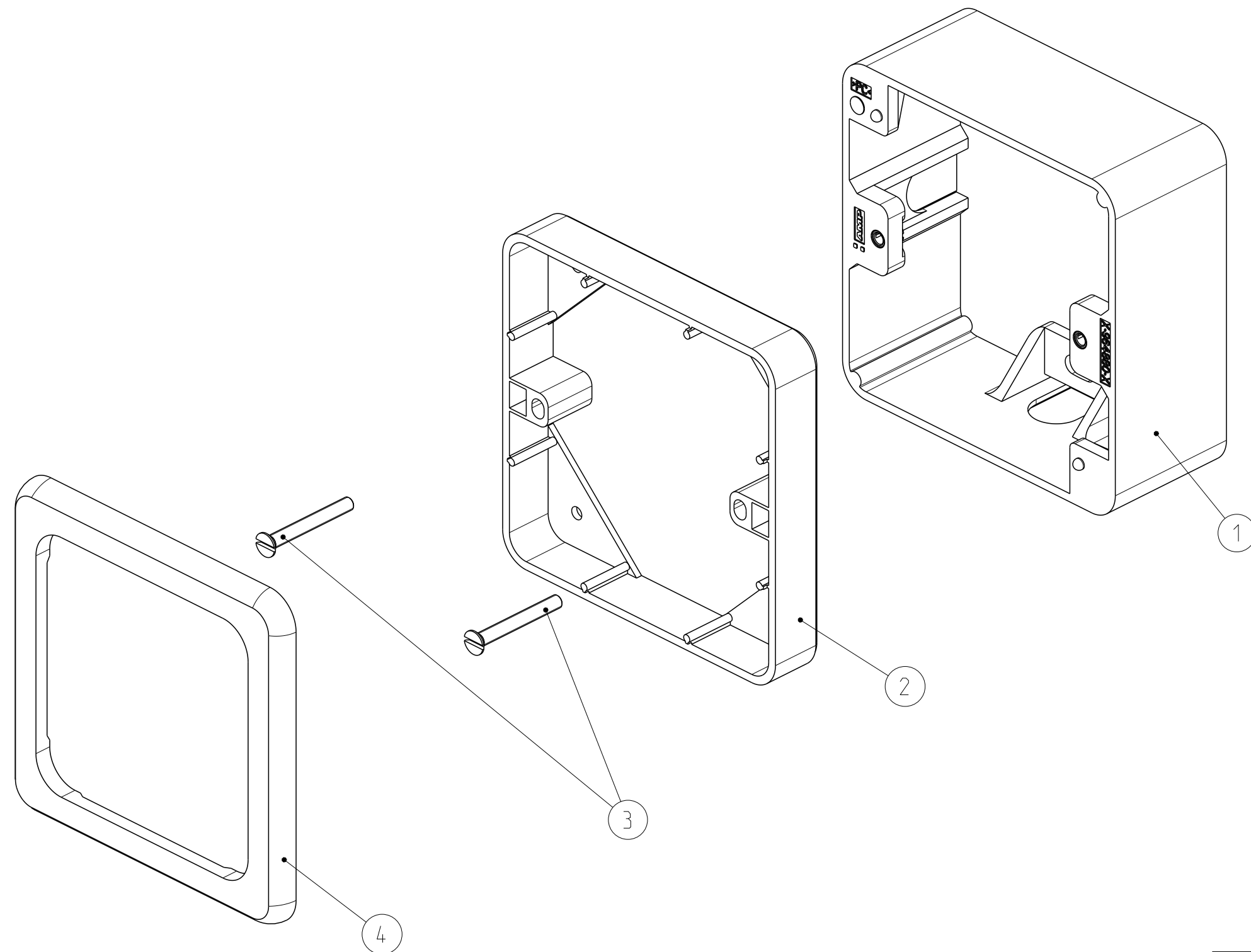


REVISIONS				
P	LTR	DESCRIPTION	DATE	APVD
	A	UPDATED DRAWING	29SEP2005	MP JS
	A1	ECR-15-000755	22APR2015	LC JS



PACKAGING

10 KITS PACKED INTO
 BOX 300X165X120 mm.
 PROVIDED WITH DESCRIPTION,
 TE PN AND QUANTITY

		OBSOLETE	OBSOLETE	OBSOLETE								
1	+	-	1	+	-	-	+	-	PC	SINGLE DIN COVER, WHITE RAL 9010	4	
-	+	-	-	+	-	-	+	-	PC	SINGLE DIN COVER, LIGHT GREY RAL 7035		
-	+	1	-	+	1	-	+	-	PC	SINGLE DIN COVER, ALMOND RAL 1013		
2	2	2	2	2	2	2	2	2	4.8	SCREW M3X25, ZINK PLATED	3	
-	+	-	1	+	-	1	+	-	PC	ADAPTER RING, WHITE RAL 9010	2	
-	+	-	-	+	-	-	+	-		ADAPTER RING, LIGHT GREY RAL 7035		
-	+	-	-	+	1	-	+	1		ADAPTER RING, ALMOND RAL 1013		
1	+	-	1	+	-	1	+	-	PC	SURFACE INSTALL. BOX, WHITE RAL 9010	1	
-	+	-	-	+	-	-	+	-		SURFACE INSTALL. BOX, LIGHT GREY RAL 7035		
-	+	1	-	+	1	-	+	1		SURFACE INSTALL. BOX, ALMOND RAL 1013		
2-3	1+3	-3	2-2	1+2	-2	2-1	1+1	-1	MATERIAL	DESCRIPTION	ITEM	

THIS DRAWING IS A CONTROLLED DOCUMENT.

DWN	L. COBACHO	29SEP2005
CHK	R. MATEO	29SEP2005
APVD	J. SANABRA	29SEP2005

TE Connectivity

NAME: SURFACE INSTALLATION BOX KIT 80X80

SIZE: A2 CAGE CODE: - DRAWING NO: C-966740 RESTRICTED TO: -

SCALE: 1:1 SHEET: 1 OF 1 REV: A1

Customer Drawing

DIMENSIONS: mm		TOLERANCES UNLESS OTHERWISE SPECIFIED:	
0 PLC	±	0 PLC	±
1 PLC	±	1 PLC	±
2 PLC	±	2 PLC	±
3 PLC	±	3 PLC	±
4 PLC	±	4 PLC	±
ANGLES	±	ANGLES	±
FINISH	-	FINISH	-