

THIS DRAWING IS UNPUBLISHED. RELEASED FOR PUBLICATION  
 © COPYRIGHT -96 BY TYCO ELECTRONICS CORPORATION. ALL RIGHTS RESERVED.

Loc	DIST	REVISIONS					
		P	LTR	DESCRIPTION	DATE	DWN	APVD
IK	2		B1	POSITION 5 NEU HINZU	13.12.01	TILLE	S.C
			B2	UPDATED DRAWING	29-09-05	M.P.	J.S.

VERPACKUNGSEINHEIT:

- 1x SCHRÄGABDECKUNG
- 1x MONTAGERAHMEN
- 1x ADAPTEREINSATZ
- 2x SCHRAUBE
- 1x ABDECKKRAHMEN

TEILE IN KUNSTSTOFF-  
BEUTEL VERPACKT

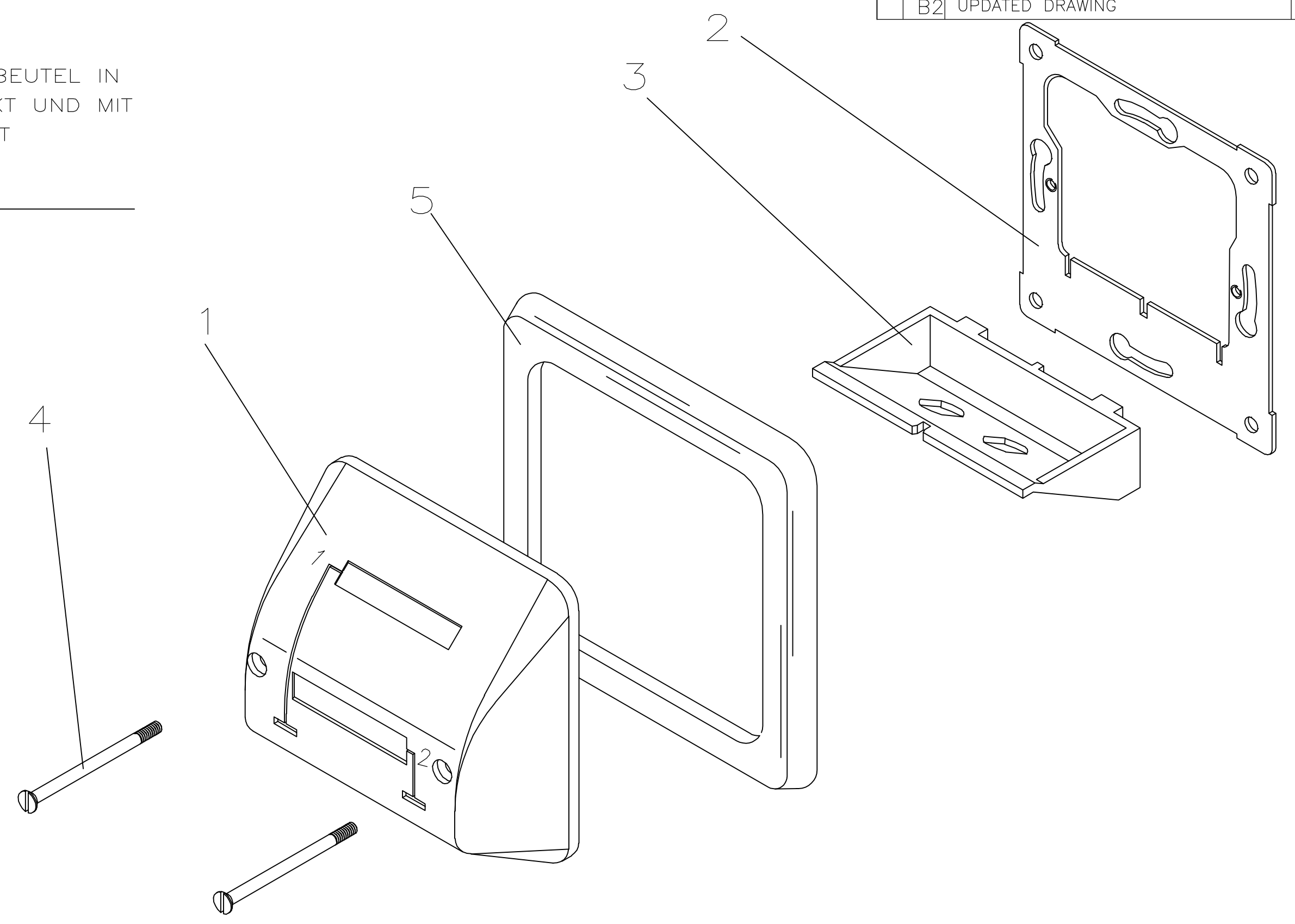
10 KUNSTSTOFFBEUTEL IN  
KARTON VERPACKT UND MIT  
AMP-PN BEDRUCKT

PACKING UNIT:

- 1x ANGLED COVER
- 1x MOUNTING FLANGE
- 1x MOUNTING INSERT
- 2x SCREW
- 1x SINGLE DIN COVER

PARTS PACKED  
INTO POLYBAG

10 BAGS PACKED INTO  
CARDBOARD BOX PROVIDED  
WITH AMP-PN



BESTELL-NR. PART-NO.	2-966 936-5	2-966 936-4	2-966 936-3	2-966 936-2	966 936-5	966 936-4	966 936-3	966 936-2
1	-	-	-	-	-	-	-	-
-	-	-	-	-	1	-	-	-
1	-	-	-	-	-	-	-	-
-	-	-	-	-	1	-	-	-
2	2	2	2	2	2	2	2	2
-	1	-	-	-	-	-	-	-
-	-	1	-	-	-	-	-	-
-	-	-	1	-	-	-	-	-
-	-	-	-	-	1	-	-	-
-	-	-	-	-	-	-	1	-
1	1	1	1	1	1	1	1	1
1	1	1	1	-	-	-	-	-
-	-	-	-	1	1	1	1	1

POS. ITEM-NO	BENENNUNG EINZELTEIL DESCRIPTION	WERKSTOFF MATERIAL	OBERFLÄCHE/PLATING FARBE/COLOR
5	ABDECKKRAHMEN SINGLE DIN COVER	PC	RAL9010
5	ABDECKKRAHMEN SINGLE DIN COVER	PC	RAL1013
3	ADAPTEREINSATZ MOUNTING INSERT (2xMT-RJ)	PC	RAL 9010
3	ADAPTEREINSATZ MOUNTING INSERT (2xMT-RJ)	PC	RAL 1013
4	SCHRAUBE SCREW	St	VERZINKT ZINC PLATED
3	ADAPTEREINSATZ MOUNTING INSERT (2xST)	PC	RAL 9010
3	ADAPTEREINSATZ MOUNTING INSERT (2xBNC)	PC	RAL 9010
3	ADAPTEREINSATZ MOUNTING INSERT (2xSC)	PC	RAL 9010
3	ADAPTEREINSATZ MOUNTING INSERT (2xST)	PC	RAL 1013
3	ADAPTEREINSATZ MOUNTING INSERT (2xBNC)	PC	RAL 1013
3	ADAPTEREINSATZ MOUNTING INSERT (2xSC)	PC	RAL 1013
2	MONTAGERAHMEN MOUNTING FLANGE	St	VERZINKT ZINC PLATED
1	SCHRÄGABDECKUNG ANGLED COVER	PC	RAL9010
1	SCHRÄGABDECKUNG ANGLED COVER	PC	RAL1013

THIS DRAWING IS A CONTROLLED DOCUMENT.

DWN	M.PANADERO	29-09-05
CHK	R.MATEO	29-09-05
APVD	J.SANABRA	29-09-05

NAME: ANGLED COVER KIT

SIZE: A2 CAGE CODE: 00779 DRAWING NO: C=966936 RESTRICTED TO: -

SCALE: 1:1 SHEET: 1 OF 1 REV: B2

CUSTOMER DRAWING