

**3 PORT DIN OUTLET INST. KIT for
AMP NETCONNECT * SL-Series connectors
P/N X-336613-X and X-336614-X**

1.- PRODUCT DESCRIPTION

This 3 Port DIN Outlet is designed to accept AMP NETCONNECT* SL Series connectors. Figure 1-a and fig.1-b shows the exploded views of the installation kits.

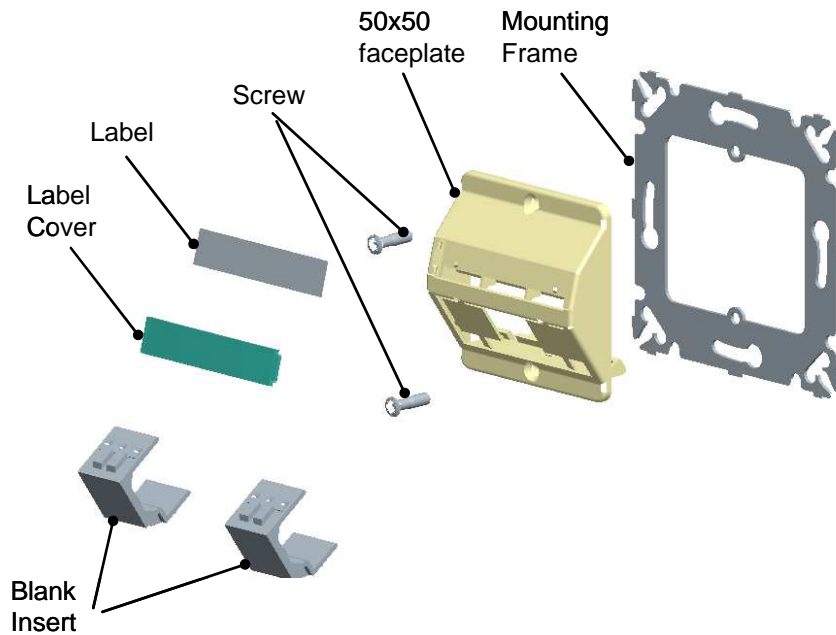


Figure 1-a
Part Number X-336613-Y. The 80x80 frame is not included in the kit.
Other 80x80 frames from different manufacturers may be used.

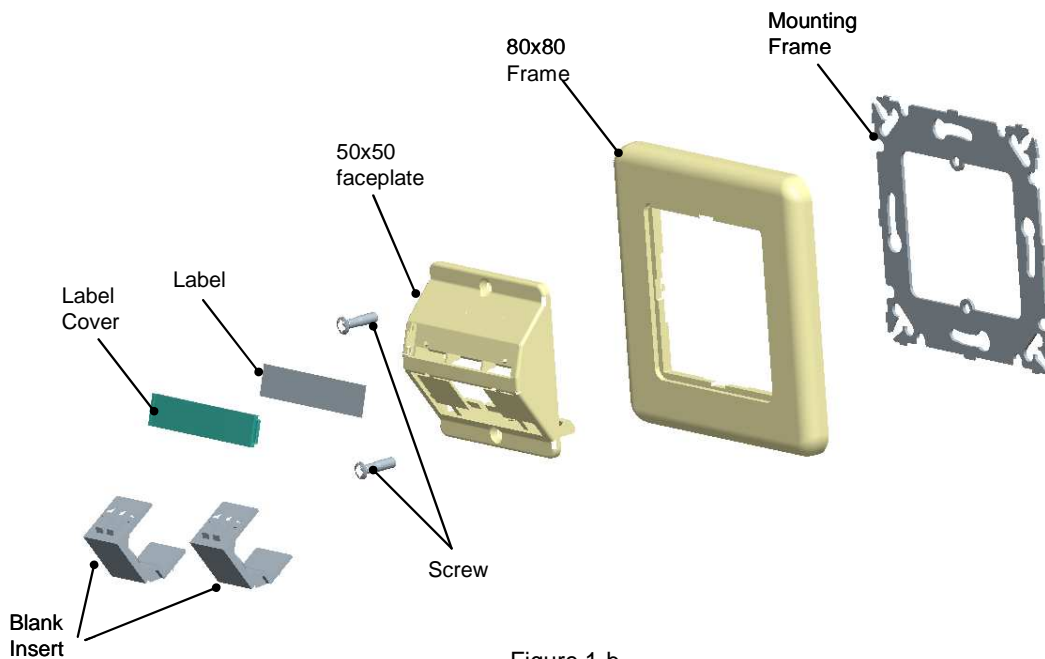


Figure 1-b
Part Number X-336614-Y. AMP NETCONNECT Solution. This kit includes the 80x80 frame.

NOTE

SL Series connectors are not included in the kits. SL Series blank inserts are included in kits. (Views are only for reference).

2.- REFERENCE DOCUMENTS


AMP NETCONNECT customer drawings are available from the service network. The information contained in the customer drawings takes priority if there is any conflict with this specification or with any other technical documentation supplied by AMP NETCONNECT.

3.- DESCRIPTION

- Each application Kit consists of:
- X-336613-Y (Fig. 1-a): 1 mounting frame 71x71 mm, 1 faceplate 50x50, 2 shaft-screws (M3), white paper label, 1 transparent label cover and 2 SL Series blank inserts.
 - X-336614-Y (Fig. 1-b): 1 mounting frame 71x71 mm, 1 frame 80x80, 1 faceplate 50x50, 2 shaft-screws (M3), white paper label, 1 transparent label cover and 2 SL Series blank inserts.

3.1 Compatible with: Refer to below table:

Connector type: SL	Category	Shield	Dust Cover	Tyco Electronics PN	View (for ref. only)
Tool-less	5e	Yes	No	1339015-X	
	5e	No	No	1116604-X	
	5e	No	Yes	1339189-X	
110	6	Yes	No	1375188-X	
	6	No	No	1375055-X	
AMP-TWIST	6	Yes	Yes / No	1711160-X / 1711342-X	
	6A	Yes	Yes / No	1711592-X / 1711716-X	
	7A	Yes	Yes / No	1711441-X / 1711437-X	

SL aux. component:	Tyco Electronics PN	Function	View
Blank insert	1116412-X	Replace the faceplate's breakable tab when has been broken	

NOTE For connectors termination procedures, refer to Instruction sheet related to each jack type.

3.2 Applications: Flush mounting, Surface mounting (With and w/o Tyco Electronics spacer PN 966740-X) and cable channel or trunks.

3.3 Material/Color:

- Faceplate, frame and label cover: Polycarbonate according to RAL 9010 (White) and RAL 1013 (almond).
- Mounting frame: Pre-Zinc plated steel.

3.4 Packaging: According to TE packaging spec. 107-22041.

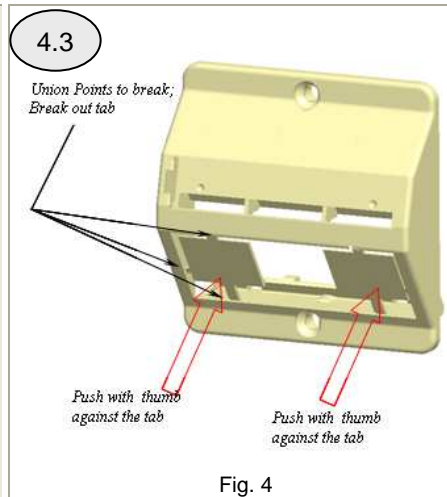
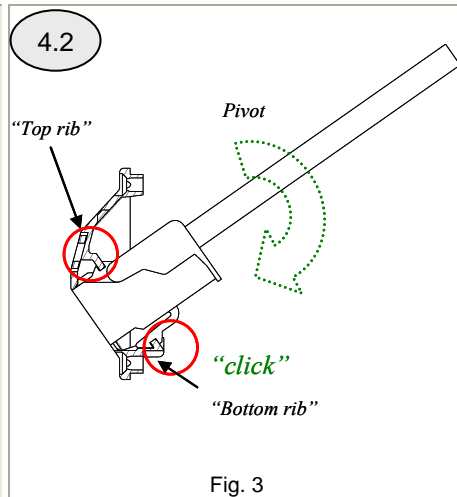
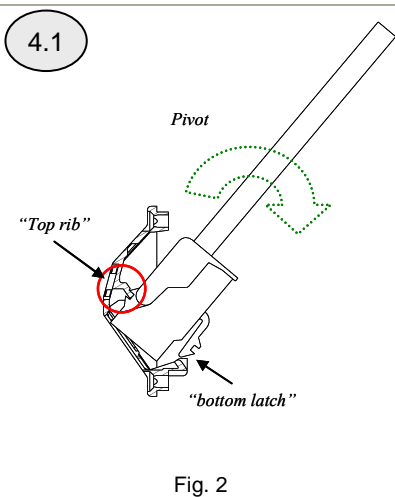
3.5 Main features:

- Faceplate: Fixtures for connectors are polarized. Fixed screw (Shaft-screws) and break-out tabs are used.
- Mounting Frame: Fixing holes according to standard.
- Frame: According to standard.

4.- MOUNTING PROCESS

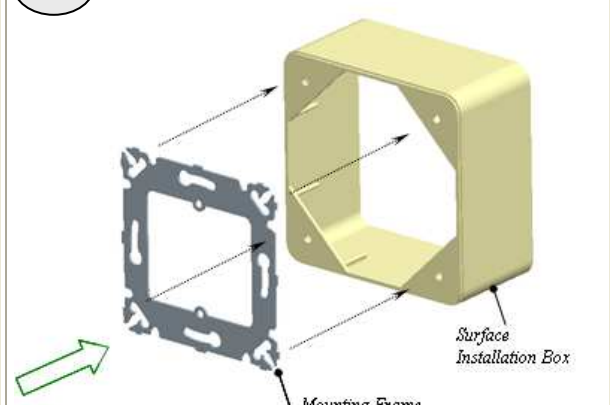
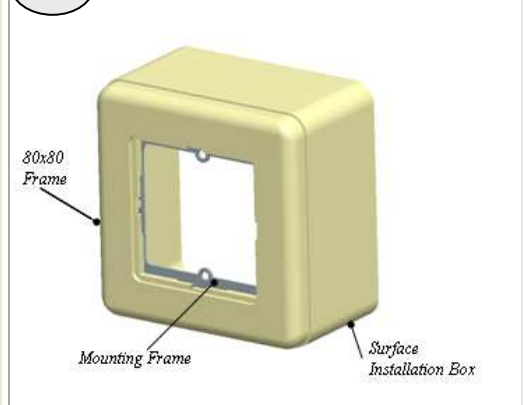
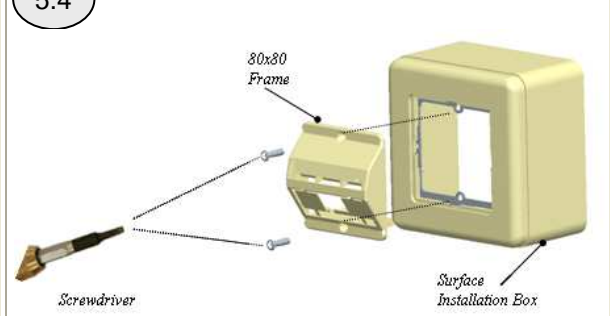
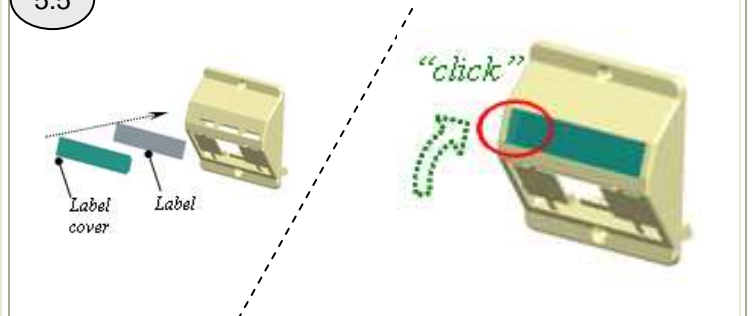
Follow next steps in order to assembly the connectors (or blank insert).

NOTE *If only 1 connector is assembled, use the central hole in faceplate according to step 1 and step 2.
If 2 or 3 connectors are assembled, it is necessary to break out the breakable walls (tabs) first, as fig.4 shows, and continue as described in fig.2 and fig.3.*

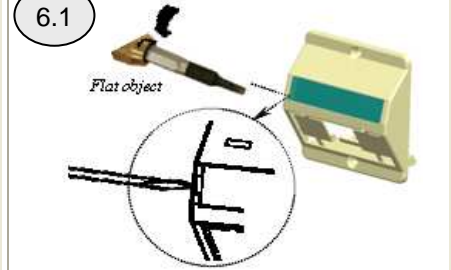
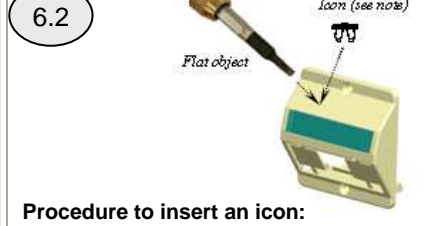


5. - INSTALLATION PROCEDURE.

Follow next steps in order to assembly the connectors (or blank insert).

<p>5.1</p>  <p>Place and fix the mounting frame (metal) over the application (refer to 3.2 – applications) choosing the adequate holes, according to each application holes.</p>	<p>5.2</p>  <p>On the mounting frame, place the 80x80 frame: From AMP NETCONNECT (PN 336608-X) or from another manufacturer.</p>	<p>5.3</p> <p>Mounting of the SL Series connectors according to figures 4.1 and 4.2.</p>
<p>5.4</p>  <p>Place the 50x50 Outlet on the frame and fix it with both screws to the mounting frame.</p>	<p>5.5</p>  <p>Assemble the label and the label cover into the faceplate.</p>	

6.- Complementary procedures:

<p>6.1</p>  <p>Procedure to extract the label cover: Unlock label cover by inserting (and twisting) a flat object (screwdriver) in the little slot. (See detail).</p>	<p>6.2</p>  <p>Procedure to insert an icon: By means of a flat object (screwdriver), perforate the selected icon hole, by punching two times in each hole, and place the icon.</p> <p>NOTE</p> <p>Additional color coding of the ports can be done by using icons PN 558176-X, 558198-X or 558199-X.</p>	<p>6.3</p> <p>REVISION SUMMARY:</p> <p>Rev. A: Initial release of doc. Rev. B: EC ES00-0169-02. Rev. C: Document updated with views and New Logos.</p> <p>Rev. C1: Sentence corrected on step 6.2.</p>
---	--	--