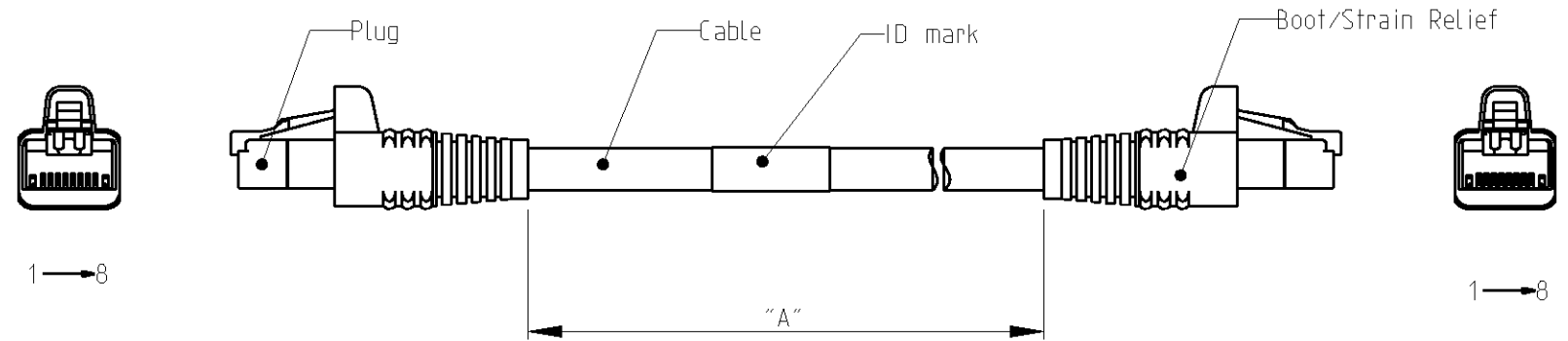


THIS DRAWING IS UNPUBLISHED. RELEASED FOR PUBLICATION 2009
 © COPYRIGHT 2009 BY TYCO ELECTRONICS CORPORATION. ALL RIGHTS RESERVED.

LOC	DIST	REVISIONS				
P	LTR	DESCRIPTION	DATE	DWN	APVD	
		Release	26May09	LD	JS	



1. RJ45 CAT6_A PATCH CABLE ASSEMBLIES ARE USED AS PATCH LEADS IN GENERIC CUSTOMER PREMISES CABLING ACCORDING TO ISO/IEC 11801. THEY CAN ALSO BE USED AS WORKSTATION/EQUIPMENT LEADS TO MAINTAIN CHANNEL PERFORMANCE.
2. FOR AVAILABLE DASH LENGTHS, DIM A SEE THE TYCO ELECTRONICS CATALOG.

<small>THIS DRAWING IS A CONTROLLED DOCUMENT FOR TYCO ELECTRONICS CORPORATION IT IS SUBJECT TO CHANGE AND THE CONTROLLING ENGINEERING ORGANIZATION SHOULD BE CONTACTED FOR THE LATEST REVISION.</small>		DWN L. de Dios 26May09 CHK M. Maqueda 26May09 APVD J. Sanabria 26May09	tyco Electronics AMP España, S.A. Barcelona, Spain.
DIMENSIONS: mm 	TOLERANCES UNLESS OTHERWISE SPECIFIED: 0 PLC ± 1 PLC ± 2 PLC ± 3 PLC ± 4 PLC ± ANGLES ±	PRODUCT SPEC 108-93040 APPLICATION SPEC 114-93006	NAME RJ45 PATCH CABLE ASSEMBLY Cat 6A, S/FTP LSZH, STRANDED, GREEN
MATERIAL -	FINISH -	WEIGHT -	SIZE A3 CAGE CODE - DRAWING NO ©=1711820 RESTRICTED TO -
CUSTOMER DRAWING		SCALE 1:1	SHEET 1 OF 1 REV A