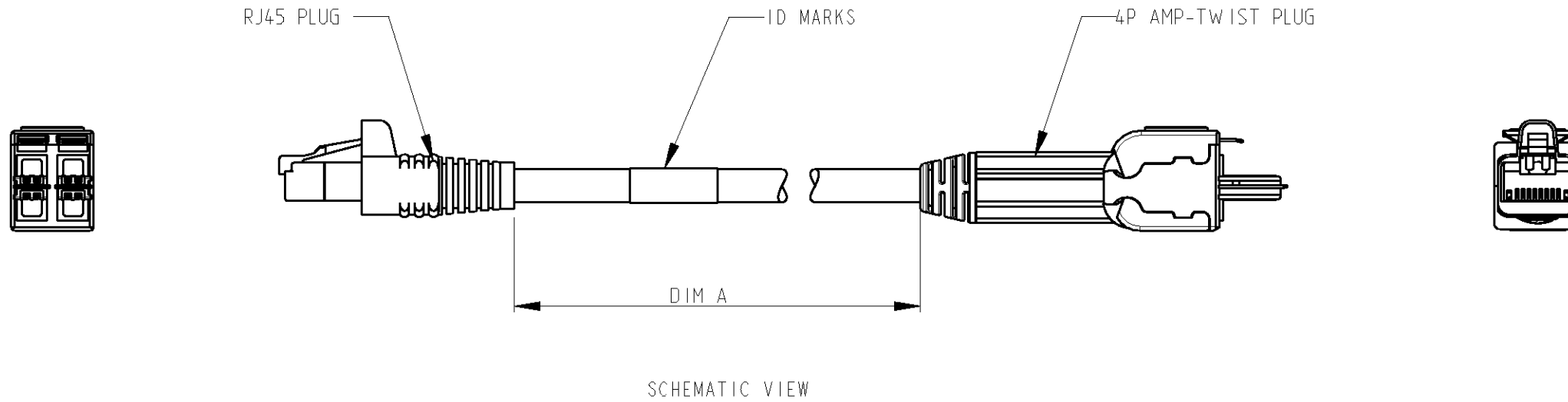


THIS DRAWING IS UNPUBLISHED. RELEASED FOR PUBLICATION 2009
 © COPYRIGHT 2006 BY TYCO ELECTRONICS CORPORATION. ALL RIGHTS RESERVED.

LOC	DIST	REVISIONS					
		P	LTR	DESCRIPTION	DATE	DWN	APVD
1K	2		D	ECR-09-013427	19-Jun-09	JG	JS
			D1	DWG HAS BEEN UPDATED	03-Aug-09	JG	JS



- 4 PAIR RJ45/AMP-TWIST Cat 6_A PATCH CABLE ASSEMBLIES ARE USED AS HYBRID PATCH LEADS IN GENERIC CUSTOMER PREMISES CABLING ACCORDING TO ISO/IEC 11801. THEY CAN ALSO BE USED AS WORKSTATION/EQUIPMENT LEADS TO MAINTAIN CHANNEL PERFORMANCE.
- FOR AVAILABLE DASH LENGTHS, DIM A, SEE THE TYCO ELECTRONICS CATALOGUE OR CONTACT YOUR SALES REPRESENTATIVE.

<small>THIS DRAWING IS A CONTROLLED DOCUMENT FOR TYCO ELECTRONICS CORPORATION IT IS SUBJECT TO CHANGE AND THE CONTROLLING ENGINEERING ORGANIZATION SHOULD BE CONTACTED FOR THE LATEST REVISION.</small>		DWN J.GATNAU 03-Aug-09 CHK M.MAQUEDA 03-Aug-09 APVD J.SANABRA 03-Aug-09	Tyco Electronics AMP España, S.A. Barcelona, Spain.
DIMENSIONS: mm 	TOLERANCES UNLESS OTHERWISE SPECIFIED: 0 PLC ± 1 PLC ± 2 PLC ± 3 PLC ± 4 PLC ± ANGLES ±	PRODUCT SPEC 108-93021 APPLICATION SPEC -	NAME PATCH CORD AMP-TWIST 7AS / RJ45 Cat 6a S/FTP, LSZH, STRANDED, WHITE
MATERIAL -	FINISH -	WEIGHT -	SIZE A3 CAGE CODE - DRAWING NO C=336488 RESTRICTED TO -
CUSTOMER DRAWING		SCALE -	SHEET 1 OF 1 REV 01