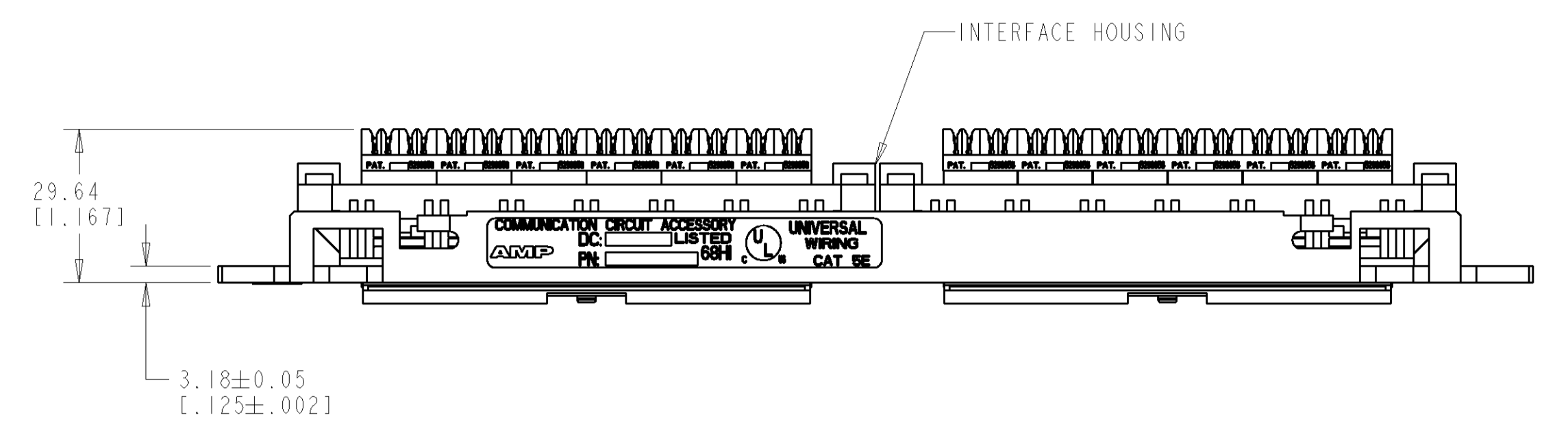
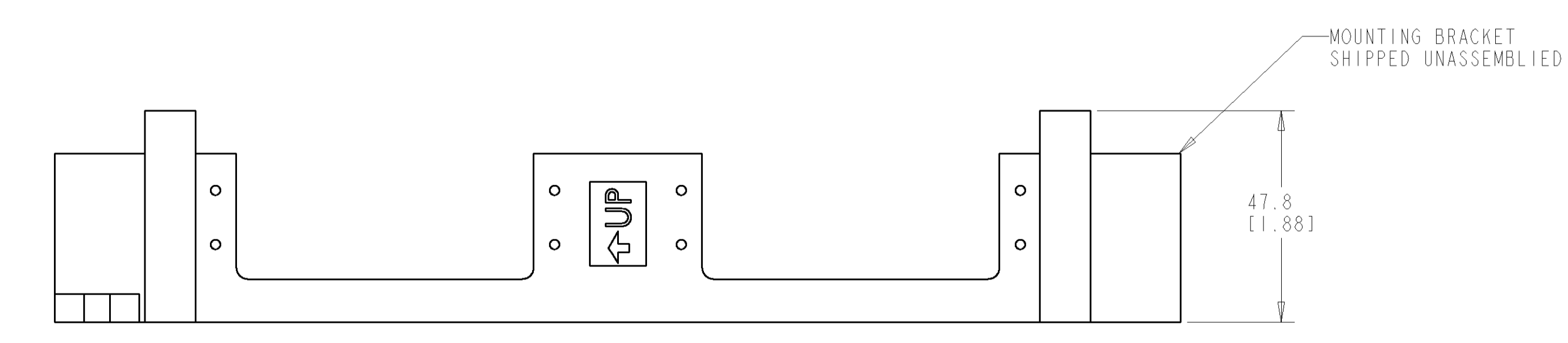
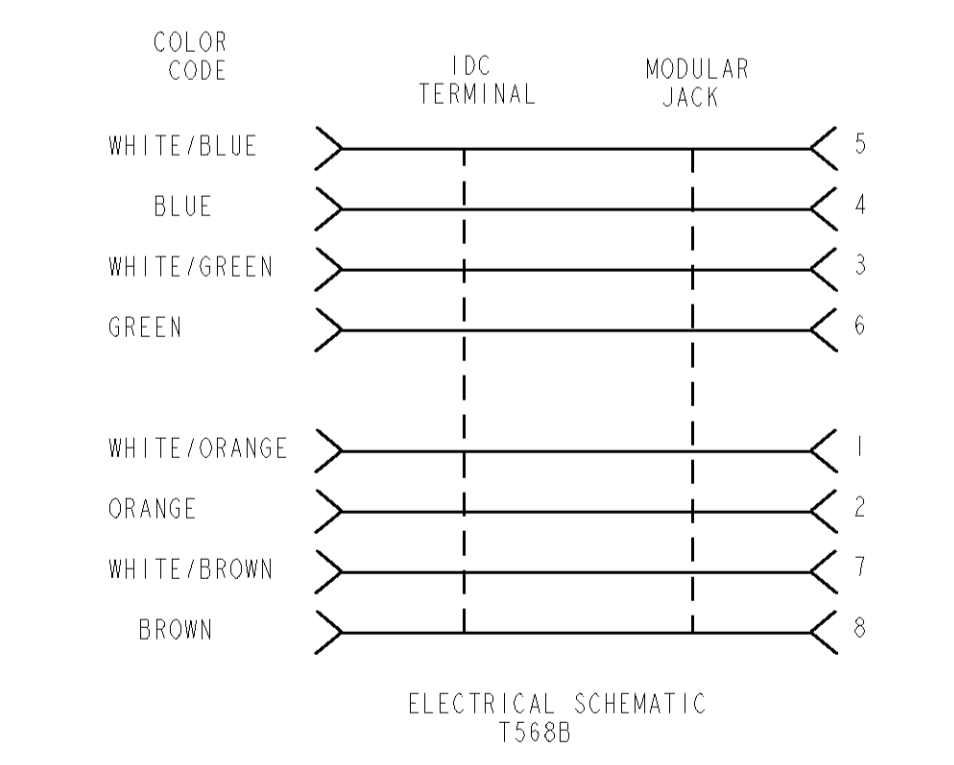
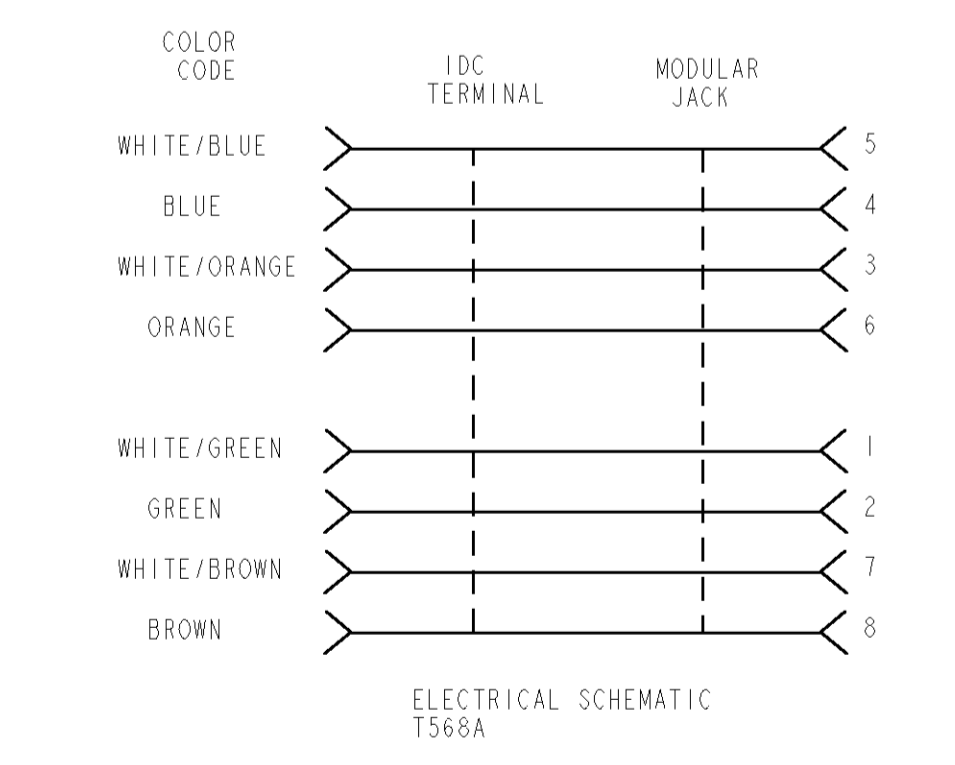
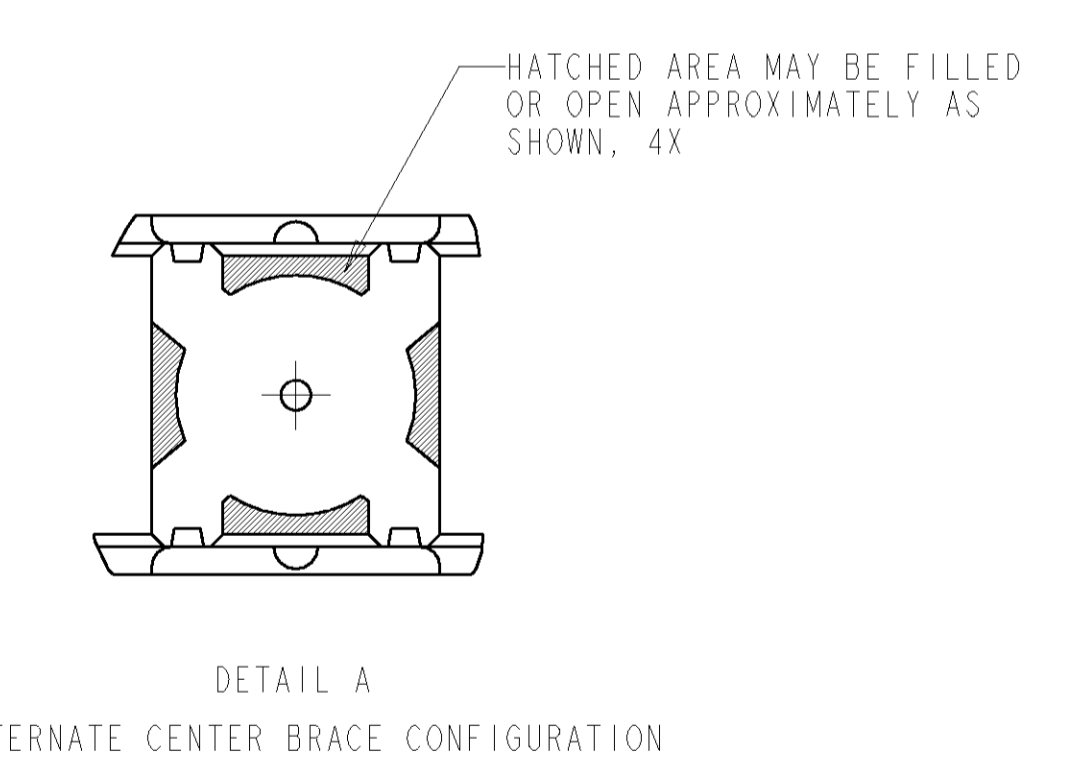
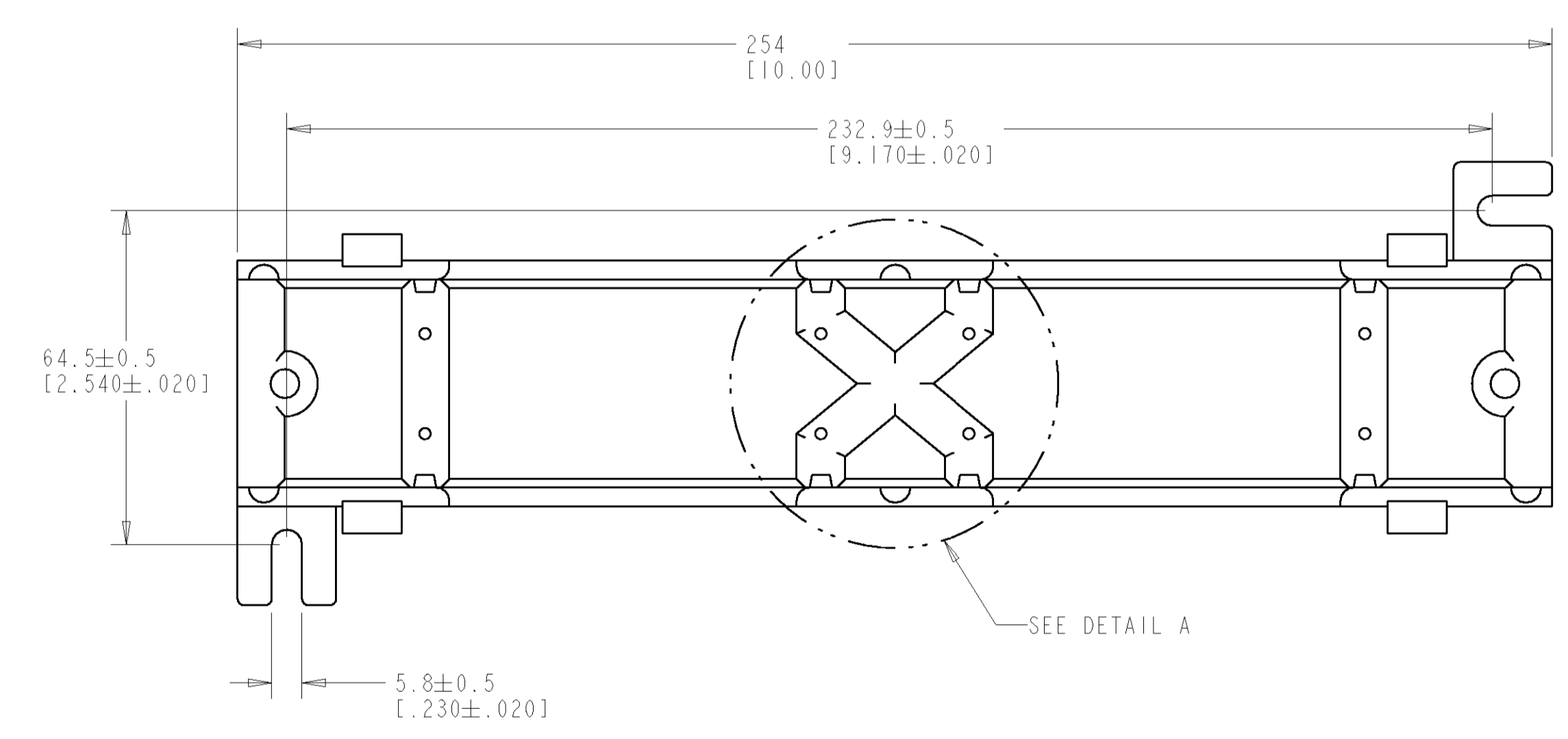
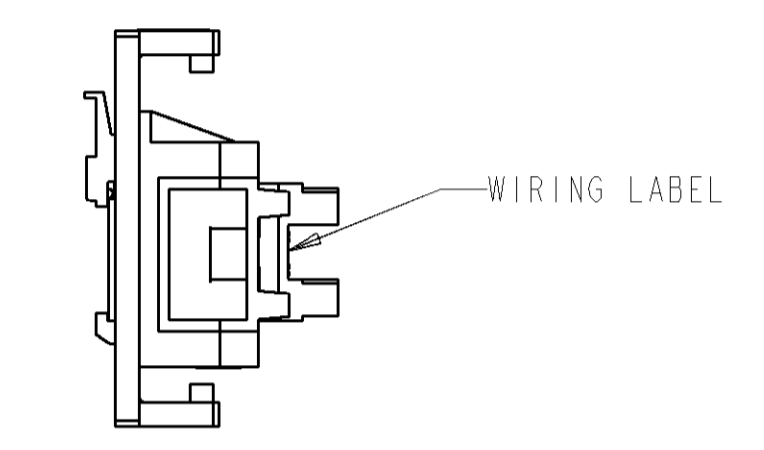
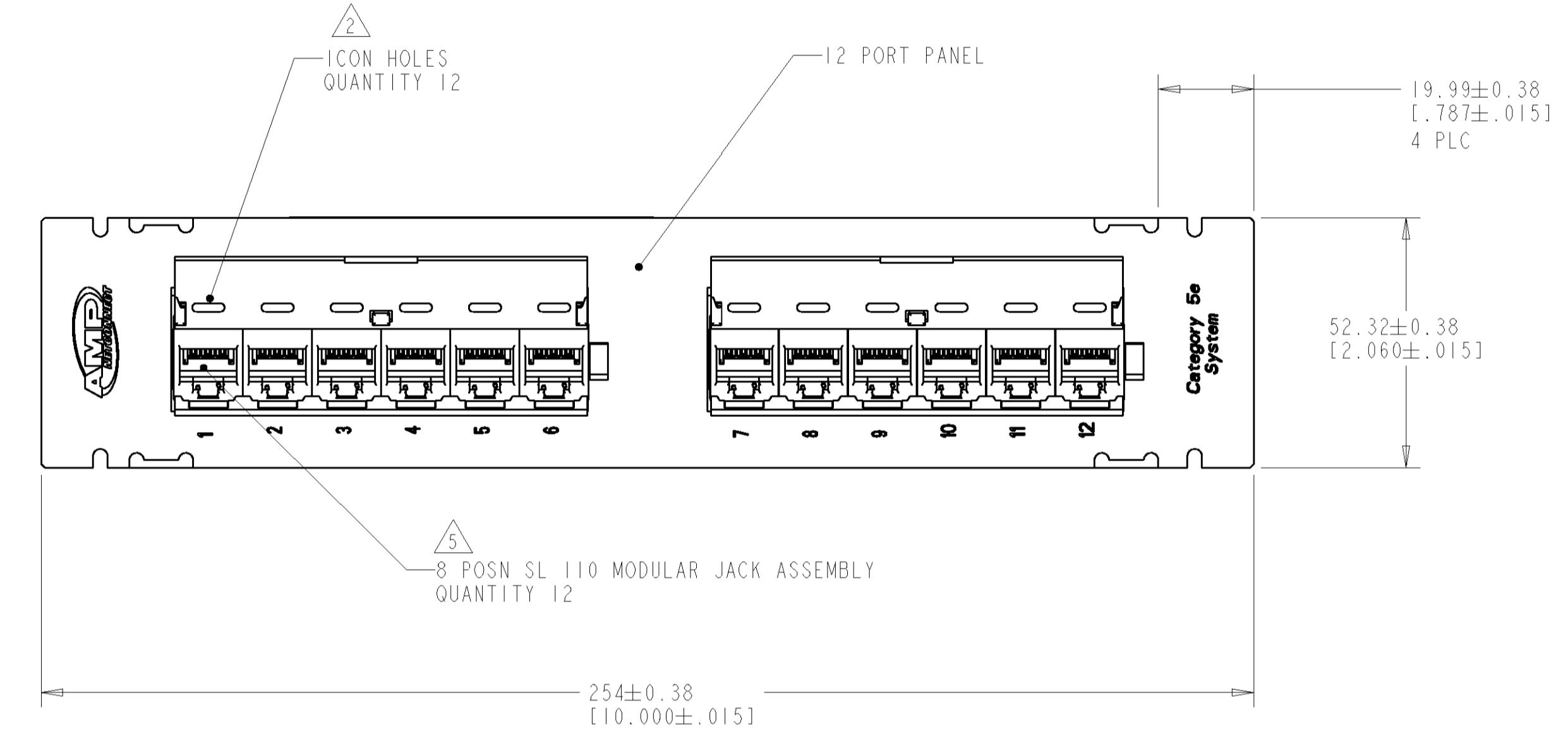


LOC	DIST	REVISIONS			
P	LTR	DESCRIPTION	DATE	DWN	APVD
D	ECO-06-025594		30JAN2007	JM	SH



- △ MATERIAL:
 CONNECTOR HOUSING, INTERFACE: POLYESTER MOLDING COMPOUND, BLACK.
 MOUNTING BRACKET: POLYCARBONATE, WHITE.
 PANEL: BLACK POWDER COAT ALUMINUM WITH WHITE MARKINGS.
- △ ICONS MAY BE PURCHASED SEPARATELY.
- 3. TWO WIRE TIES AND ONE MOUNTING BRACKET FOR INSTALLATION OF 12 PORT PANEL ASSEMBLY ARE SHIPPED LOOSE. WIRE TIES NOT SHOWN ON DRAWING.
- 4. ONE SHEET OF BEZEL LABELS AND ONE SHEET OF CLEAR COVERS SHIPPED LOOSE. BEZEL LABELS AND COVERS NOT SHOWN ON DRAWING.
- △ JACKS SHOWN AS LOADED BUT SHIPPED LOOSE IN POLYBAG.



1479153-2
 PART NO

DIMENSIONS: [MM] [INCHES] TOLERANCES UNLESS OTHERWISE SPECIFIED: 0 PLC ± 1 PLC ± 2 PLC ± 3 PLC ± 4 PLC ± ANGLES ± FINISH ±		DWN L. SMITH 30NOV2001 ENR S. HERNDON 03DEC2001 APVD S. HERNDON 03DEC2001 PRODUCT SPEC APPLICATION SPEC WEIGHT CUSTOMER DRAWING	NAME BRACKET, MOUNTING SIZE CAGE CODE DRAWING NO A1 00779 C-1479153 SCALE 1:1 SHEET 1 OF 1 REV D	tyco Tyco Electronics Harrisburg, PA 17105-3608
--	--	---	--	--