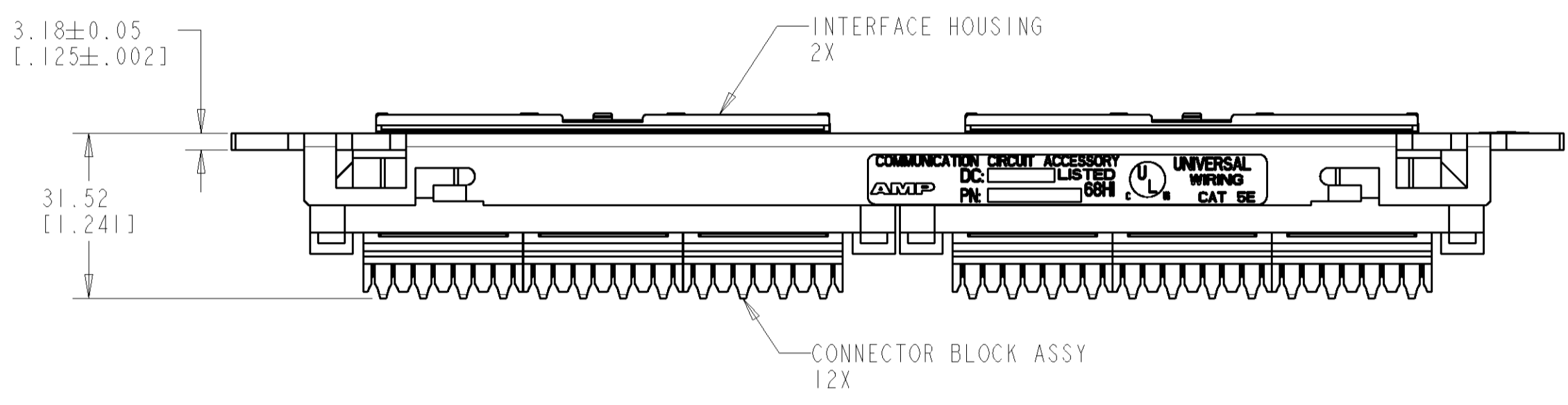
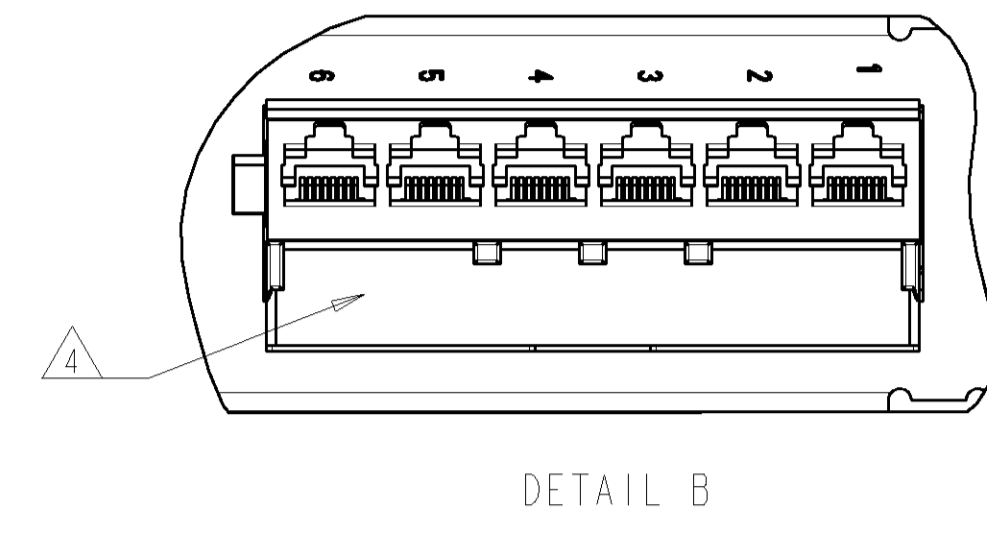
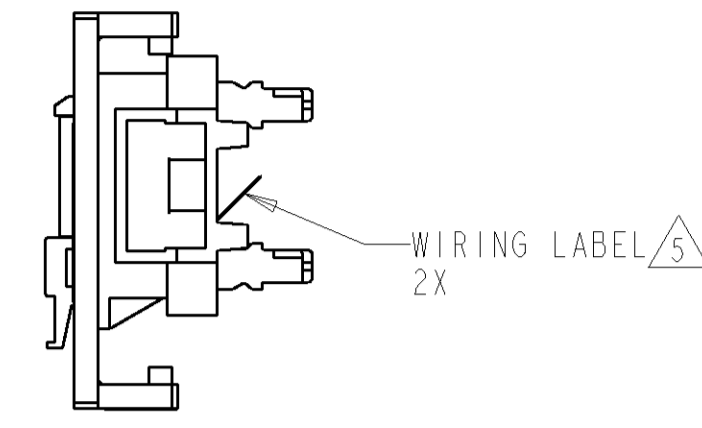
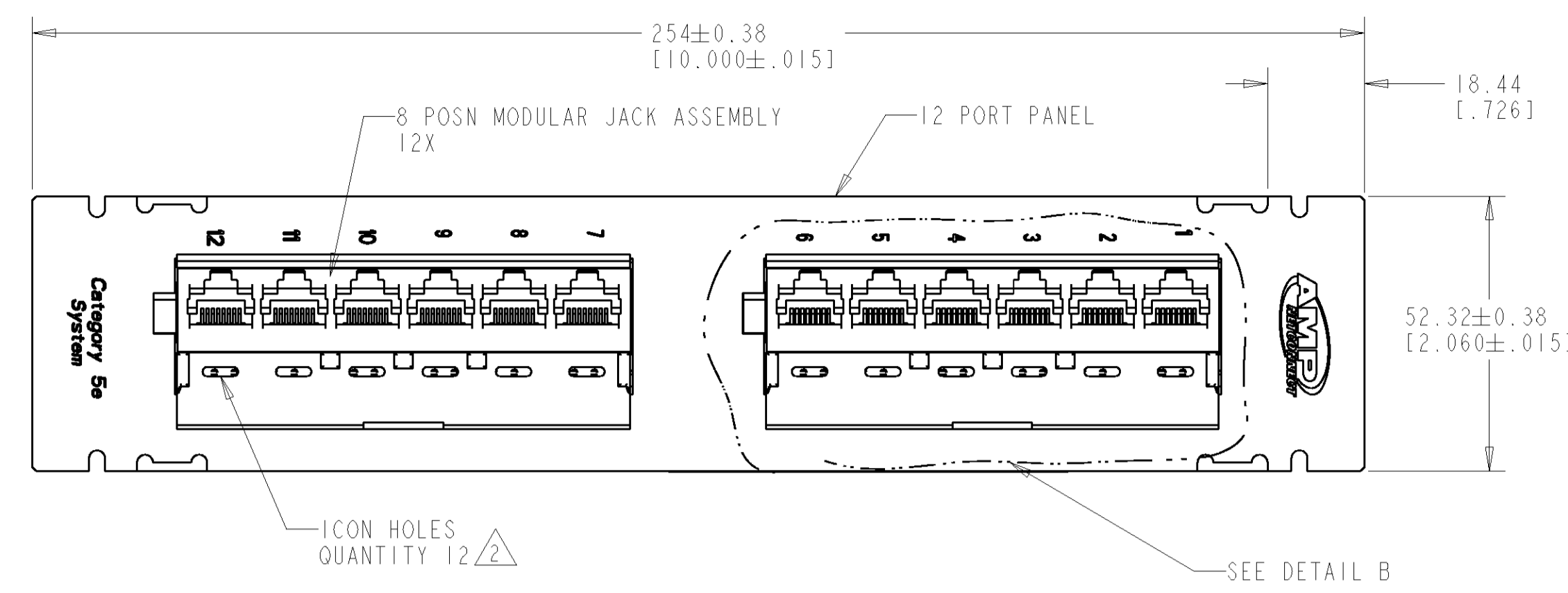
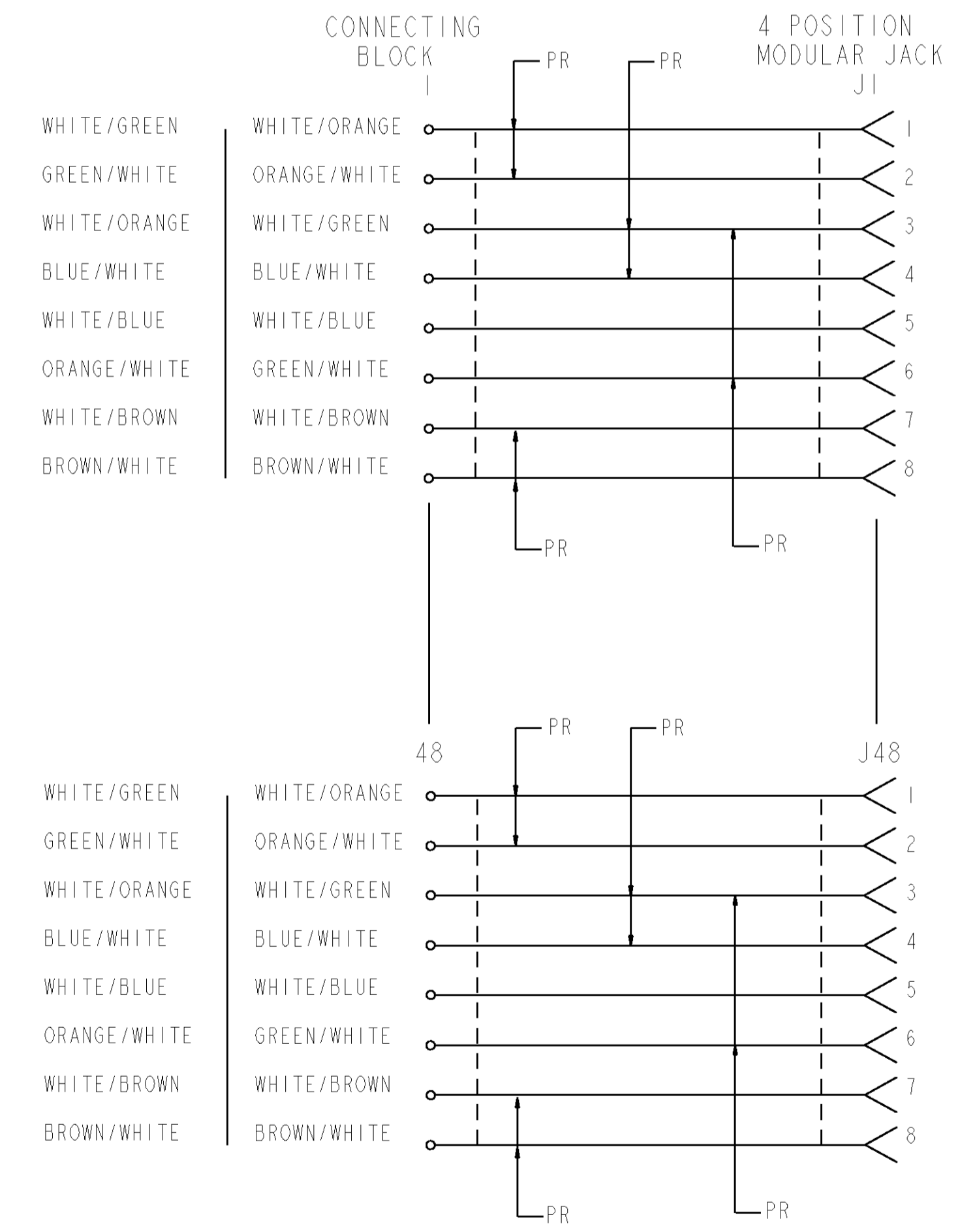
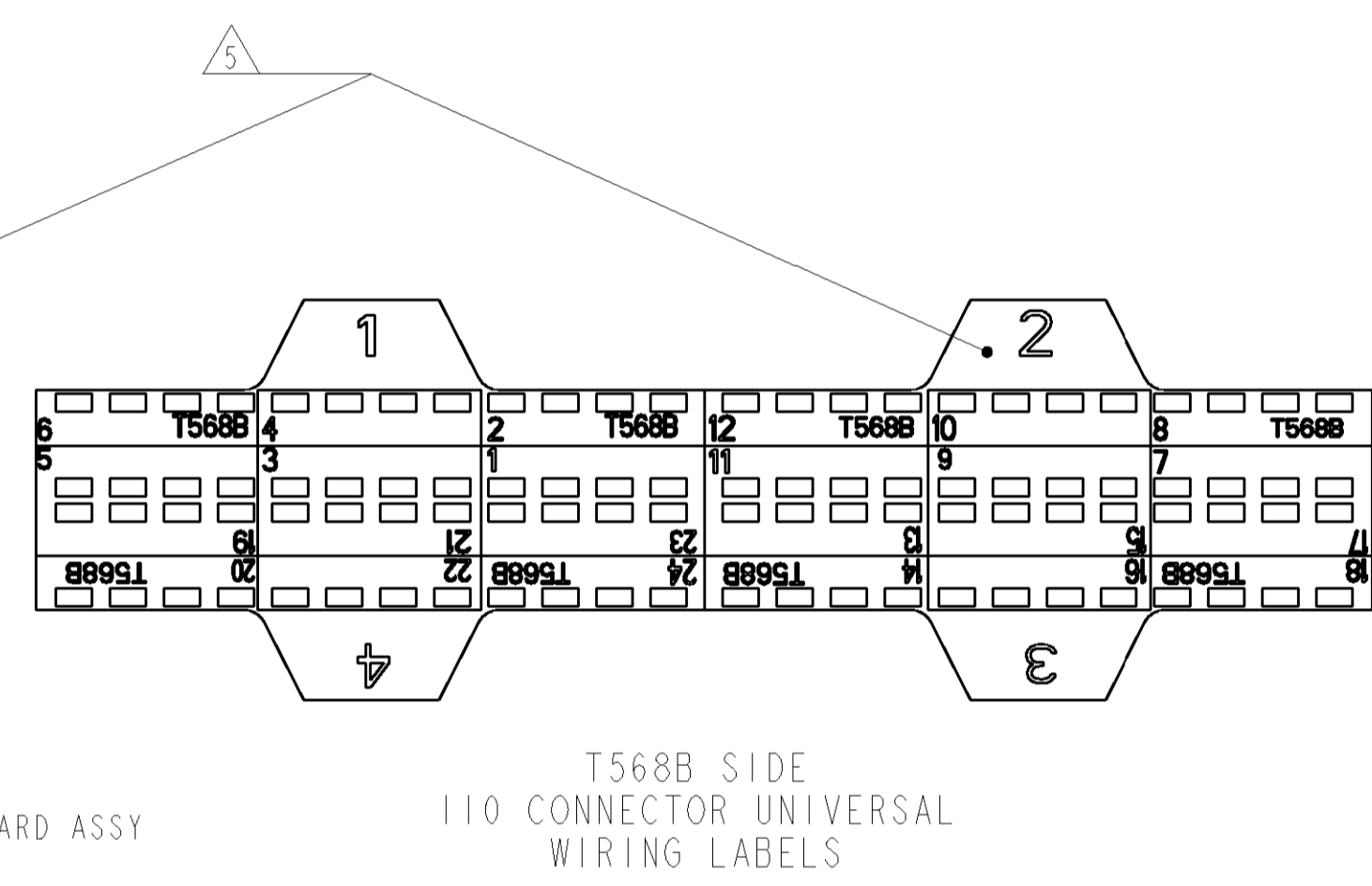
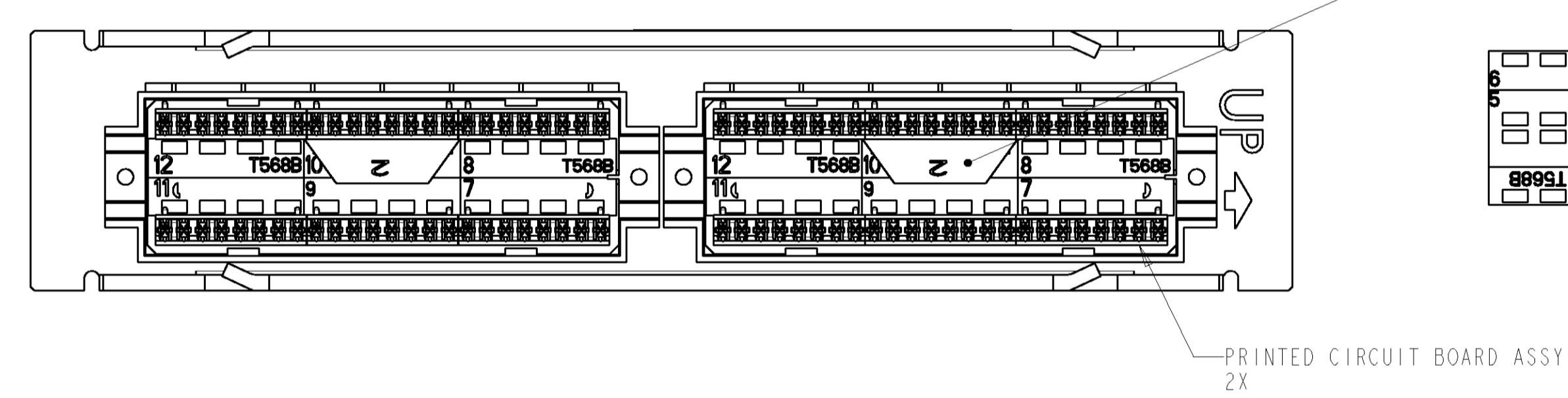


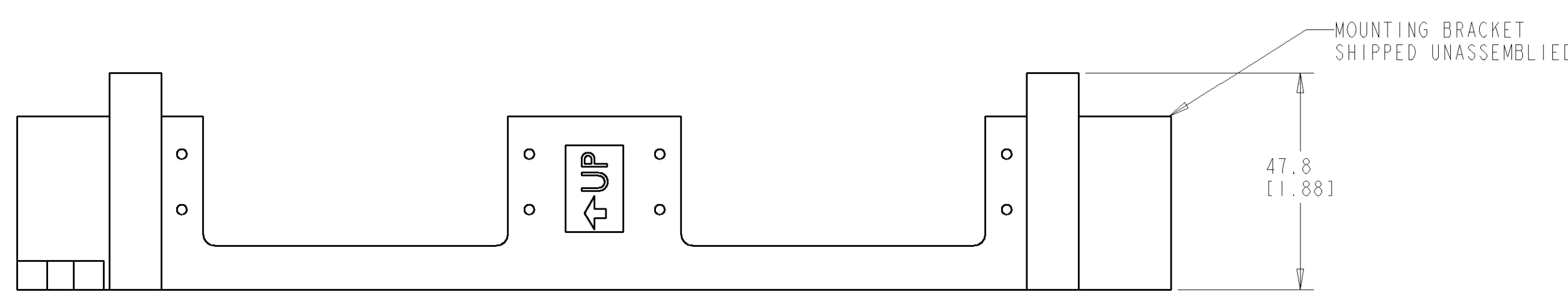
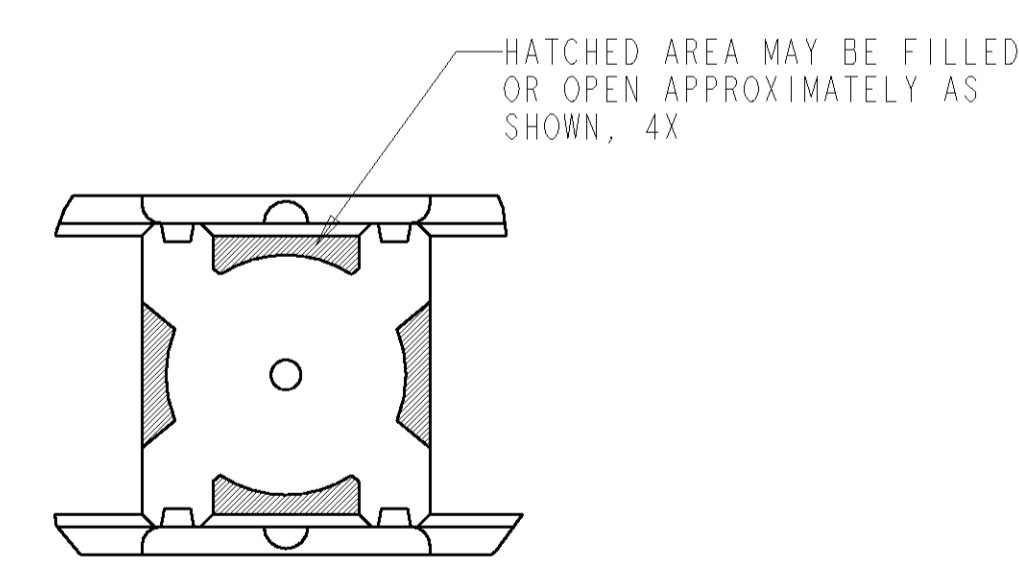
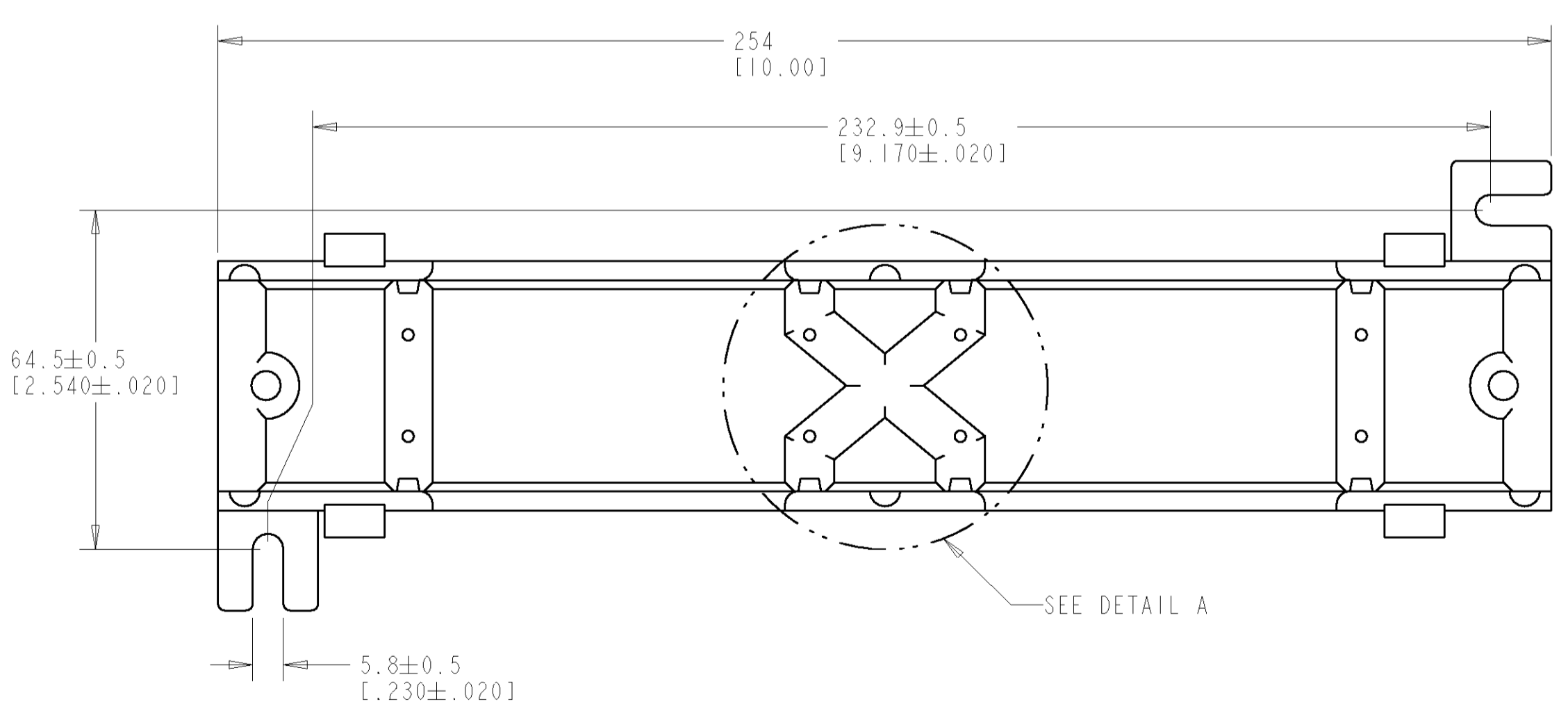
LOC		REV		REVISIONS			
HM	00	P	LTR	DESCRIPTION	DATE	DWN	APVD
		G		ECR-05-003051	03AUG2005	JM	SH
		H		REV: ECO-05-014461	30NOV2005	GG	SH



- △ MATERIAL:
 CONNECTOR HOUSING, INTERFACE: POLYESTER MOLDING COMPOUND, BLACK.
 MOUNTING BRACKET: POLYCARBONATE, WHITE.
 PANEL: BLACK POWDER COAT ALUMINUM WITH WHITE MARKINGS.
 PC BOARD: COPPER CLAD LAMINATED SUBSTRATE
- △ ICONS MAY BE PURCHASED SEPARATELY.
- 3. THREE WIRE TIES AND ONE MOUNTING BRACKET FOR INSTALLATION OF 12 PORT PANEL ASSEMBLY ARE SHIPPED LOOSE. WIRE TIES NOT SHOWN ON DRAWING.
- △ ONE SHEET OF BEZEL LABELS AND ONE SHEET OF CLEAR COVERS SHIPPED LOOSE. ONE LABEL SHOWN INSTALLED AT LOCATION INDICATED.
- △ ONE SHEET OF FOUR PER SHEET 110 CONNECTOR UNIVERSAL WIRING LABELS ARE SHIPPED LOOSE. ONE SIDE IS FOR T568A WIRING AND THE OPPOSITE SIDE FOR T568B WIRING. ONE LABEL SHOWN INSTALLED AT LOCATION INDICATED.



ELECTRICAL SCHEMATIC
 T568A OR T568B



DIMENSIONS: MM [INCHES]		TOLERANCES UNLESS OTHERWISE SPECIFIED:		DWN: T. PITTS 04APR01		AMP Incorporated	
0 PLC	±	0 PLC	±	CHK: L. SMITH 04APR01	Harrisburg, PA 17105-3608		
1 PLC	±	1 PLC	±	APVD: S. HERNDON 04APR01	NAME: PATCH PANEL KIT, 12P, UNIV WIRING RJ45, CAT 5E		
2 PLC	±	2 PLC	±	PRODUCT SPEC	SIZE	CAGE CODE	DRAWING NO
3 PLC	±	3 PLC	±	APPLICATION SPEC	A1	00779	C=406390
4 PLC	±	4 PLC	±	WEIGHT	SCALE	1:1	SHEET 1 OF 1
ANGLES	±	FINISH	±	CUSTOMER DRAWING	REV	H	