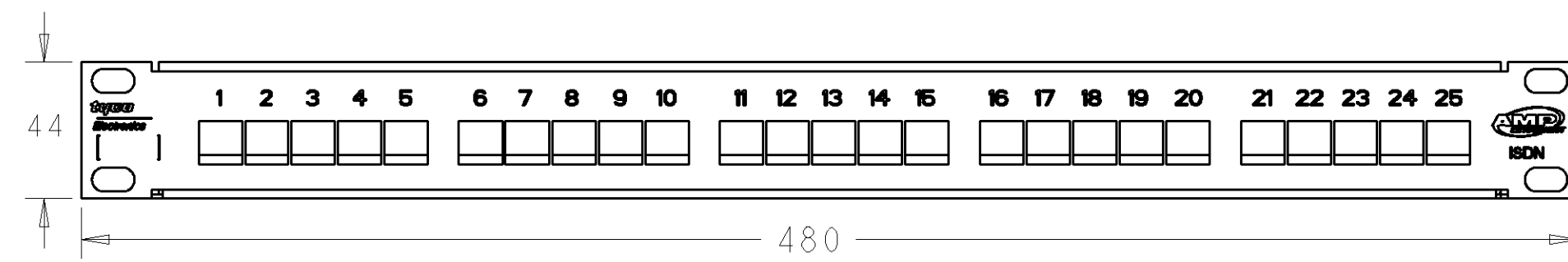
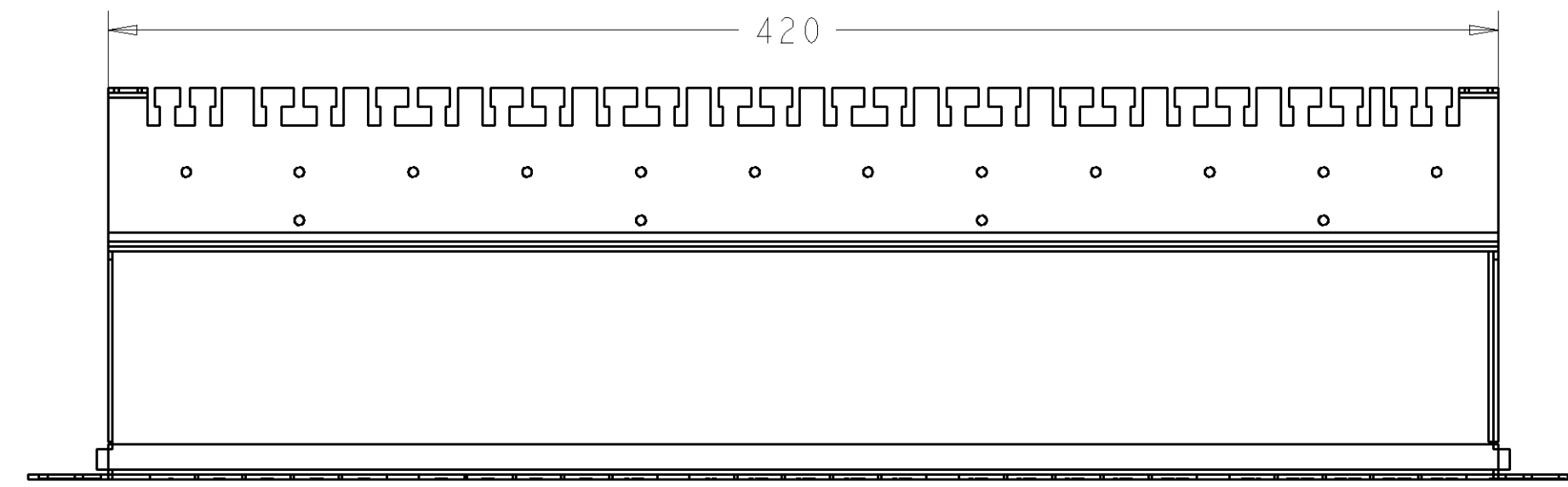
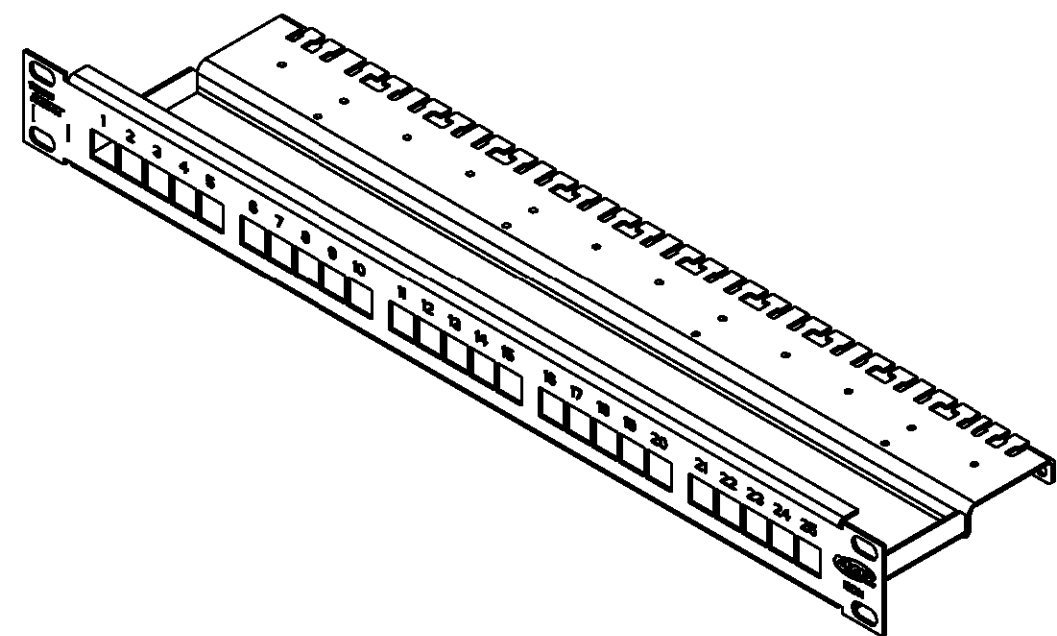
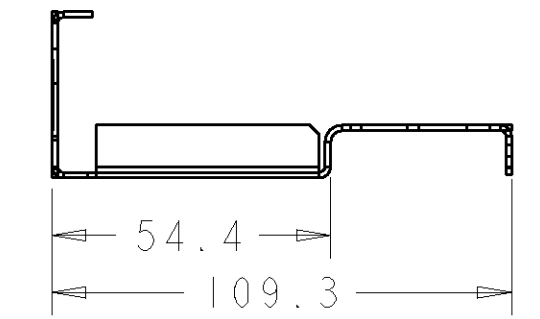


THIS DRAWING IS UNPUBLISHED. RELEASED FOR PUBLICATION 20  
 © COPYRIGHT 20 BY TYCO ELECTRONICS CORPORATION. ALL RIGHTS RESERVED.

LOC	DIST	REVISIONS					
		P	LTR	DESCRIPTION	DATE	DWN	APVD
1K	2		A	NEW DRAWING	08-Jul-04	RM	JS
			A1	DRAWING REVISION	10-Jul-04	RM	JS
			A2	ESE0-0219-04	10-Dic-04	RM	JS
			A3	ESE0-0071-05	31-Mar-05	RM	JS



SCALE 1:2



- \* IDC Allowance: 26 - 23 AWG (0.4-0.6 mm Dia)
- \* Material:
  - Housing: SPCC
  - RJ45 Contact: phospher bronze
  - RJ45 Contact Plating: gold plating over nickel
  - RJ45 Housing: self-extinguishing plastic
  - IDC Housing: self-extinguishing plastic
  - IDC Contact: tin plated phospher bronze
  - PCB: FR4

RAL 5017 BLUE	RAL 7035 GREY	1711213-3
RAL 9003 WHITE	RAL 9005 BLACK	1711213-2
RAL 5017 BLUE	RAL 7032 GREY OLD	1711213-1
TEXT AND LOGO COLOR	COLOR	PART NUMBER

<small>THIS DRAWING IS A CONTROLLED DOCUMENT FOR TYCO ELECTRONICS CORPORATION          IT IS SUBJECT TO CHANGE AND THE CONTROLLING ENGINEERING ORGANIZATION          SHOULD BE CONTACTED FOR THE LATEST REVISION.</small>		DWN R. MATEO 08-Jul-04 CHK A. CARRERAS 08-Jul-04 APVD J. SANABRA 30-Jul-04	<b>tyco</b> <b>Electronics</b> Tyco Electronics AMP España S.A. Barcelona, Spain
DIMENSIONS: mm 	TOLERANCES UNLESS OTHERWISE SPECIFIED: 0 PLC ± 1 PLC ± 2 PLC ± 3 PLC ± 4 PLC ± ANGLES ± FINISH	PRODUCT SPEC - APPLICATION SPEC - WEIGHT -	NAME PHONE PATCH PANEL 25 PORT. SIZE A2 CAGE CODE 00779 DRAWING NO. 1711213 RESTRICTED TO - SCALE 1:3 SHEET 1 OF 1 REV A3
MATERIAL -		CUSTOMER DRAWING	