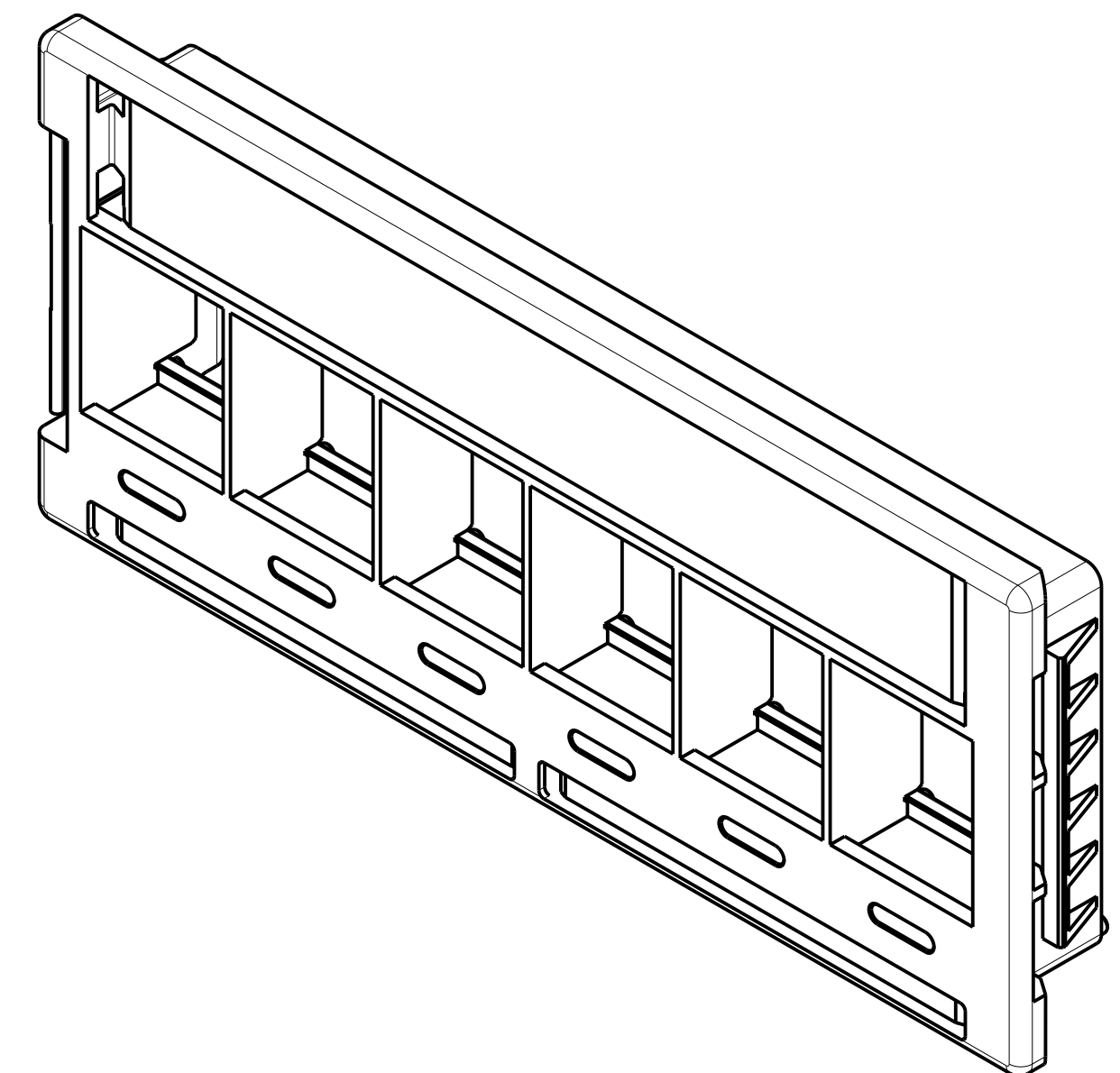
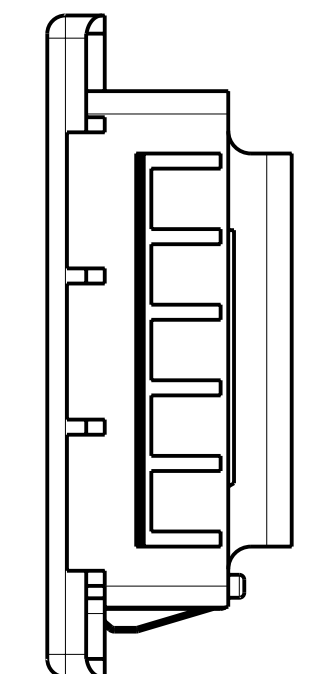
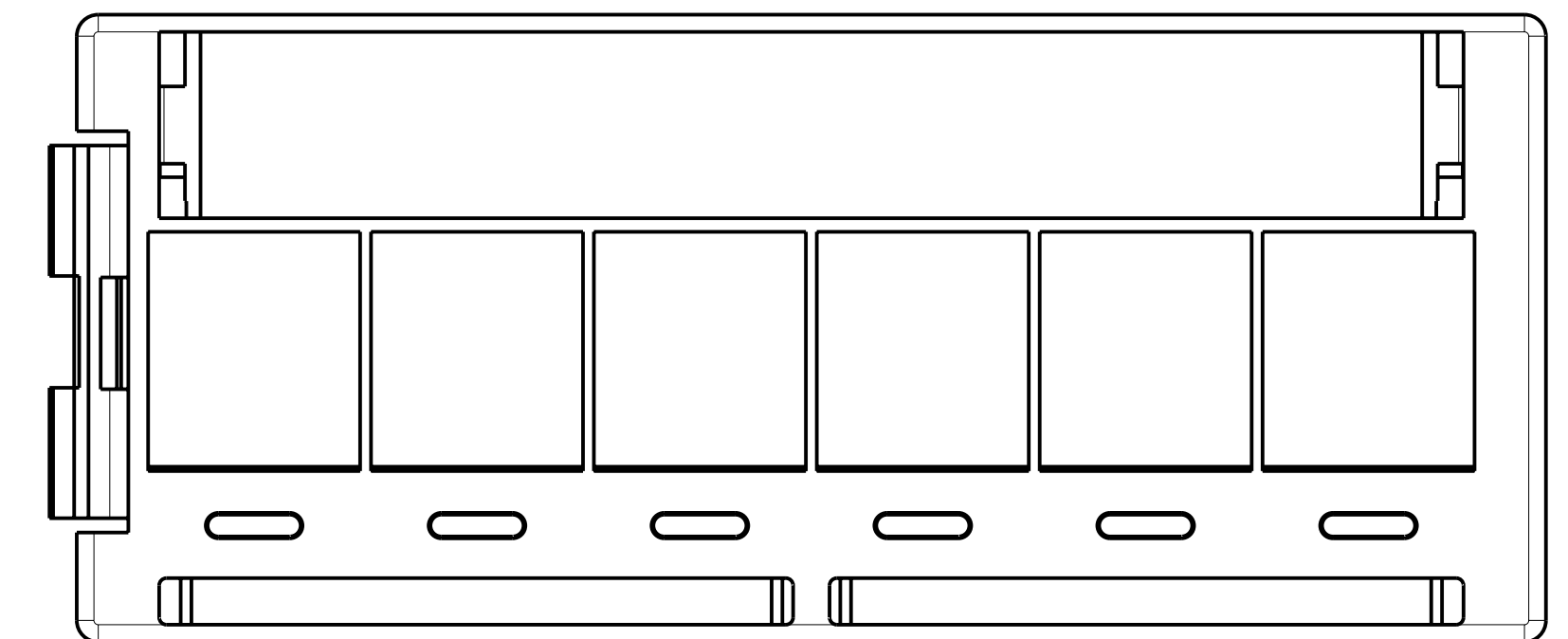


THIS DRAWING IS UNPUBLISHED. RELEASED FOR PUBLICATION 20
© COPYRIGHT 20 BY TYCO ELECTRONICS CORPORATION. ALL RIGHTS RESERVED.

LOC	DIST	REVISIONS					
		F.	LTR	DESCRIPTION	DATE	DWN	APVD
HM	00	A		ECO-09-013112	03JUNE2009	JB	SH
		B		REV; ECO-09-014199	16JUNE2009	JB	SH



1. PACKAGE INCLUDES 1 INTERFACE HOUSING, 1 ID LABEL SHEET, 1 PAPER LABEL SHEET, AND 1 CLEAR LABEL COVER IN POLYBAG.
2. ITEMS 2, 3, 4 NOT SHOWN ON DRAWING.



QTY	DESCRIPTION	ITEM NO.
1	ID PORT LABELS	4
1	PAPER LABEL SHEETS	3
1	CLEAR LABEL COVERS	2
1	INTERFACE HOUSING, STP	1
- 1		

<small>THIS DRAWING IS UNPUBLISHED. RELEASED FOR PUBLICATION 20 © COPYRIGHT 20 BY TYCO ELECTRONICS CORPORATION. ALL RIGHTS RESERVED.</small>		DWN J. BURWELL 03JUNE2009 CHK S. HERNDON 03JUNE2009 APVD S. HERNDON 03JUN2009	tyco Electronics Tyco Electronics Harrisburg, PA 17105-3608
DIMENSIONS: MM 	TOLERANCES UNLESS OTHERWISE SPECIFIED: 0 PLC ± 1 PLC ± 2 PLC ± 3 PLC ± 4 PLC ± ANGLES ±	PRODUCT SPEC APPLICATION SPEC WEIGHT CUSTOMER DRAWING	NAME INTERFACE HOUSING RESIDENTIAL KIT, STP SIZE CAGE CODE DRAWING NO A 100779 C=2111093 RESTRICTED TO REV B
MATERIAL	FINISH	SCALE 2:1	SHEET 1 OF 1