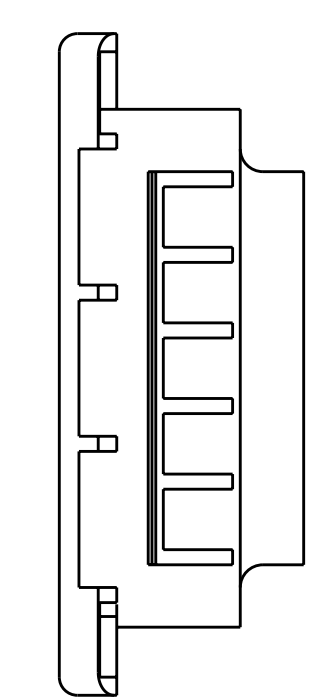
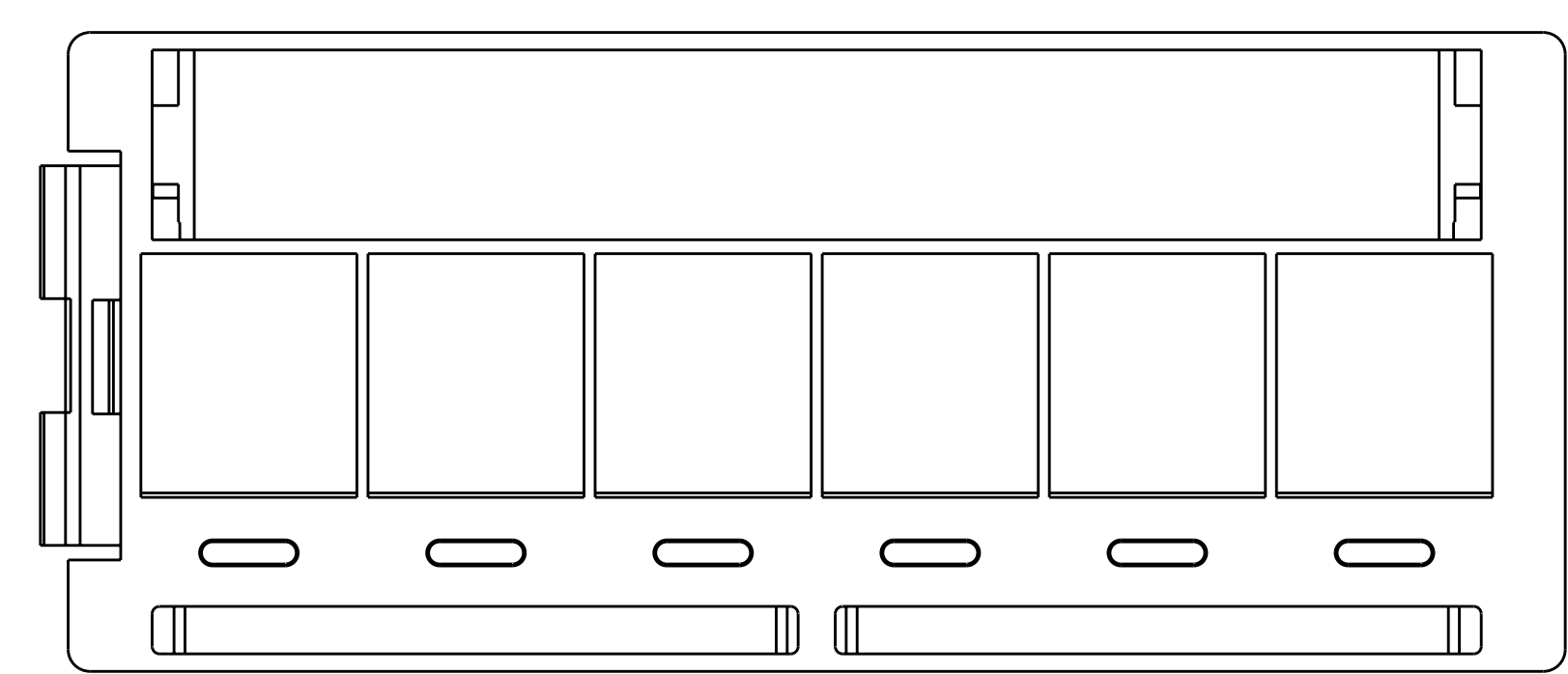
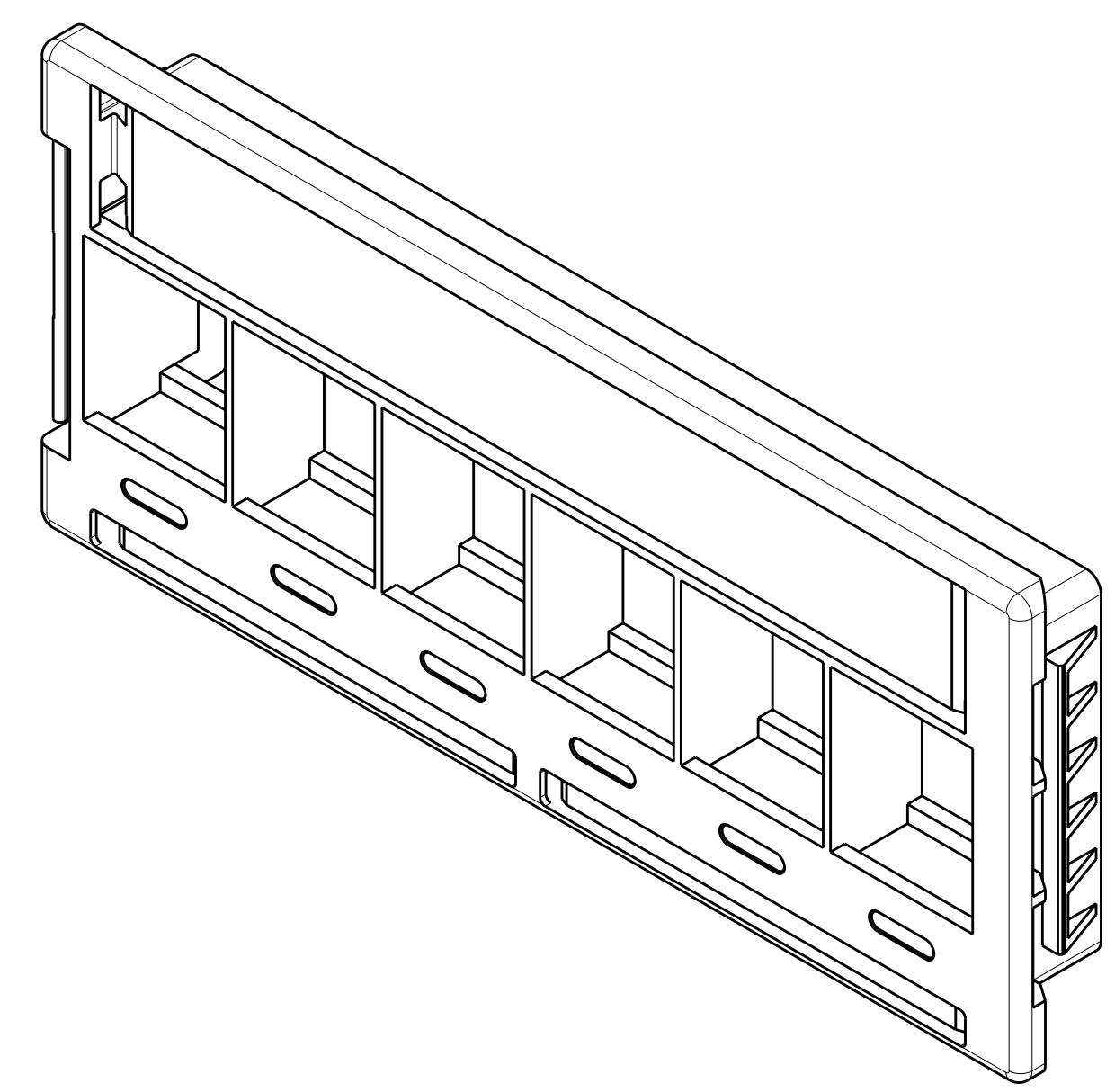


THIS DRAWING IS UNPUBLISHED. RELEASED FOR PUBLICATION 20  
 © COPYRIGHT 20 BY TYCO ELECTRONICS CORPORATION. ALL RIGHTS RESERVED.

| LOC |     | DIST               |           | REVISIONS |      |    |    |
|-----|-----|--------------------|-----------|-----------|------|----|----|
| REV | LTG | DESCRIPTION        | DATE      | DWN       | APVD | LH | SH |
| A   |     | RLSD ECO-09-017224 | 27JUL2009 |           |      |    |    |
|     |     |                    |           |           |      |    |    |
|     |     |                    |           |           |      |    |    |

1. PACKAGE INCLUDES 1 INTERFACE HOUSING, 1 ID LABEL SHEET, 1 PAPER LABEL SHEET, AND 1 CLEAR LABEL COVER IN POLYBAG.
2. ITEMS 2, 3, 4 NOT SHOWN ON DRAWING.



| QTY | DESCRIPTION            | ITEM NO. |
|-----|------------------------|----------|
| 1   | ID PORT LABELS         | 4        |
| 1   | PAPER LABEL SHEETS     | 3        |
| 1   | CLEAR LABEL COVERS     | 2        |
| 1   | INTERFACE HOUSING, UTP | 1        |
| - 1 | DESCRIPTION            | ITEM NO. |

|  |  |   |  |
|--|--|---|--|
| <small>THIS DRAWING IS UNPUBLISHED. RELEASED FOR PUBLICATION 20. THIS IS SUBJECT TO CHANGE WITHOUT NOTICE AND WITHOUT OBLIGATION. SHOULD BE CONTACTED FOR THE LATEST REVISION.</small> |  | DWN<br><b>L. HALL</b> 24JUL2009<br>CHK<br><b>S. HERNDON</b> 27JUL2009<br>APVD<br><b>S. HERNDON</b> 27JUL2009                | Tyco Electronics<br>Harrisburg, PA 17105-3608  |
| DIMENSIONS:<br>MM<br>  |  | TOLERANCES UNLESS OTHERWISE SPECIFIED:<br>0 PLC ±.<br>1 PLC ±.<br>2 PLC ±.<br>3 PLC ±.<br>4 PLC ±.<br>ANGLES ±.<br>FINISH - | NAME<br><b>INTERFACE HOUSING RESIDENTIAL KIT, UTP</b><br>SIZE CAGE CODE DRAWING NO. RESTRICTED TO<br><b>A100779C-2111117</b> |
| MATERIAL -<br>FINISH -   |  | WEIGHT -<br>CUSTOMER DRAWING  | SCALE 2:1 SHEET 1 OF 1 REV A   |