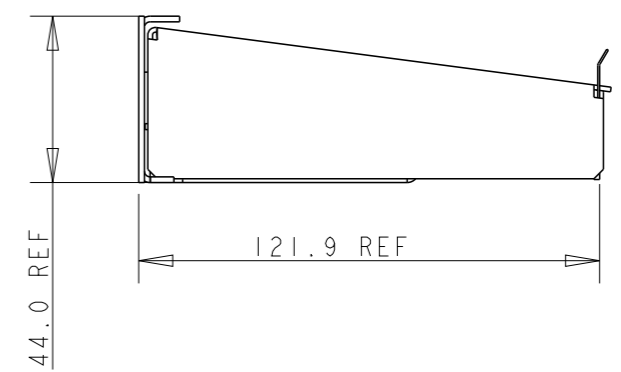
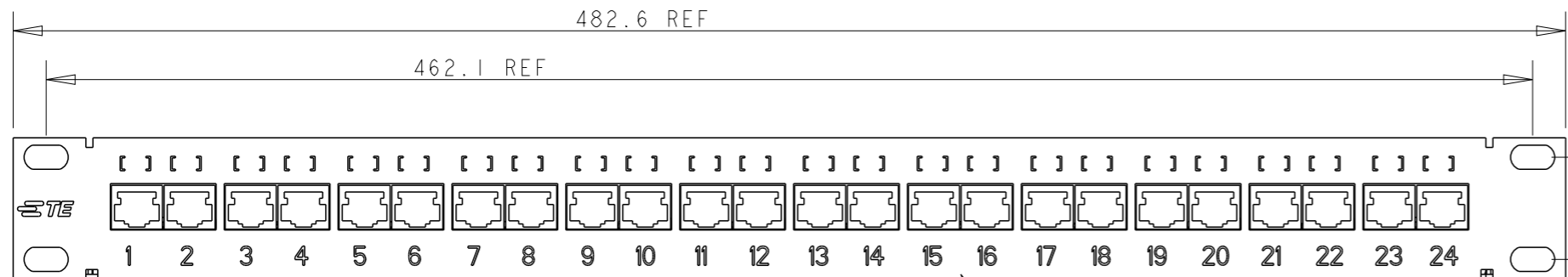
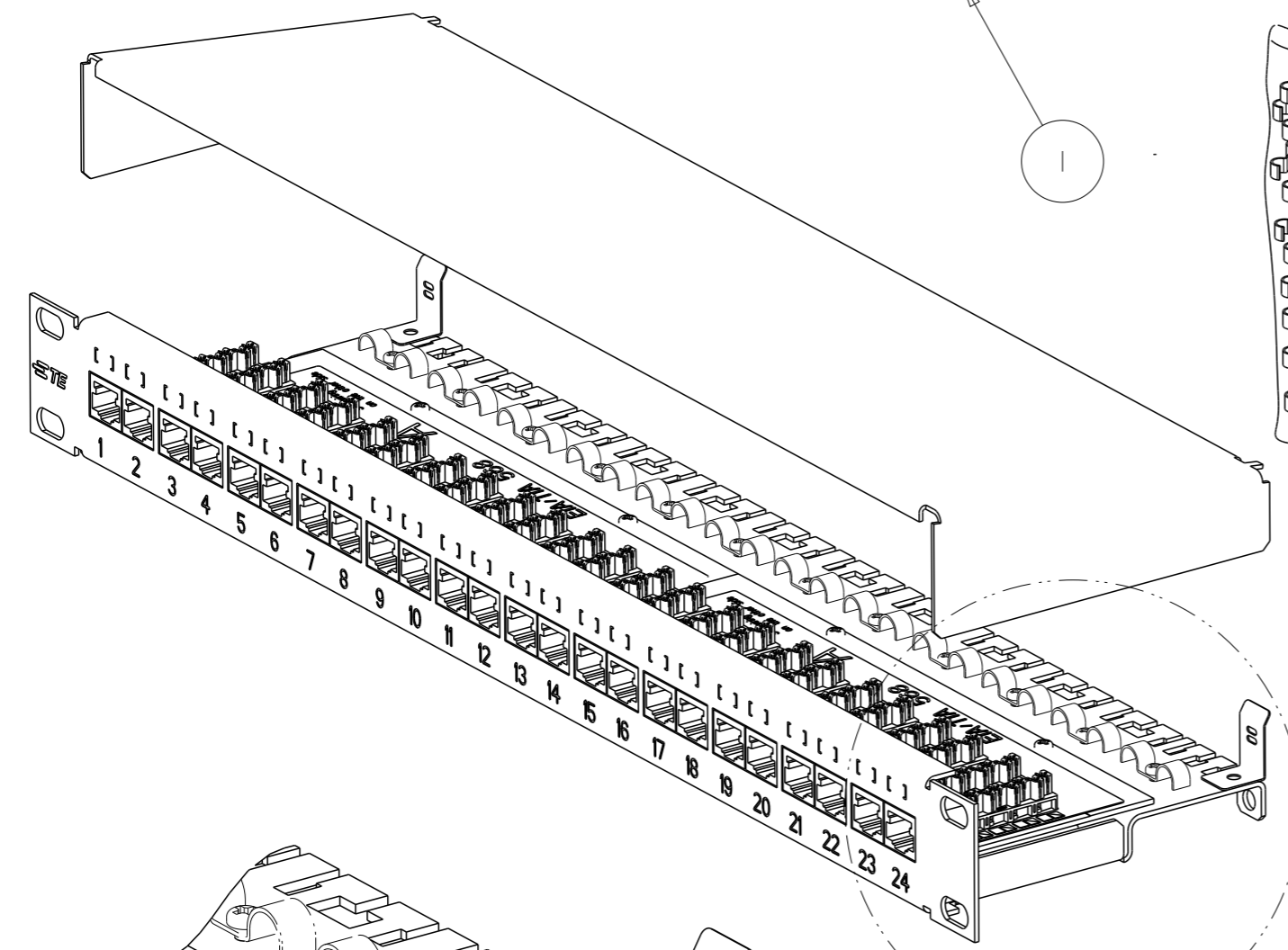


LOC 1K DIST 2

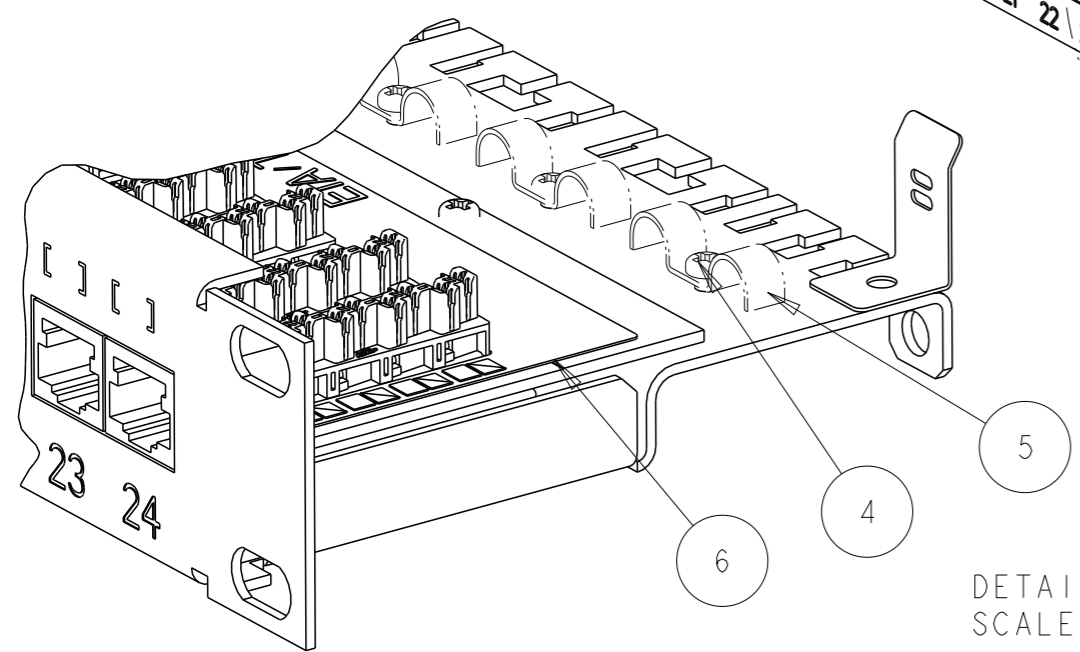
| REVISIONS | | | | | |
|-----------|-----|---------------|-----------|-----|------|
| P | LTR | DESCRIPTION | DATE | DWN | APVD |
| | F | ECR-12-018162 | 22OCT2012 | RM | JS |
| | | | | | |
| | | | | | |



1. PACKAGING:
 ONE BOX WITH ONE PANEL:
 PANEL PRE-ASSEMBLED INTO POLYBAG INCLUDING
 SCREW-SET AND APPLICATION SPEC.




| | | | | | |
|-------|----|----|-------------------------|----------------|------|
| 2 | | | COLOR CODE GUIDE LABEL | - | 6 |
| 12+12 | | | CABLE CLAMP | - | 5 |
| 12 | | | SCREW M3x12 | - | 4 |
| 24 | | | CABLE TIE | - | 3 |
| 1 | | | GROUND CLAMP KIT | - | 2 |
| 1 | - | - | PATCH PANEL METAL FRAME | GREY RAL 7035 | 1 |
| - | 1 | - | | BLACK RAL 9005 | |
| - | - | 1 | | GREY RAL 7032 | |
| -3 | -2 | -1 | DESCRIPTION | NOTES | ITEM |



DETAIL A SCALE 1:1

THIS DRAWING IS A CONTROLLED DOCUMENT.

| DIMENSIONS: | TOLERANCES UNLESS OTHERWISE SPECIFIED: |
|-------------|--|
| mm | 0 PLC ±- |
| | 1 PLC ±- |
| | 2 PLC ±- |
| | 3 PLC ±- |
| | 4 PLC ±- |
| | ANGLES ±- |
| MATERIAL | FINISH |

| | | | |
|----------------------------|--|---|----------------------|
| DWN J. GATNAU 09-Dec-01 |  TE Connectivity | NAME PATCH PANEL, CAT 5E 24 PORTS SHIELDED | RESTRICTED TO |
| CHK A. PUELL 09-Dec-01 | | | |
| APVD J. SANABRA 05-Feb-02 | | | |
| PRODUCT SPEC 108-22138 | | | |
| APPLICATION SPEC 114-22018 | SIZE A3 | CAGE CODE - | DRAWING NO. C-336671 |
| WEIGHT - | SCALE 1:2 | SHEET 1 OF 1 | REV F |