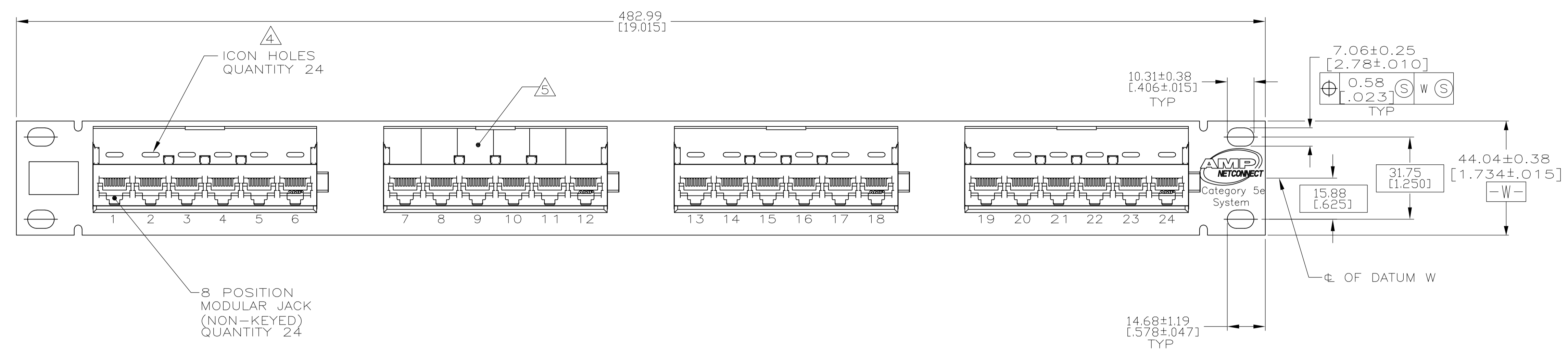
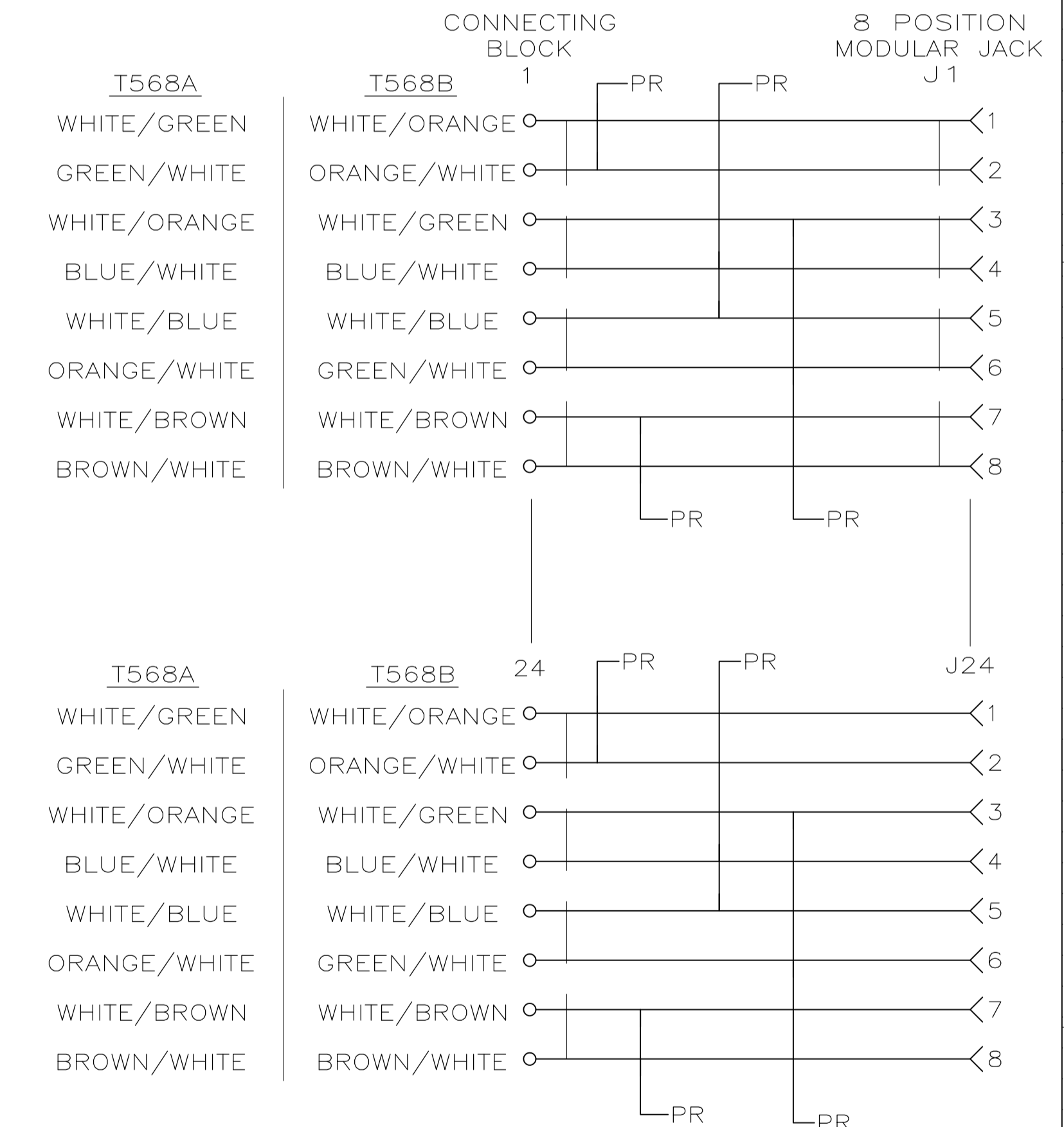
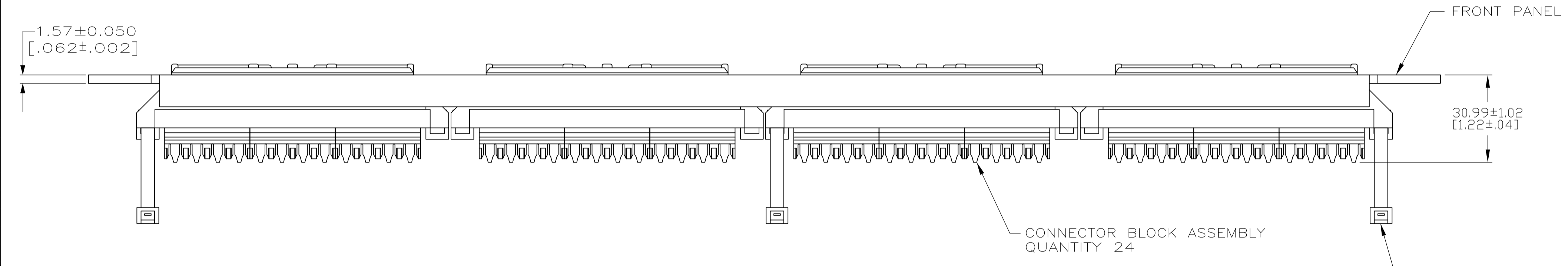


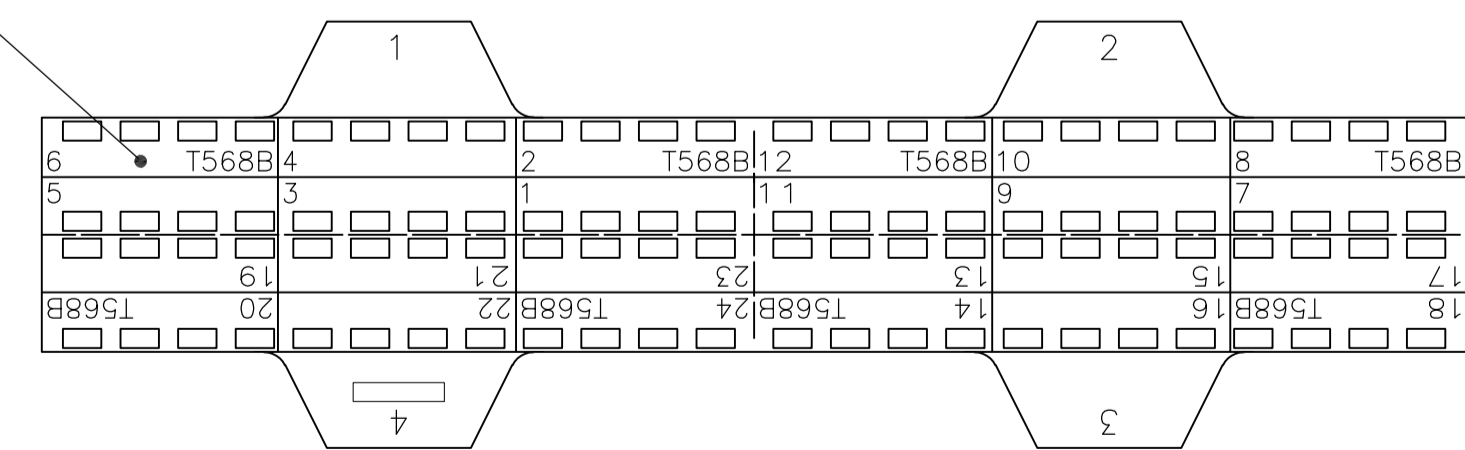
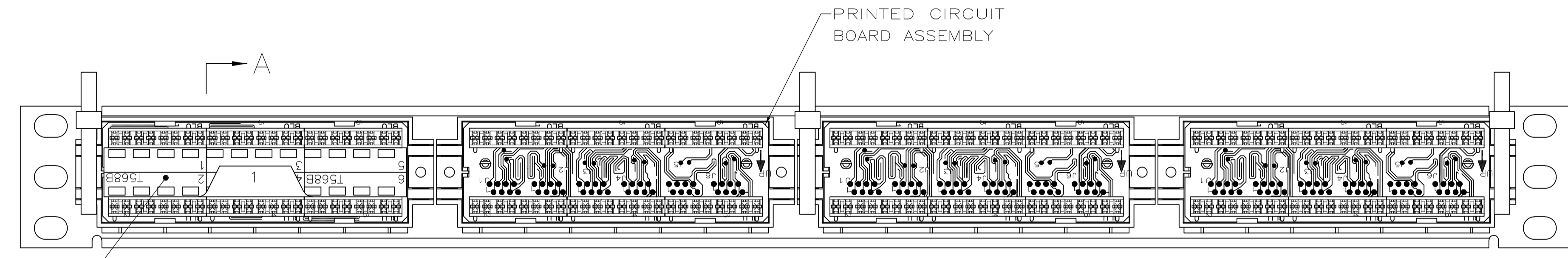
LOC	DIST	REVISIONS				
		REV	DESCRIPTION	DATE	OWN	APVD
HM	00	E2	REVISED PER ECO-15-007331	12MAY2015	GG	SH



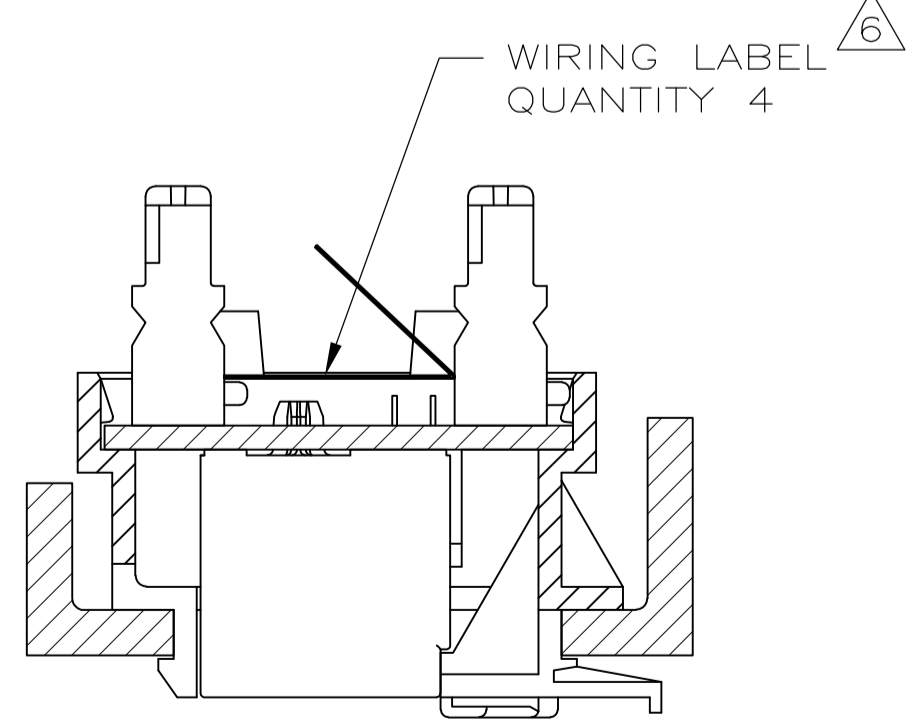
- 1 MATERIAL: PANEL - BLACK POWDER COAT STEEL WITH WHITE MARKINGS.  
PRINTED CIRCUIT BOARD - LAMINATED PLASTIC SUBSTRATE, 1.57[.062] THICK.
- 2. MOUNTING HARDWARE INCLUDED EACH ASSEMBLY:  
FOUR, 12-24X50 TRILOBULAR SCREWS W/CAPTIVE STARWASHER.
- 3 THREE RELEASEABLE CABLE TIES, SHOWN ASSEMBLED, USED FOR CABLE ORGANIZATION/ROUTING ARE SHIPPED LOOSE.
- 4 ICONS MAY BE PURCHASED SEPARATELY.
- 5 ONE SHEET OF BEZEL LABELS AND ONE SHEET OF CLEAR LABEL COVERS ARE SHIPPED LOOSE. ONE LABEL SHOWN INSTALLED AT LOCATION INDICATED.
- 6 ONE SHEET OF FOUR 110 CONNECTOR UNIVERSAL WIRING LABELS ARE SHIPPED LOOSE. ONE SIDE IS FOR T568A WIRING AND THE OPPOSITE SIDE FOR T568B WIRING. ONE LABEL SHOWN INSTALLED AT LOCATION INDICATED.



ELECTRICAL SCHEMATIC  
T568A OR T568B



T568B SIDE  
110 CONNECTOR UNIVERSAL  
WIRING LABELS



SECTION A-A  
ROTATED 90° CCW  
SCALE 2:1

THIS DRAWING IS A CONTROLLED DOCUMENT.		DWN L. HALL 14AUG00	TE Connectivity
DIMENSIONS: mm [INCHES]		CHK S. HERNDON 14AUG00	
TOLERANCES UNLESS OTHERWISE SPECIFIED:		APVD S. HERNDON 14AUG00	NAME PANEL ASSEMBLY, 24 PORT, RJ45, UNIVERSAL WIRING, CATEGORY 5, ENHANCED
0 PLC ± 1 PLC ± 2 PLC ± 3 PLC ± 4 PLC ± ANGLES ±		APPLICATION SPEC	SIZE A1
MATERIAL	FINISH	WEIGHT	CAGE CODE 00779
CUSTOMER DRAWING		SCALE 1:1	DRAWING NO. 406330
		SHEET 1 OF 1	REV E2