

The 110Connect Blocks may be terminated with AMP* Impact Tool 569994-1, KRONE Universal Wire Insertion Tool, or 788J1-Type 5-Pair Tool. Remove loose wire pieces. If tool does not properly trim wires, replace tool blade. For Impact Tool 569994-1, use Replacement Blade 569995-1. Use of other cutting tools to trim wires may damage patch panel.

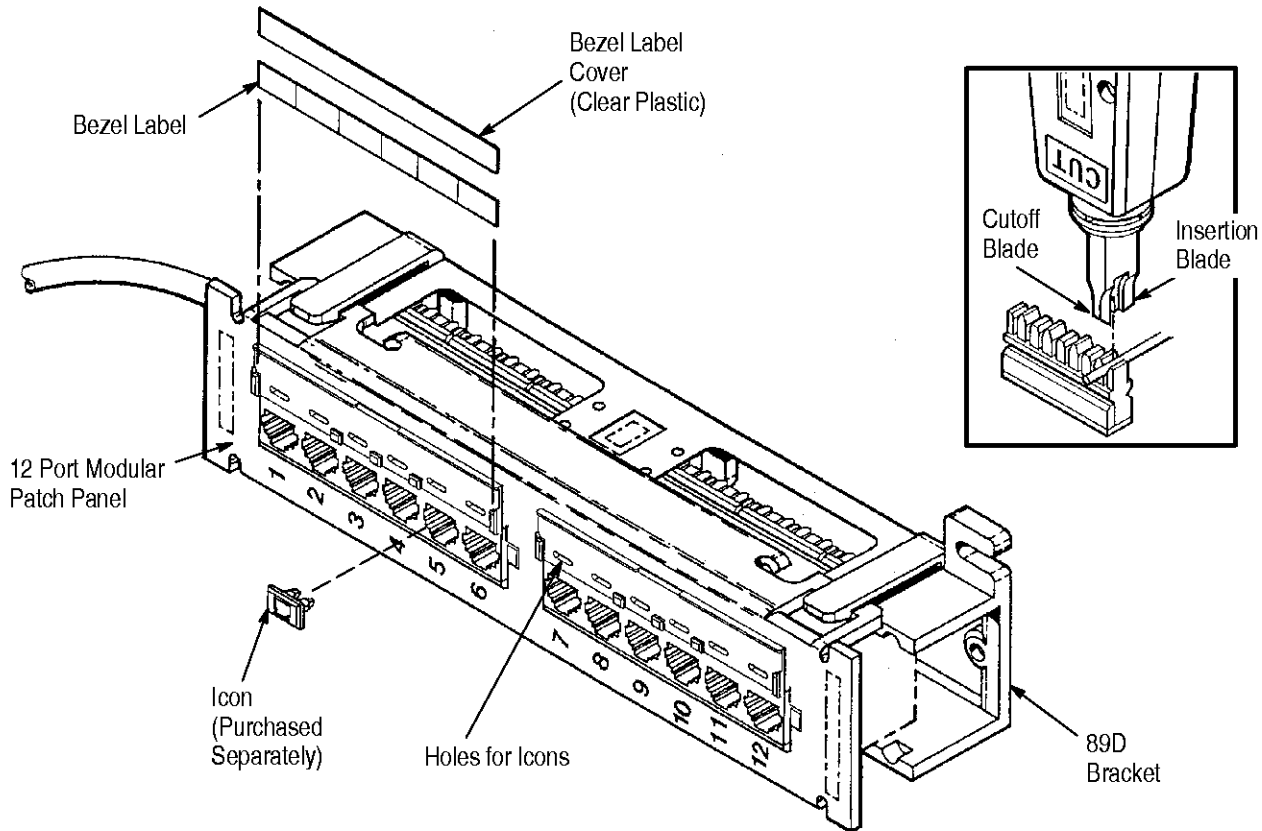


Figure 1

1. INTRODUCTION

This instruction sheet covers the installation procedures for AMP 110Connect Enhanced 12 Port Modular Universal Wiring Patch Panels. The panel (with bracket) may be mounted directly to a wall or a flat surface using hardware supplied by the installer.

NOTE

All dimensions are in millimeters [with inches in brackets]. Figures are for reference only and are not drawn to scale.

Reasons for reissue of this sheet are provided in Section 5, REVISION SUMMARY.

2. DESCRIPTION

Each panel includes an 89D bracket, universal T568A/T568B wiring labels, bezel labels, bezel label covers, and cable management cable ties. See Figures 1 and 2.

3. INSTALLATION PROCEDURES (Figure 2)

3.1. General Instructions

1. Place panel into 89D bracket with 110Connect blocks facing out for wire placement and punch-down procedures.
2. Install universal wiring labels with the T568A or T568B side facing up, to match the wiring pattern being used at the outlet. Match label port numbers to port numbers on front of panel. Ports 1 and 2 are located at the top end of the patch panel (where the "UP" and arrow markings are located).
3. Lace wires into 110Connect block. Punch wires down into slot and cut off excess wire.

3.2. Special Instructions for Category 5 Enhanced Applications

NOTE

At all times, the wiring practices must comply with Section 7, WIRING PRACTICE of ANSI/TIA/EIA-568-A Specification.

Guidelines covered in the above specification and shown in Figure 2 must be followed.

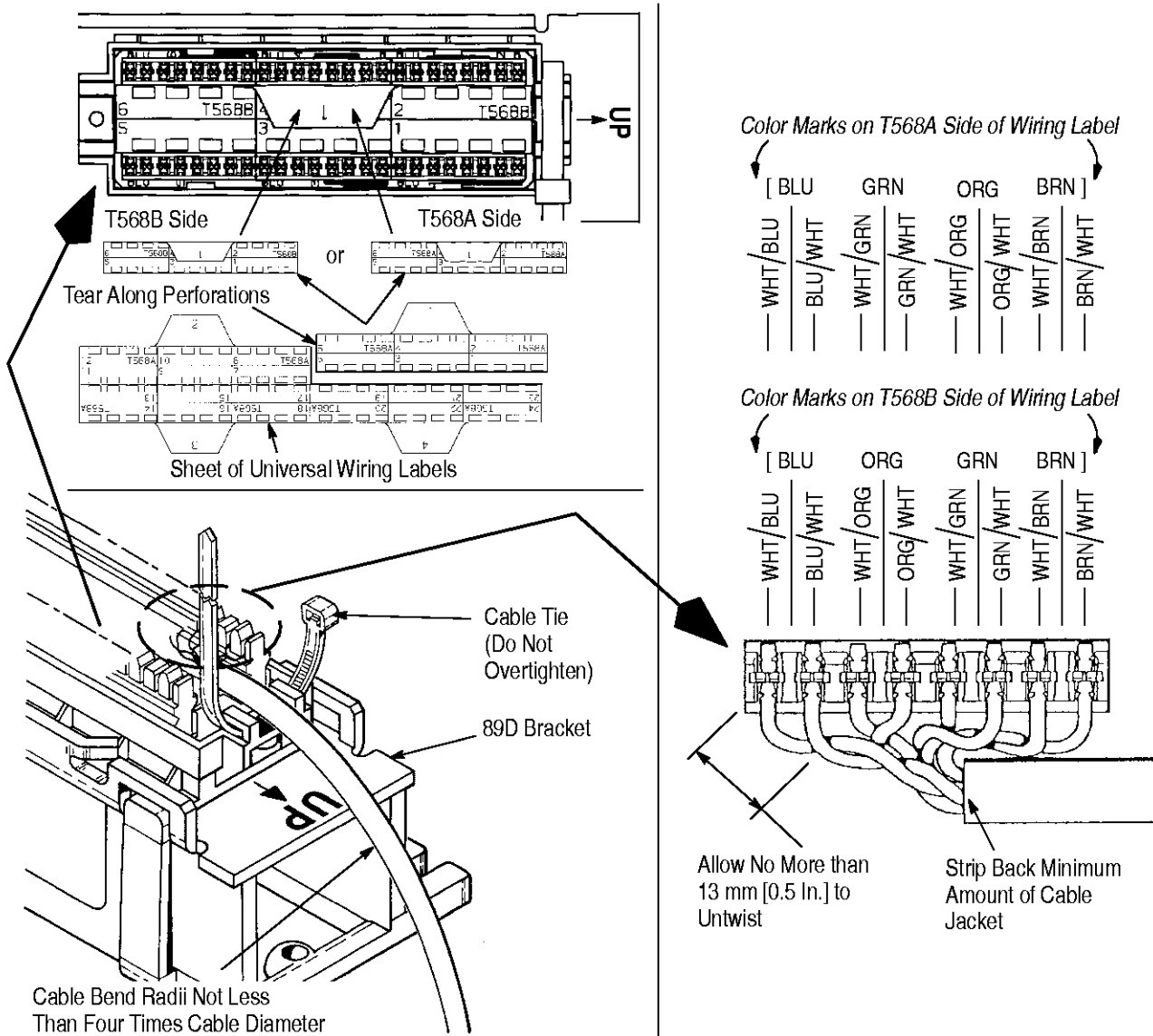


Figure 2

4. REMOVAL PROCEDURE

Release latch of 89D bracket from patch panel with flat-bladed screwdriver as shown in Figure 3.

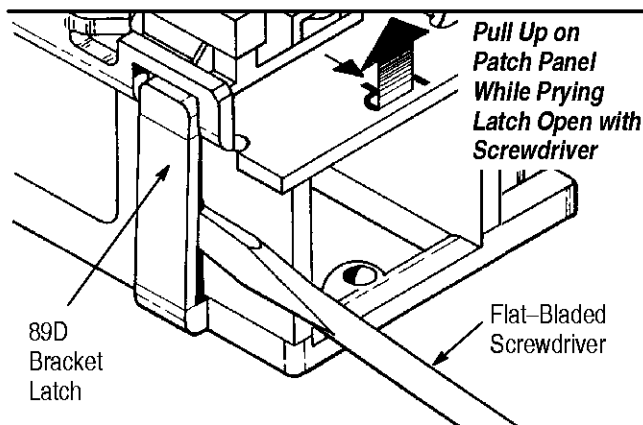


Figure 3

5. REVISION SUMMARY

Revisions to this document include:

Per EC 0990-0892-97:

- Removed optional front label kit information and illustration from Figure 1
- Changed illustration of bezel label and added bezel label cover in Figure 1
- Changed illustration of housing in Figure 1
- Added bezel label covers in DESCRIPTION
- Added Section 5, REVISION SUMMARY