

# FTTX Solutions

## DLX™ Fiber Optic Connector System



**DLX Connector**



**DLX Drop Cables**



**Mini MST**

TE Connectivity's (TE) DLX™ Fiber Optic Connector System is a Next Generation system of plug and play connectors, adapters, converters, terminals and pre-connectorized cable designed to speed deployment and improve cost efficiencies throughout the Outside Plant (OSP) fiber network.

The DLX system features miniaturized hardened connectors, which support the use of smaller terminals that take up less space on poles, hand holes, ONT's and other installation locations. These smaller connectors also allow for smaller holes for passing drops through walls and structures, and can pass through smaller conduits. This minimizes construction costs and speeds residential connections in the Fiber-To-The-Premises (FTTP) cabling network.

The DLX connector system expedites connections between the terminal and the home, and provides easy access for testing, maintenance and re-configuration for troubleshooting or service upgrades. Using the DLX system of factory terminated cable assemblies and terminals, service providers have the ability to turn up service quickly, often without the need of a highly skilled splice technician.

The rugged DLX connectors are hardened to protect from harmful outside plant elements—including UV, moisture and chemical exposure—and are backward compatible with existing hardened and non-hardened connector systems.

### Features and Benefits:

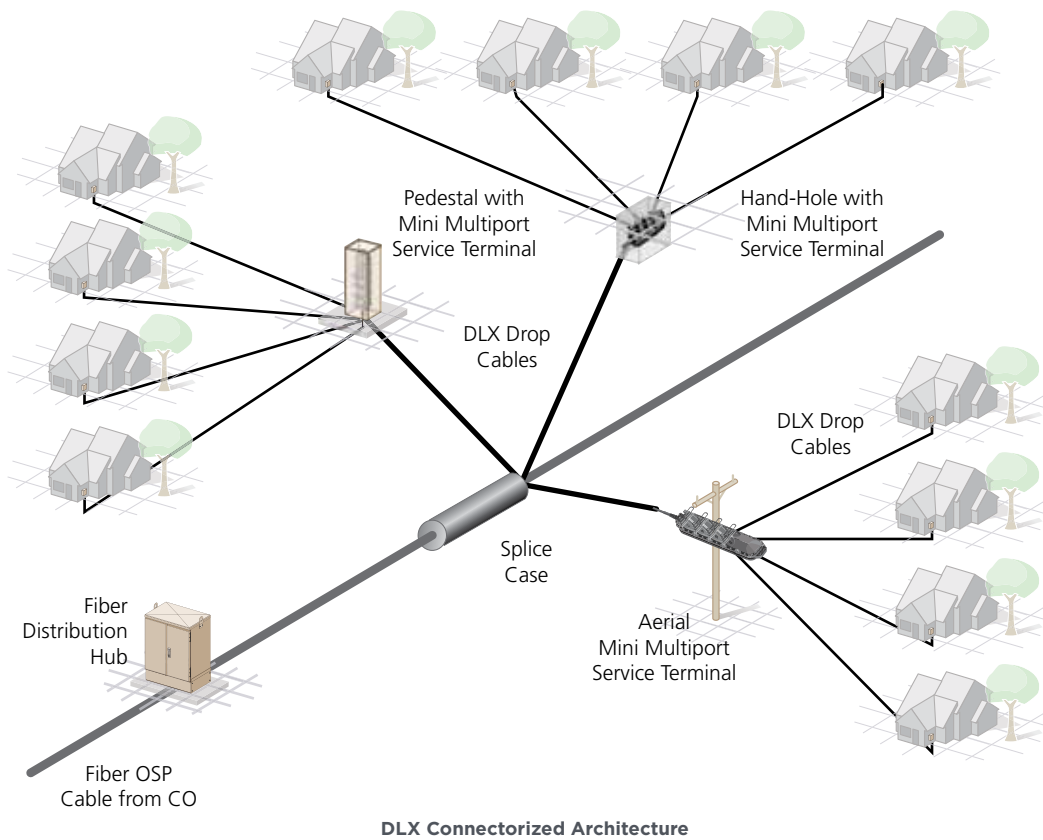
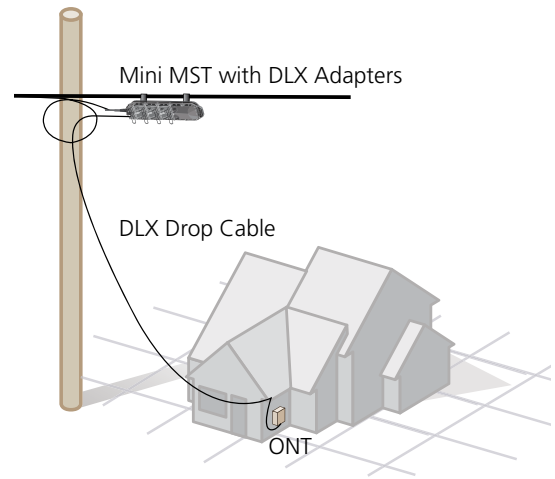
- Smaller adapter enables smaller enclosure and smaller multiport terminal, takes up less space on poles, in hand holes and in an ONT
- Smaller connector drops fit in smaller conduit, requires smaller hole in dwelling, allow less intrusive entry into the residence, and provide an easier and more secure connection
- The DLX connector is fully backward compatible with legacy full-sized hardened adapters through the use of a converter
- The DLX connector is compatible with SC connectors and adapters. A converter is available to provide additional strength for DLX-SC connections
- Variety of cable options allow cabling choice to be optimized for outdoor aerial or underground applications

# FTTX Solutions

## DLX™ Fiber Optic Connector System

### Benefits

- The ultimate “Plug-and-Play” solution for durable and reliable service connection in the outside plant/drop segment of the network
- Technician-friendly and greatly simplifies installation and maintenance by minimizing splicing required on the distribution side of the network
- Cost effective solutions that provide for lower overall installed costs throughout the FTTX network
- Facilitates easy troubleshooting as maintenance can be done at the Mini MST by simply unplugging a connector



# FTTX Solutions

## DLX™ Fiber Optic Connector System

### DLX Connector

The DLX Connector can be mated with any SC adapter to provide a low loss optical connection. It can also be plugged into a standard SC connector using the DLX adapter. The connector design is based on standard SC single mode ferrule and spring assembly in a miniature rugged body. The connector is designed with a dual-locking feature that includes a push-pull detent engagement and twist-lock secure retention. The connector has a keying feature to allow it to be fully seated in the adapter in only one orientation, therefore, ensuring proper alignment and mating of 8 degree APC ferrules. Once the connector is pushed inside the adapter and passed the detent latch, the user will feel a distinctive latching engagement within the adapter. Screwing the coupling nut to the adapter provides a firm and secure connection. The connector contains an O-ring to provide a water tight seal when engaged with the adapter. The connector is supplied with a protective cap with an integrated pulling eye to protect the end face during installation. The DLX connector design is offered with a choice of cables thus providing the user with flexibility in selecting the appropriate cable for the application.



DLX Connector



DLX Connector, DLX Adapter and SC/APC Connector

### DLX Adapter

The DLX adapter is a heavy duty plastic case environmentally sealed for extreme weather conditions. One side of the adapter receives the hardened DLX connector and the other side is designed to receive a standard SC connector plug. The SC side of the adapter provides a rugged stationary SC receptacle per standard industry specifications. The DLX adapter has an opening designed specifically to receive the DLX connector and to provide a sealing surface for the connector O-ring.

The adapter's inner body holds two retainers and a split sleeve using snap latches and provides the plug with both push-pull and twist-lock engagement. The inner body also contains detent latch and alignment features that guide and hold the DLX connector inside the adapter. A locknut and O-ring are used to mount the adapter onto a panel or bulkhead. Keying features on the outside of the adapter keep it from rotating in a panel.



DLX Adapter

### DLX Adapter Converters

TE's DLX Adapter Converters offer full compatibility and intermateability with both OptiTap® hardened connector systems and SC non-hardened connector systems.

The DLX connector to full sized hardened adapter converter consists of a converter housing and a nut that easily slide over the DLX connector in the field. The converter housing is threaded onto the DLX connector to secure it in the proper position for interface to the full sized hardened adapter. The nut sits on the converter housing and is used to provide the threaded locking interface to the full sized hardened adapter.



DLX Connector to Full Sized Hardened Adapter Converter

The DLX connector to SC adapter converter consists of a converter housing that can easily be threaded onto to the DLX connector in the field. The DLX connector to SC adapter converter then allows the assembly to be connected to a standard SC adapter. The DLX connector to SC adapter assembly provides a unique locking feature that seats the assembly into the SC adapter with a push-pull locking engagement.



DLX Connector to SC Adapter Converter

# FTTX Solutions

## DLX™ Fiber Optic Connector System

### DLX Drop Cables

TE's DLX Drop Cable utilizes miniature fiber optic connectors to speed deployment of outside plant fiber cabling networks. The compact, DLX connector design allows the drop cable to be installed in tight conduit space, and requires smaller, less intrusive holes in buildings. This minimizes the need for construction and ensures more cost savings when service turn up is required. The miniature connectors also allow the use of smaller enclosures and service terminals—allowing more flexibility for installing on poles, hand holes and other space limited environments.

DLX Drop Cables are ruggedly designed and hardened to protect from extreme outside plant temperatures, moisture and chemicals. Backward compatible with older generations of hardened and non-hardened connector systems, DLX Drop Cable integrates seamlessly into existing fiber optic networks. DLX Drop Cable is available in a variety of cable types including dielectric and locatable/toneable hardened cable.



**DLX - Flat Drop Cable Assembly**

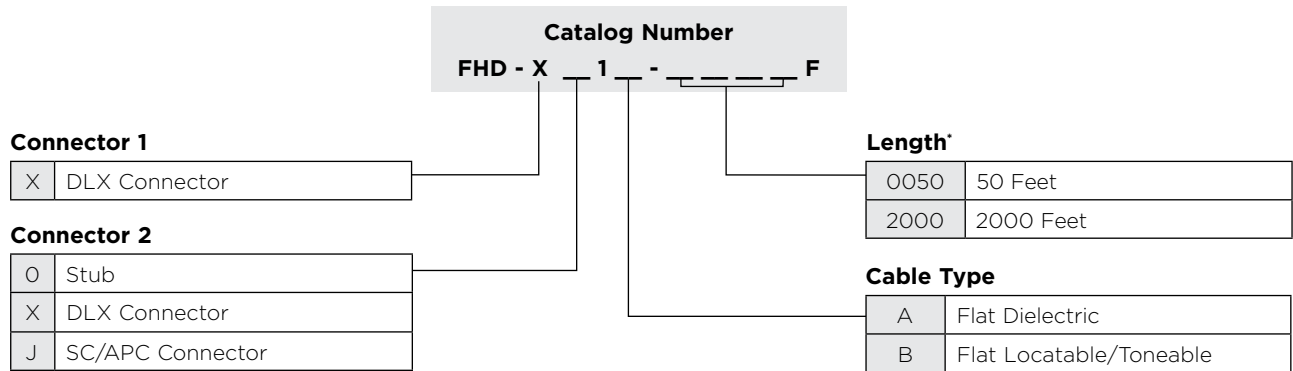
#### Features

- Single-fiber, single-mode hardened connector SC APC drop cable assemblies
- Available with one or both ends connectorized
- Available standard lengths – from 50 to 2000' increments (longer assemblies available upon request)
- Environmentally sealed connector
- Easy connection to hardened adapters on terminals or closures
- Pulling eye on connector cap is designed for 100 lb. maximum pulling tension
- DLX connector designed to GR-3120 specifications

#### Benefits

- Provide the ultimate “Plug and Play” solution for durable and reliable service connection in the outside plant/drop segment of the network
- Technician-friendly to greatly simplify installation and maintenance by minimizing splicing required on the distribution side of the network
- Cost effective solutions that provide for lower overall installed costs throughout the FTTX network
- Connector can be pulled through smaller conduit space
- Full compatibility with commonly used SC adapters
- Full backward compatibility with legacy full-sized hardened connectors

### DLX Drop Cable Ordering Information



\*Cable lengths shown are for example; additional cable lengths are available in feet or meters upon request

### Cable Accessories

#### ORDERING INFORMATION

Description	Catalog Number
<b>Converter Kits;</b> Bag of converter parts include:	
25 DLX connectors to full size hardened adapter converters and 25 nuts	DLX-OPT-CONV-25
25 DLX connectors to SC adapter converters	DLX-SC-CONV-25

### DLX Specifications

<b>Primary Requirements:</b>	Designed to GR-326 Generic Requirements for SM Optical Connector Designed to GR-3120 Generic Requirements for Hardened Fiber Connector TIA/EIA 604-3a Optic Connector Intermateability Standard Type SC Designed to GR-771 Generic Requirements for Fiber Splice Closures GR-63 Generic Requirements for Network Equipment Building Standards GR-20 Generic Requirements for Single Mode Fiber Optic Cables
<b>Minimum Hole Size for Connector:</b>	0.625 inches
<b>Latching:</b>	Keyed alignment Dual latching, push-pull detent, twist-lock secure long term connection
<b>Physical Contact:</b>	Angled Polished Contact (APC), standard 8 degree angle
<b>Attenuation::</b>	≤ 0.4 dB
<b>Return Loss:</b>	≤ 65 dB
<b>Retention Force:</b>	25 lbs

# FTTX Solutions

## Mini Multiport Service Terminals (MSTs)

### Mini Multiport Service Terminals (MSTs) with DLX Adapters

The Mini MST incorporates DLX™ hardened adapters resulting in a much smaller terminal package than available with previous generations of full sized hardened connectors and adapters. Mini MSTs are environmentally sealed terminals that withstand all the rigors of the OSP environment. The terminals are factory-terminated with individual connectors and provided with a stub cable for splicing in the field.

The Mini MST is available in 4-port, 6-port, 8-port and 12-port configurations. The stub cable lengths range from 50' to 2000'. The terminal connector ports are clearly marked with numbers for quick drop cable connections, and the hardened adapters are factory cleaned and compatible with DLX connectors.

Each Mini MST ships standard with TE's Universal Mounting Bracket (UMB). The UMB provides a flexible means of installing the terminal in pole-mount, strand-mount and in below ground hand-hole-mount applications using standard fasteners.



Mini MST with Universal Mounting Bracket



Pedestal Mount



Pole Mount



Hand Hole Mount

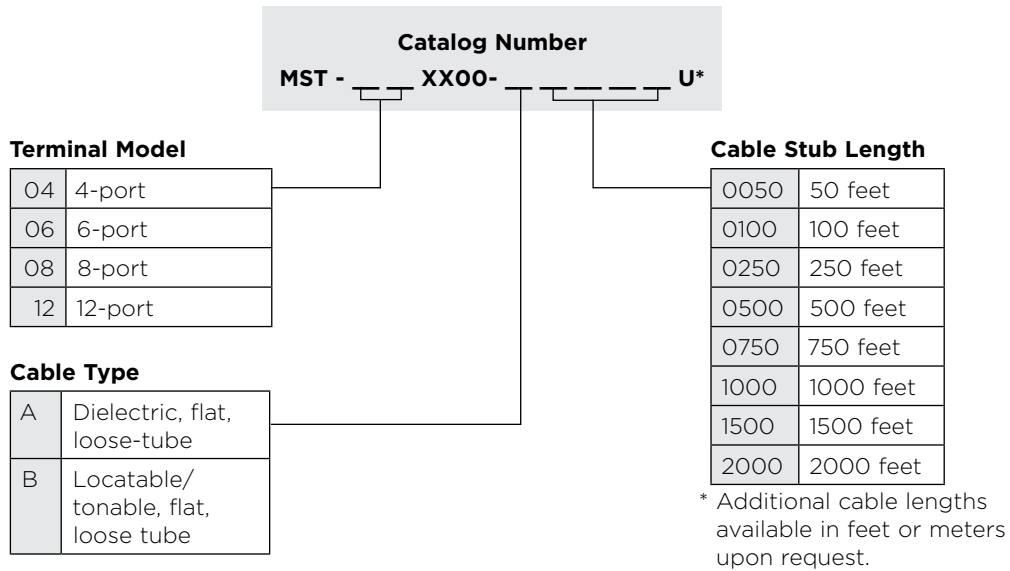
### Features and Benefits

- Mini MSTs with DLX adapters are much smaller than previous multiports, take up less space on the pole and reduce space requirement for hand-holes
- Factory terminated high quality and high performance connectors
- Mini MST connectors are terminated using reduced bend radius fiber to ensure high performance within the miniature package
- Flexible choice in number of ports: 4-, 6-, 8- or 12-port terminals
- Flexible choice in cable lengths: 50' to 2000' (10 m to 1000 m)
- Universal Mounting Bracket for the Mini MST facilitates installation in pole, strand and hand hole mounting
- Sealed, hardened enclosure provides long-lasting environmental protection
- External strain relief boot provides additional strength for feeder cable connection

# FTTX Solutions

## Mini Multiport Service Terminals (MSTs)

### Mini MST Ordering Information



### Mini MST Accessories



Universal Mounting Bracket

### Ordering Information

Description	Catalog Number
<b>Universal Mounting Bracket;</b> Provides for simple, secure, economical and rapid terminal installation in any FTTP deployment. Designed for pole, pedestal, hand hole or strand applications. Dimensions: 11.7" x 5.1" x 2.0" (29.7 x 12.9 x 5.1 cm)	MST-UMB-MINI
<b>Strand Mount Bracket;</b> Enables aerial mount installation of Mini MST	MST-ACC-M02

## DATA SHEET

### Contact us:

TE Connectivity Ltd.  
P.O. Box 1101  
Minneapolis, Minnesota  
USA 55440-1101  
Tel: 1-800-366-3891  
Tel: 1-952-938-8080  
Fax: 1-952-917-3237

[www.te.com/adc](http://www.te.com/adc)  
[www.tycoelectronics.com](http://www.tycoelectronics.com)  
[www.us.telecomosp.com](http://www.us.telecomosp.com)



ADC is now TE Connectivity

TE Connectivity, TE connectivity (logo), Tyco Electronics, TE (logo), ADC and DLX are trademarks of the TE Connectivity Ltd. family of companies and its licensors.

While TE Connectivity has made every reasonable effort to ensure the accuracy of the information in this document, TE Connectivity does not guarantee that it is error-free, nor does TE Connectivity make any other representation, warranty or guarantee that the information is accurate, correct, reliable or current. TE Connectivity reserves the right to make any adjustments to the information contained herein at any time without notice. TE Connectivity expressly disclaims all implied warranties regarding the information contained herein, including, but not limited to, any implied warranties of merchantability or fitness for a particular purpose. The dimensions in this document are for reference purposes only and are subject to change without notice. Specifications are subject to change without notice. Consult TE Connectivity for the latest dimensions and design specifications.

© 2011 Tyco Electronics Corporation, a TE Connectivity Ltd. Company. All Rights Reserved.

106573AE 5/11 Revision © 2011, 2010, 2008